

H3-MABACT0062

3-200MHz 50Ω 1:1 Balun

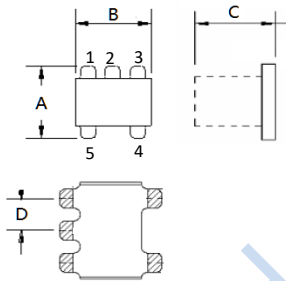
• APPLICATIONS

• Ideally suited for high volume cellular and wireless applications.

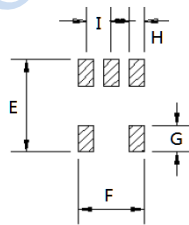
• FEATURES

- Surface mount
- Impedance ratio: 1:1
- Available on tape and reel
- RoHS compliant and Pb free
- 260°C reflow compatible
- CT on Secondary

DIMENSIONS



Land Pattern



A	B	C
3.81	3.81	2.90 Max
D		
1.27		

E	F	G
4.83	3.30	1.40
H	J	
0.76	1.27	

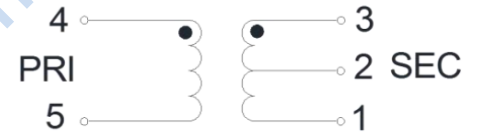
Unless otherwise stated dimensions are in mm

Tolerance: .xx ± 0.25, .xxx ± 0.05

ELECTRICAL SPECIFICATIONS@25°C:

Parameters (P#: ENA PORT)	frequency band	Min.	Typ.	Max.	Unit
Port Impedance, Z0 (P1 / P2 / P3)			50/25/25		Ohm
Insertion Loss	3-50MHz		0.2	0.5	dB
	50-160MHz		0.5	1.0	dB
	160-200MHz		0.8	1.2	dB
Return Loss	3-200MHz	10.0	18.0		dB
	5-100MHz	15.0	20.0		dB
Amplitude Balance	3-50MHz		0.0	0.1	dB
	50-200MHz		0.1	0.5	dB
Phase Balance (Nominal 180°)	3-50MHz		0.2	1.5	Deg
	50-200MHz		0.5	5	Deg

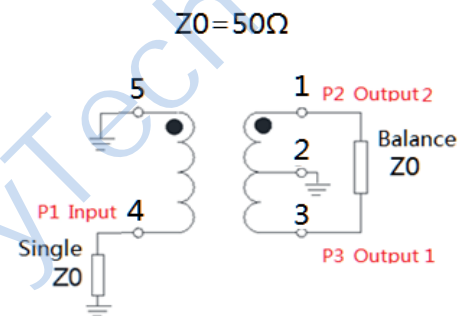
FUNCTIONAL SCHEMATIC



PIN CONFIGURATION

Pin No.	Function
1	Secondary Dot
2	Secondary CT
3	Secondary
4	Primary
5	Primary Dot

APPLICATION & TEST CIRCUIT



ABSOLUTE MAXIMUM RATINGS

Parameter	Value
Input Power	250mW MAX
DC Current	30mA MAX
Operating Temperature Range	-40 to 85°C

TEST CURVE

