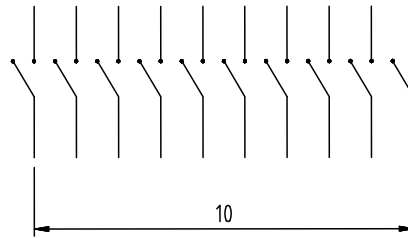
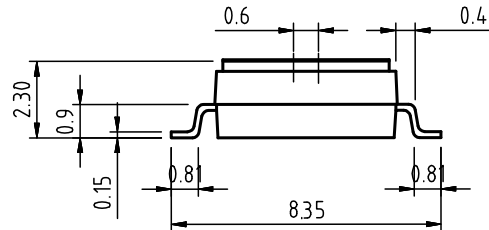
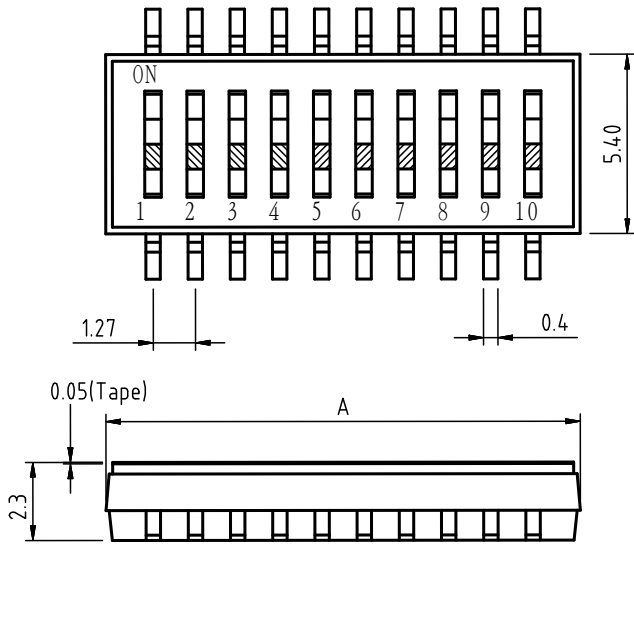
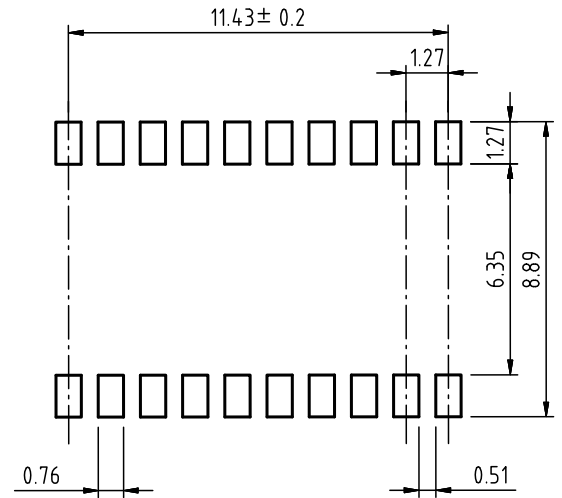


◆ SCHEMATIC



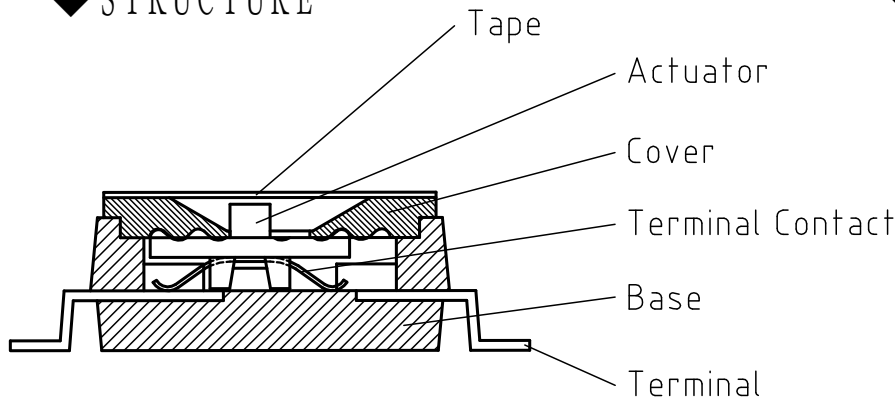
◆ P.C.B LAYOUT



Poles(N) A Dimension(mm)

01	2.87
02	4.12
03	5.41
04	6.66
05	7.93
06	9.20
08	11.74
10	14.28
TOLERANCE:±0.1mm	

◆ STRUCTURE



◆ MATERIAL

Part Name	Material	Finished
Base	PPS UL94 V0	Black
Cover	PPS UL94 V0	Black
Actuator	Nylon UL94 V0	White
Movable	Beryllium	3μ " Gold
Terminal Contact	Brass	3μ " Gold
Terminal	Brass	3μ " Gold
Tape	Polyimide	Amber

DSHP-XX- TSGER

Packing:T:Tube R:Reel
 Finish:E:1u-3u F:10u
 Finish G-Full Gold S-Contat Gold plated
 Terminal S:SMD H:Straight
 Actuator T(Tape sealed) S (Low profile W/0 Tape) L (Extension)
 HP:Haif-Pitch IC:IC PV:Piano WB:WB

new		2015/5/3	A	瀚源		
ECN BO.		DESCRIPTION.	DATE.		REV.	
DESIGNED	CHECKED	APPROVAL	DRAWING NUMBER	SCALT: 1/2	SCALE: 3:1	
Mikey	Tom	Jerry	PART NAME	DSHPXXTSGER	UNLESS OTHERWISE SPECIFIED,TOLERANCE:	X. ±0.25
			MODEL NAME	DSHPXXTSGER		X.x ±0.20
			3RD ANGLE PROJ	HanElectricity Co.,LTD		X.xx ±0.15
					FILE.NO.	