

## H3-MAPDCT0027

5-1000MHz 75Ω 2 Way Power Divider

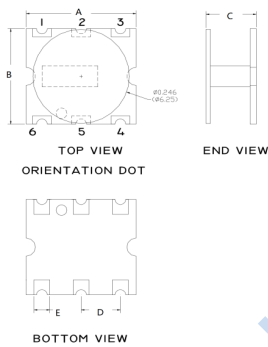
### APPLICATIONS

- Ideally suitable for CATV applications.

### FEATURES

- Surface mount
- 2 Way 0 degree
- 260°C reflow compatible
- RoHS compliant and Pb free
- Available on tape and reel

### DIMENSIONS

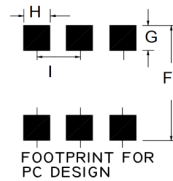


A	B	C
7.11	6.35	3.25
D	E	
2.54	1.02	

Unless otherwise stated dimensions are in mm

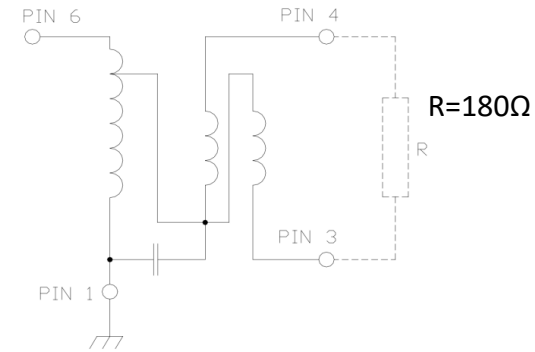
Tolerance: .xx ± 0.25, .xxx ± 0.05

### PCB LAYOUT



F	G	H
7.87	1.78	1.27
I		
2.54		

### FUNCTIONAL SCHEMATIC



### PIN CONFIGURATION

Pin No.	Function
1	Ground
2	Not connected (ground)
3	Output 2
4	Output 1
5	Not connected (ground)
6	Input

### ELECTRICAL SPECIFICATIONS@25°C:

Parameters (P#: ENA PORT)	frequency band	Min.	Typ.	Max.	Unit
Port Impedance, Z0			75		Ohm
Insertion Loss(Above 3dB)	5-500MHz		0.4	0.7	dB
	500-1000MHz		0.7	1.0	dB
Input Return Loss	5-700MHz	25	33		dB
	700 - 870 MHz	22	30		dB
	870 - 1000 MHz	18	26		dB
Output Return Loss	5-40MHz	15	24		dB
	40 - 1000 MHz	119	25		dB
Isolation	5-500MHz	20	27		dB
	500 - 1000 MHz	15	20		dB
Amplitude Balance	5-500MHz		0.28	0.40	dB
	500 - 1000 MHz		0.32	0.60	dB
Phase Balance	5-1000MHz		1	3	Deg

### ABSOLUTE MAXIMUM RATINGS

Parameter	Value
Input RF Power	1W Max
DC current	240mA Max
Operating Temperature Range	-40 to 85°C
Storage Temperature Range	-55 to 100°C

## TEST CURVE

