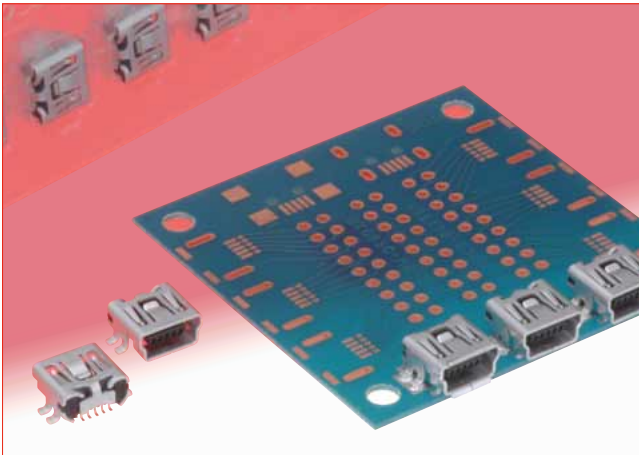


USB 2.0 Standard Connectors

UX Series



Meets requirements of USB 2.0 Standard
USB 2.0 certified



■ Features

1. Compatible to USB 2.0 Standard

The UX series connectors are certified by a certification organization specified by the USB Association.

The connectors are able to meet high-speed transmissions up to 480 Mbps, delivering optimal PC peripheral connections.

2. Low skew structure

An equal electrical length design between twisted pairs (contact numbers 2 and 3) for both the receptacles and the plugs provides for a theoretical zero skew. (Fig.1)

3. No heat-shrink tube needed

The wire termination section of the plug is fixed on the mold. In addition Hirose's unique metal shield structure allows the over-mold resin to easily flow into the wire termination section preventing short circuits from occurring even without using heat shrink tubing. This feature allows shortening of the length of untwisted part resulting in impedance unmatching at the wire termination sections.

4. Easy to handle plug

The plug is a snap lock type that gives a clear tactile click, assuring secure connector mating. The over-mold section also has a thin structure for space saving.

5. Metal shield for SMT or DIP mounting

Metal shields with either SMT or solder dip type are available to match the PCB design.

6. With or without positioning boss

Versions with or without positioning bosses can be selected to match the PCB design.

7. Suitable for automatic mounting

A heat resistant tape for vacuum pickup is applied to the receptacle allowing for the use of automatic mounting machines. Receptacles without tape are also available.

8. RoHS compliant

All materials and substances used to produce this product comply with RoHS standards.

Equal electrical length design(between twisted pairs)

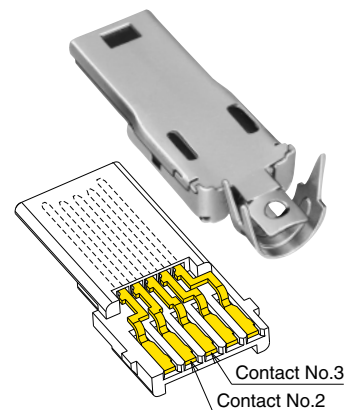


Fig.1

Ideal for the connection of personal computer peripherals

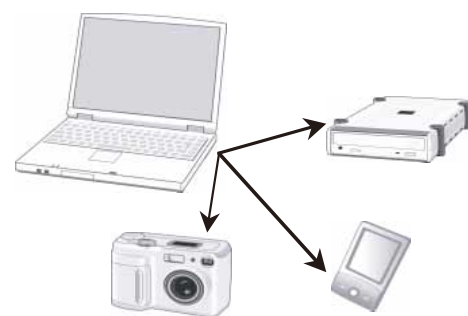


Fig.2

■Product Specifications

| | | | | |
|---------|----------------|--------|-----------------------------|----------------------|
| Ratings | Voltage rating | 30V AC | Operating temperature range | -30 to +75°C (Note1) |
| | Current rating | 1A | | |

| Item | Specification | Conditions |
|--|---|--|
| 1.Contact resistance | 50mΩ max. | 100mA |
| 2.Insulation resistance | 100MΩ min. | 100V DC |
| 3.Withstanding voltage | No flashover or insulation breakdown | 100V AC / 1 minute |
| 4.Capacitance | 2pF max. | Measure between adjacent contacts at 1,000 ±10Hz |
| 5.Total insertion/ withdrawal force | Insertion force : 35N max. Withdrawal force : 7N min. | Measure with an applicable connector. |
| 6.Durability (mating/unmating) | With corresponding HRS connector. Contact resistance : 70mΩ max. Withdrawal force : 3N min. | 5,000 cycles |
| 7.Vibration | No electrical discontinuity of 1μs or longer No damage, cracks or parts dislocation. | Frequency 10 to 55Hz, single amplitude of 0.75mm, 2 hours in each of the 3 axial directions |
| 8.Random vibration | | Frequency 50 to 2,000Hz, 3 directions for 15 minutes each. |
| 9.Shock | | Acceleration of 490m/s ² , 11ms continuous time, sine half-wave, 3 cycles in each of the 6 directions |
| 10.Heat Shock | Contact resistance : 70mΩ max. | Temperature : -55°C → +20°C to 35°C → +85°C → +20°C to 35°C Time : 30min. → 2 to 3 min. → 30 min. → 2 to 3 minutes 10 cycles |
| 11.Temperature cycle | Insulation resistance : 10MΩ min. (when dry) | 7 cycles (168 hours) at -10 to 65°C , humidity of 93 ± 3% |
| 12.Salt spray | Contact resistance : 70mΩ max. | 48 hours, 5% solution of salt water |
| 13.Solderability | Wet state, solder coverage area 95% min. | Solder temperature 245°C, immersion time 2 to 3 seconds |

Note 1 : The term "storage" refers to connectors stored for a long period of time prior to mounting and use.

■Materials / Finish

●Receptacle

| Part | Material | Finish | Remarks |
|------------------------|-----------------|---|---------|
| Insulator | Synthetic resin | Color : Black | UL94V-0 |
| Contacts | Copper alloy | Contact area : Gold plated Lead area : Gold plated | ——— |
| Metal shield | Copper alloy | Tin alloy plated | ——— |
| Tape for vacuum pickup | Polyamide | ——— | ——— |

●Plug

| Part | Material | Finish | Remarks |
|-------------------|-------------------|---|---------|
| Insulator | Synthetic resin | Color : Black | UL94V-0 |
| Contacts | Copper alloy | Contact : Gold plated Wiring side : Tin alloy plated | ——— |
| Metal shield | Steel | Tin alloy plated | ——— |
| Over-mold (Note1) | PVC resin (Note2) | Color : Black (Note3) | ——— |

Note 1 : Single over-molded plug is not available as over-mold is created when forming the connector together with harness assembly.

Note 2 : Halogen-free material is also available.

Note 3 : Various colors are available for over-molds and cables. Contact our sales department for details.

■ Product Number Structure

Refer to the chart below when determining the product specifications from the product number.
Please select from the product numbers listed in this catalog when placing orders.

● Receptacle

UX 60S C - MB - 5 S T
 ① ② ③ ④ ⑤ ⑥ ⑦

● Plug

UX 40 A - MB - 5 P
 ① ② ⑧ ④ ⑤ ⑥

● Plug harness

UX 40 A - MB - 5 P A - 1000 - 1001
 ① ② ⑧ ④ ⑤ ⑥ ⑨ ⑩ ⑪

| | |
|--|--|
| ① Series name | UX series |
| ② Contact termination style | 60S : SMT type 40 : Solder termination type |
| ③ Receptacle shape/type | C : Standard type |
| ④ Connector type | MB : Type Mini B |
| ⑤ Number of contacts | 5 : 5 contacts |
| ⑥ Contact gender | S : Female P : Male |
| ⑦ Metal shield shape | T : SMT type 8 : Solder DIP type |
| ⑧ Plug serial symbol | A : Type for thick cable |
| ⑨ Type of connector on the opposite-side | A : Standard A |
| ⑩ Cable length | 1000 : 1000mm(Note 1) |
| ⑪ Additional type number | |

Note 1 : Optional cable lengths of up to 3000mm are available.
Contact our sales department for details.

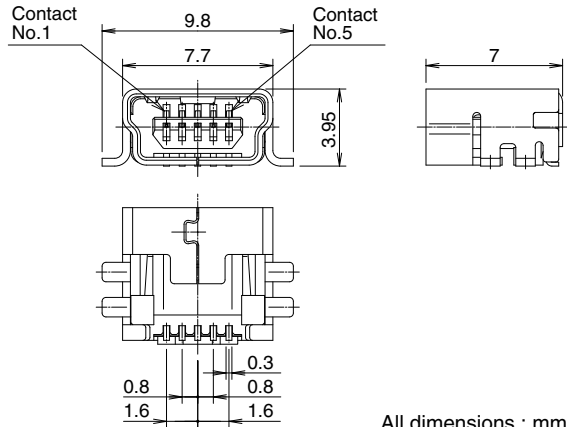
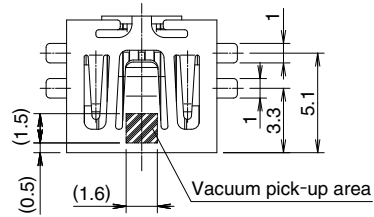
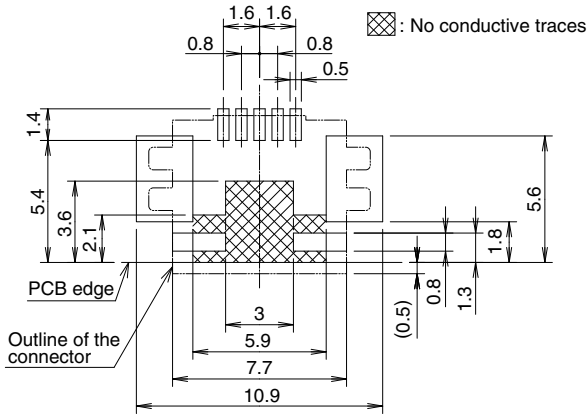
● Receptacle - Standard – Shell SMT



| Part No. | HRS No. | RoHS |
|-------------------|---------------|------|
| UX60SC-MB-5ST(80) | 240-0016-6 80 | ○ |

Note 1 : Tape and reel packaging (1,500pcs/reel).
Order by number of reels.

◆ Recommended PCB mounting pattern



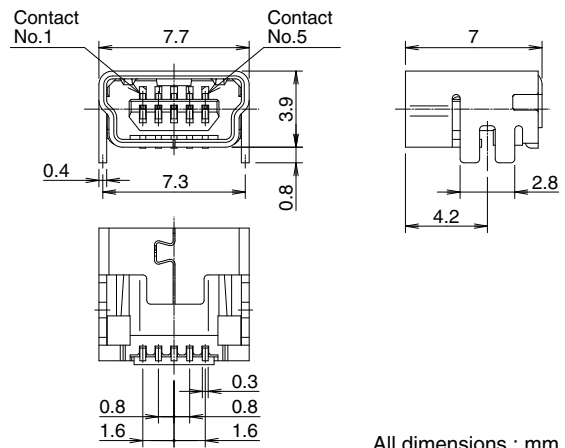
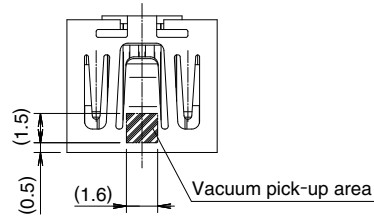
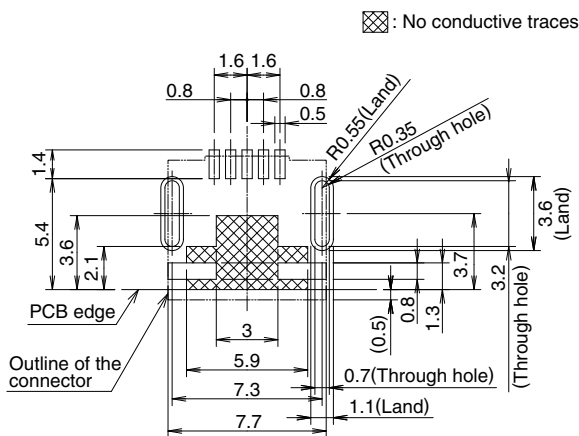
● Receptacle - Standard - Shell through Hole



| Part No. | HRS No. | RoHS |
|-------------------|---------------|------|
| UX60SC-MB-5S8(80) | 240-0020-3 80 | ○ |

Note 1 : Tape and reel packaging (1,000pcs/reel).
Order by number of reels.

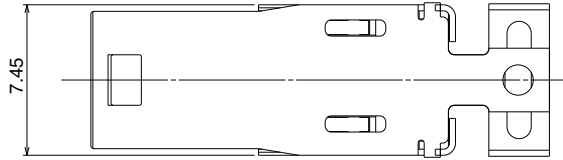
◆ Recommended PCB mounting pattern



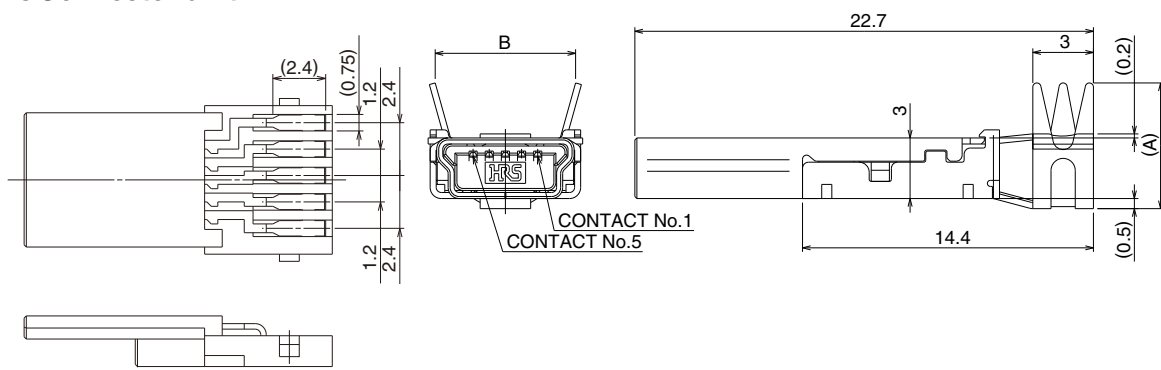
■ Plug



● Assembled state



● Connector unit



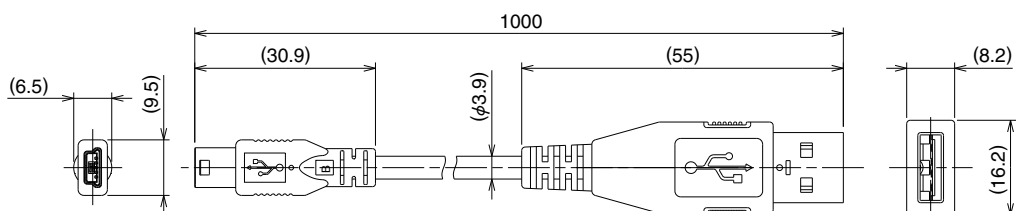
| Part No. | HRS No. | Dimension A | Dimension B | Applicable cable(Note) | RoHS |
|-------------|------------|-------------|-------------|------------------------|------|
| UX40-MB-5P | 240-0004-7 | 6.2 | 6.95 | φ3.5~4.0 | ○ |
| UX40A-MB-5P | 240-0005-0 | 7.85 | 7.85 | φ4.1~4.6 | |

(Note) The applicable cable diameters show approximate values (they may differ due to the insulation hardness).

■ Plug Harness

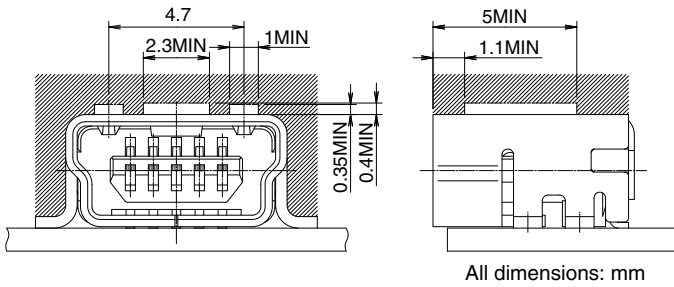


| Part No. | HRS No. | RoHS |
|-----------------------|------------|------|
| UX40-MB-5PA-1000-2003 | 240-2003-5 | ○ |



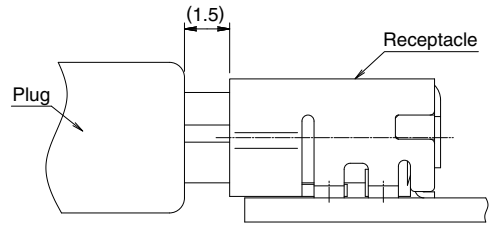
◆ Recommended clearance areas

Dimensions shown in the illustrations below must be free of any materials or components, as this may interfere with the free movement of the ground contacts.



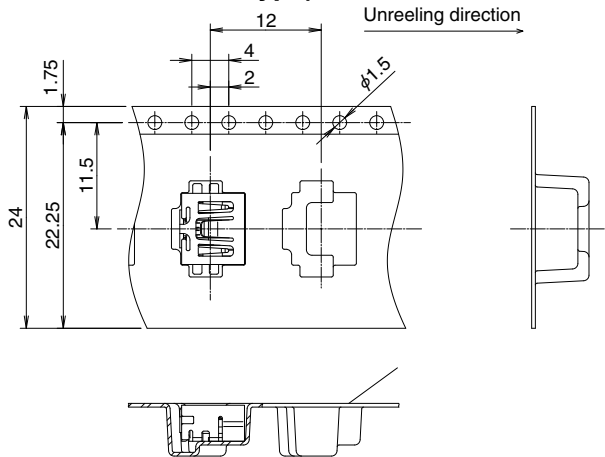
◆ Mated Assembly – Receptacle

● Shown for Reference

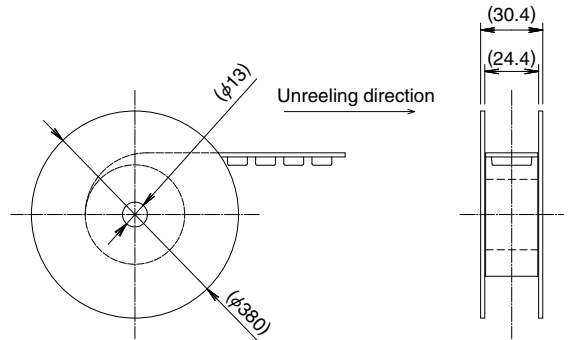


◆ Packaging Specifications (JIS C 0806-3)

● Embossed carrier tape dimensions (The diagram represents a standard type)

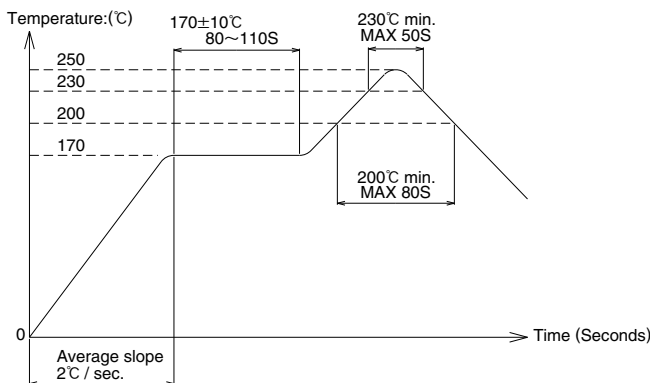


● Reel Dimensions



◆ Recommended temperature profile

● Lead-free solder paste



The temperature profile is based on the shown conditions. In individual applications the temperature may vary, depending on solder paste type, volume/thickness and board size/thickness. Consult your solder paste and equipment manufacturer for specific recommendations.



HIROSE ELECTRIC CO.,LTD.

2-6-3, Nakagawa Chuoh, Tsuzuki-Ku, Yokohama-Shi 224-8540, JAPAN

TEL: +81-45-620-3526 Fax: +81-45-591-3726

<http://www.hirose.com>

<http://www.hirose-connectors.com>