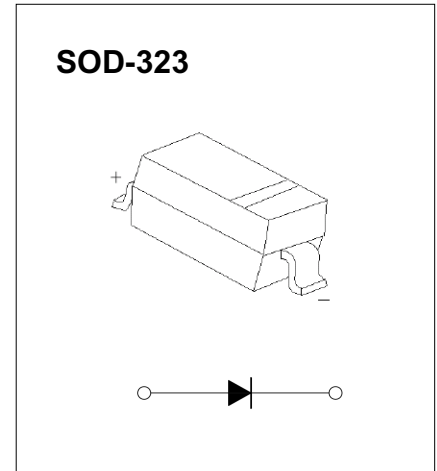


## ■ Features

- High Current Capability
- Low Forward Voltage Drop
- For use in low voltage, high frequency inverters
- Free wheeling, and polarity protection applications

## ■ Mechanical Data

- package:SOD-323
- Polarity: Color band denotes cathode end
- Mounting Position: Any



## ■ Ordering Information

Part Number	Package	Marking	Packing	Quantity per reel	Reel Size
CUS10S30	SOD-323	SK	Tape & Reel	3000 PCS	7 inches

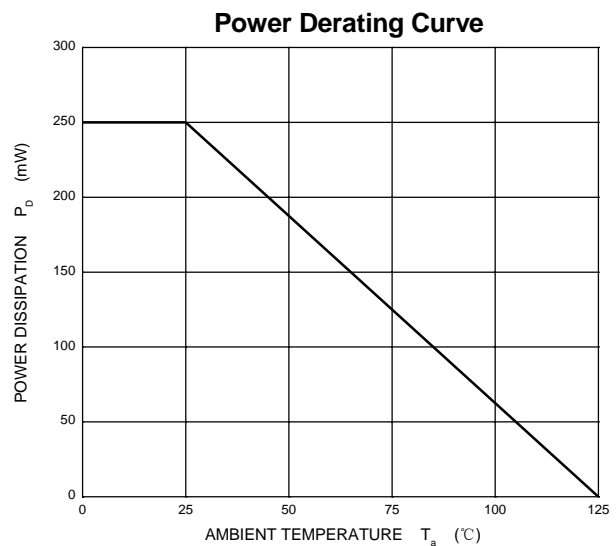
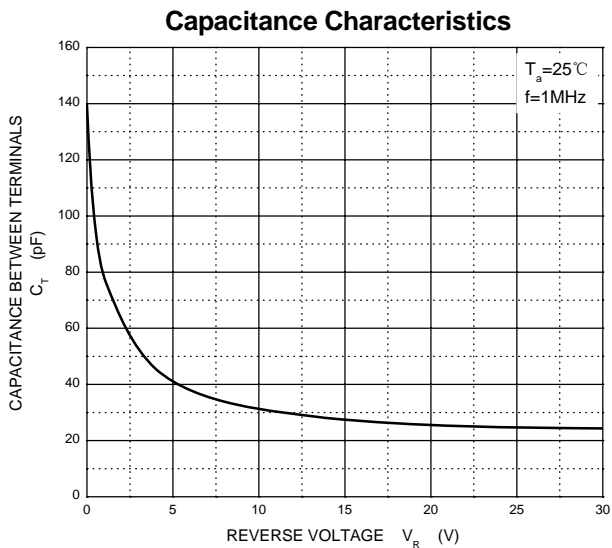
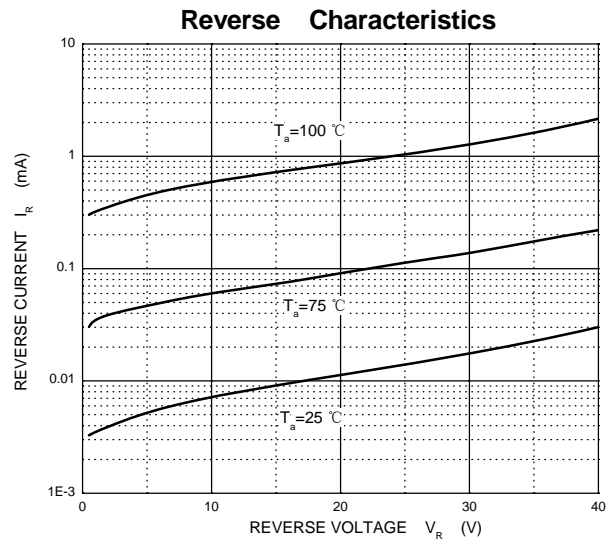
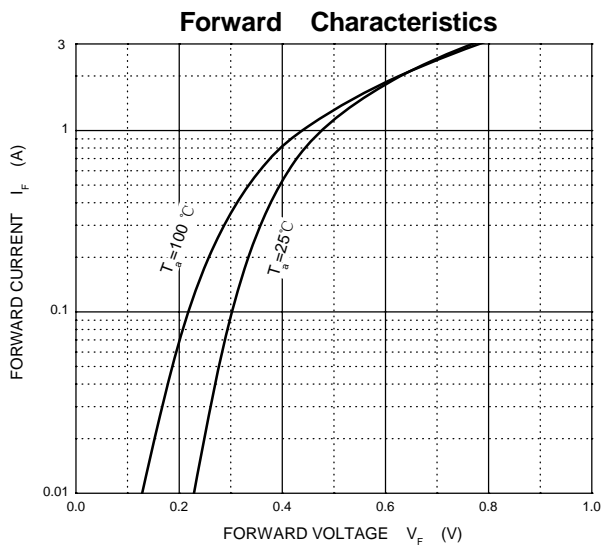
## ■ Maximum Ratings & Thermal Characteristics(Ratings at 25 °C ambient temperature unless otherwise specified.)

Parameters	Symbol	CUS10S30	Unit
Maximum repetitive peak reverse voltage	VRRM	30	V
Maximum RMS voltage	VRMS	21	V
Maximum DC blocking voltage	VDC	30	V
Maximum average forward rectified current	IFM	1	A
Peak forward surge current 8.3ms single half sine-wave	IFSM	9	A
Power Dissipation	PD	400	mW
Typical thermal resistance	R $\theta$ JA	250	°C/W
Operating junction temperature	T <sub>J</sub>	125	°C
Storage temperature range	TSTG	-50-+150	°C

■ **Electrical Characteristics**(Ratings at 25 °C ambient temperature unless otherwise specified)

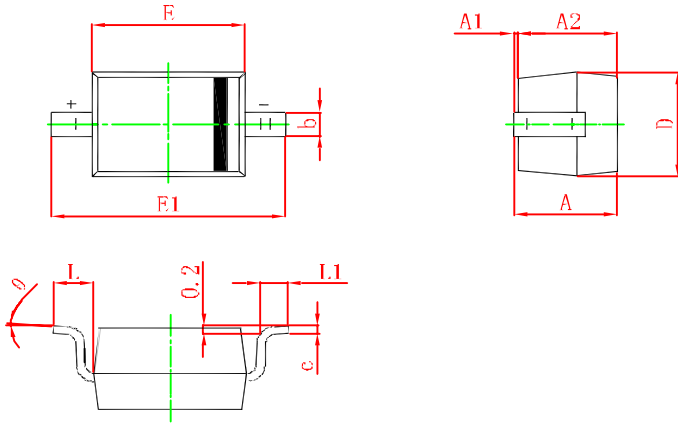
Parameters	Symbol	Test conditions	CUS10S30	Unit
Maximum forward voltage	VF	IF = 1.0A IF = 3.0A	0.550 0.875	V
Maximum reverse breakdown voltage	VR	IR=1mA	30	V
Maximum reverse current	IR	VR=30V CUS10S30	1.0	mA
Type junction capacitance	Cj	VR = 4.0V, f = 1MHz	120	pF

**Typical Characteristics**





■ SOD-323 Package Outline Dimensions



Symbol	Min	Max.(mm)
A		1.000
A1	0.000	0.100
A2	0.800	0.900
b	0.250	0.350
c	0.080	0.150
D	1.200	1.400
E	1.600	1.800
E1	2.500	2.700
L	0.475REF	
L1	0.250	0.400
$\theta$	0°	8°