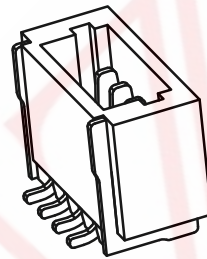
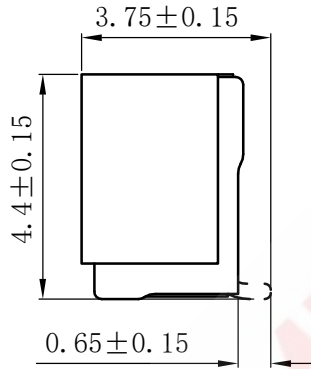
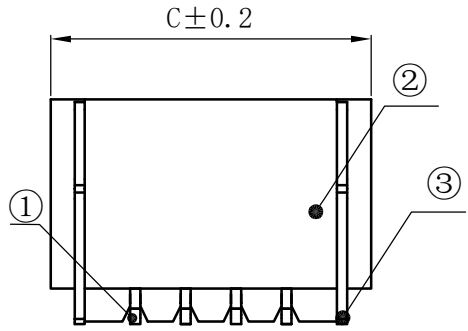


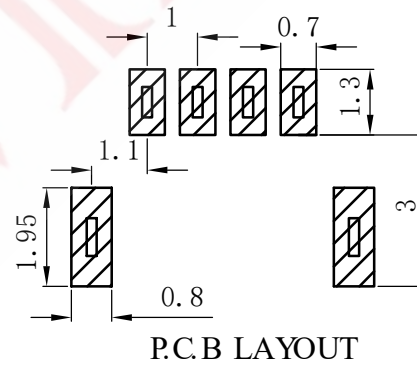
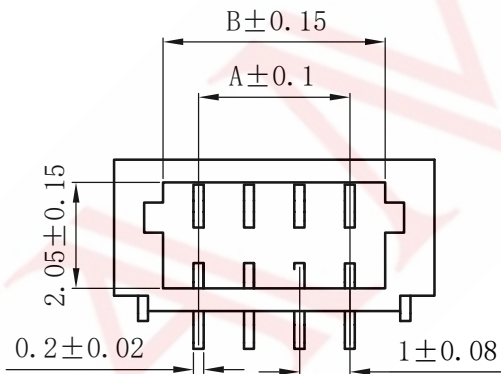
1 SAMZO 2 REAC/ROHS

3		4		5		6		7		8	
REV	ECN NO	DESCRIPTION	DESIGN	APPROVAL	DATE						
A1	NEW	Replace frame			2013.06.21						



6 C F C A * * 0
 A B C D E F

A. SERISE: 6C-SH
 B. SPACING: F-1.0mm
 C. MOUNTING: C-LT
 D. STANDARD: A-WAFER
 E: PIN: 02-2P (02-16P)
 F: CODE: 0-REGULAR

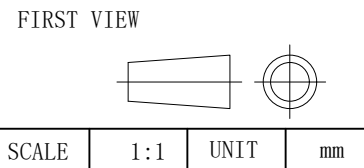


◆ SPECIFICATIONS

- Current rating: 1A AC, DC
- Voltage rating: 50V AC, DC
- Temperature range: -25°C ~ +85°C
- Insulation resistance: 100MΩ Min.
- Withstanding voltage: 200V AC/ minute.
- Contact resistance: 20mΩ Max.

PIN	A-(mm)	B-(mm)	C-(mm)
2P-LT	1.0	2.6	4.4
3P-LT	2.0	3.6	5.4
4P-LT	3.0	4.6	6.4
5P-LT	4.0	5.6	7.4
6P-LT	5.0	6.6	8.4
7P-LT	6.0	7.6	9.4
8P-LT	7.0	8.6	10.4
9P-LT	8.0	9.6	11.4
10P-LT	9.0	10.6	12.4
11P-LT	10.0	11.6	13.4
12P-LT	11.0	12.6	14.4
13P-LT	12.0	13.6	15.4
14P-LT	13.0	14.6	16.4
15P-LT	14.0	15.6	17.4
16P-LT	15.0	16.6	18.4

ITEM	DESCRIPTION	MATERIAL	QTY	FINISH/COLOR					
1	针脚	磷铜	N	高温亮锡					
2	主体	LCP	1	XXX	GENERAL TOLERANCE				
2	焊片	磷铜	1	高温亮锡	≥0~2<	±0.15			
					DESIGN	WANGGUIFA	2018.06.12	≥2~5<	±0.25
					CHECKED	ZHENGUILAN	2018.06.12	≥0~2<	±0.15
					APPROVED	LILIANJIANG	2018.06.14	≥5	±0.35



The copyright belongs to samzo parts [China] Co., Ltd. please use the material after samzo parts agree to authorize. The final right of interpretation belongs to samzo parts. WWW.KKK-JP.COM

TITLE: SH1.0-NP-LT
 DWG NO: 6C-P40
 PART NO: 6C-1138
 MODEL NO: 6CFCA**-0
 NAME: WAFER CONNECTOR

SAMZO COMPONENTS
 Electronic switch and connector manufacturer

