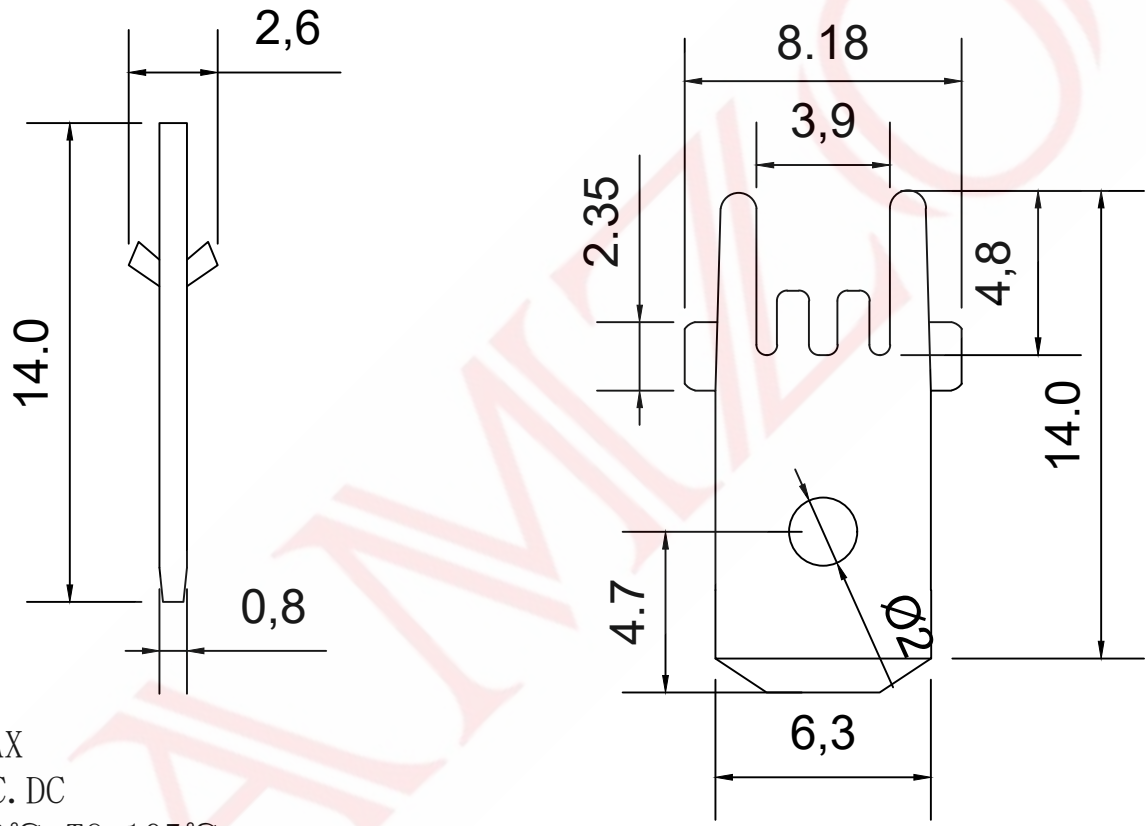


1 SAMZO 2 REAC/ROHS

REV	ECN NO	DESCRIPTION	DESIGN	APPROVAL	DATE
A1	NEW	Replace frame			2023.09.03



TERMINAL:
 >MATERIAL:C2680
 >THICKNESS:0.8mm
 >BAG QTY:5000PCS
 NOTE:

1. CURRENT RATING:20A MAX
2. VOLTAGE RANGE:220V AC.DC
3. TEMPERATURE RANGE:-20℃ TO 105℃

ITEM	DESCRIPTION	MATERIAL	QTY	FINSH/COLOR					
A	主体	黄铜	1	镀锡					
					GENERAL TOLERANCE				
					≥0~2<	±0.15			
					DESIGN	WANGUIFA	2018.06.12	≥2~5<	±0.25
					CHECKED	ZHENGUILAN	2018.06.12	≥0~2<	±0.15
					APPROVED	LILIANJIANG	2018.06.14	≥5	±0.35

FIRST VIEW

SCALE 1:1 UNIT mm

The copyright belongs to samzo parts [China] Co., Ltd. please use the material after samzo parts agree to authorize. The final right of interpretation belongs to samzo parts. WWW.KKK-JP.COM

SAMZO COMPONENTS
 Electronic switch and connector manufacturer

TITLE::	6.3*0.8*14 Ø2
DWG NO:	G63-14P07
PART NO:	G631415000
MODEL NO:	G630-09-3T
NAME:	GASKET