

## GT-HD003A-X X X GX

### DETAIL

A=19pin AF Sink3.45 DIP  
 B=19pin AF Sink2.03 DIP  
 C=19pin AF Sink2.16 DIP

### Shell Material

C=Copper alloy  
 F=Ferroalloy  
 S=Stainless

### Shell Plating

N=Ni  
 G=Gold

### Housing Colour

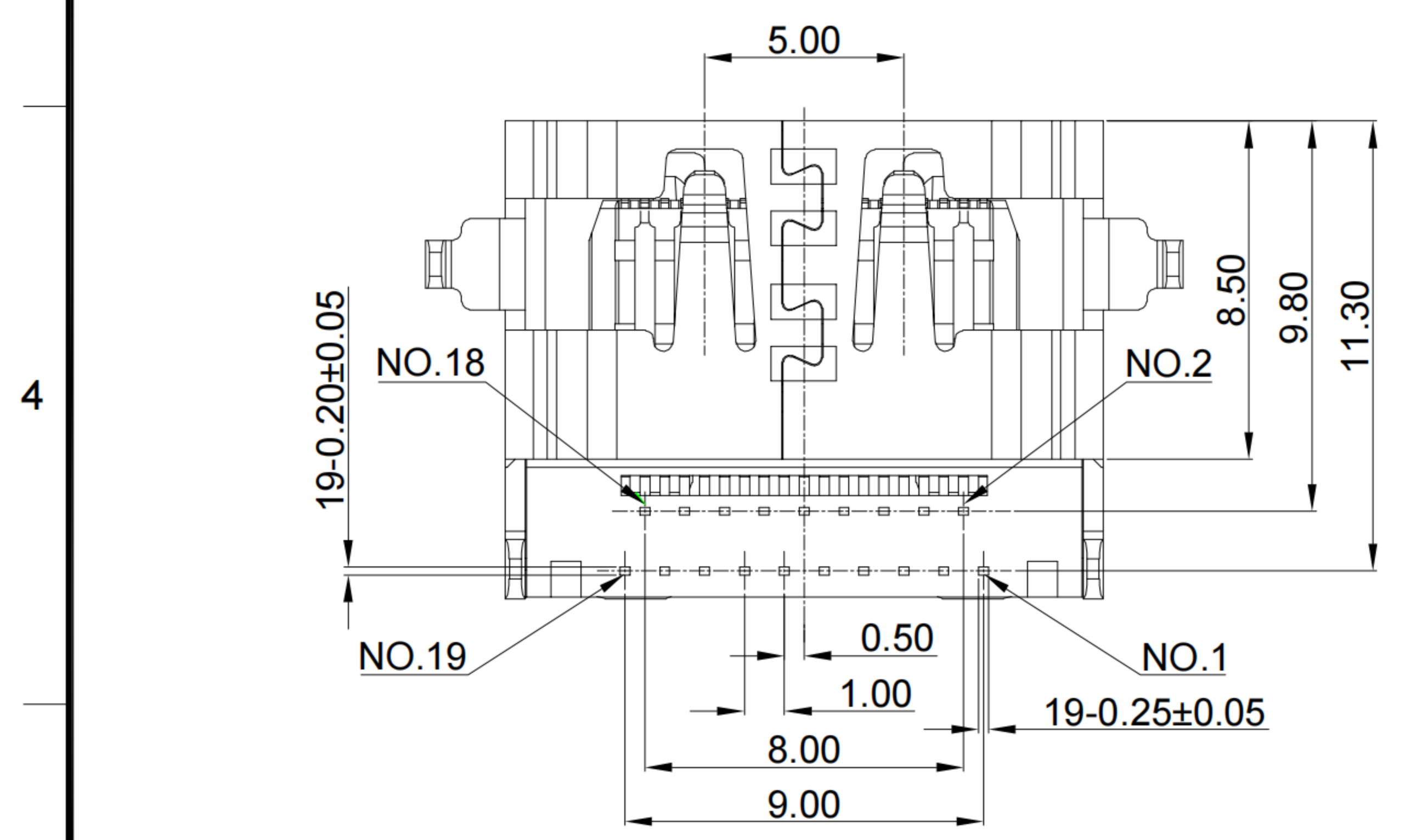
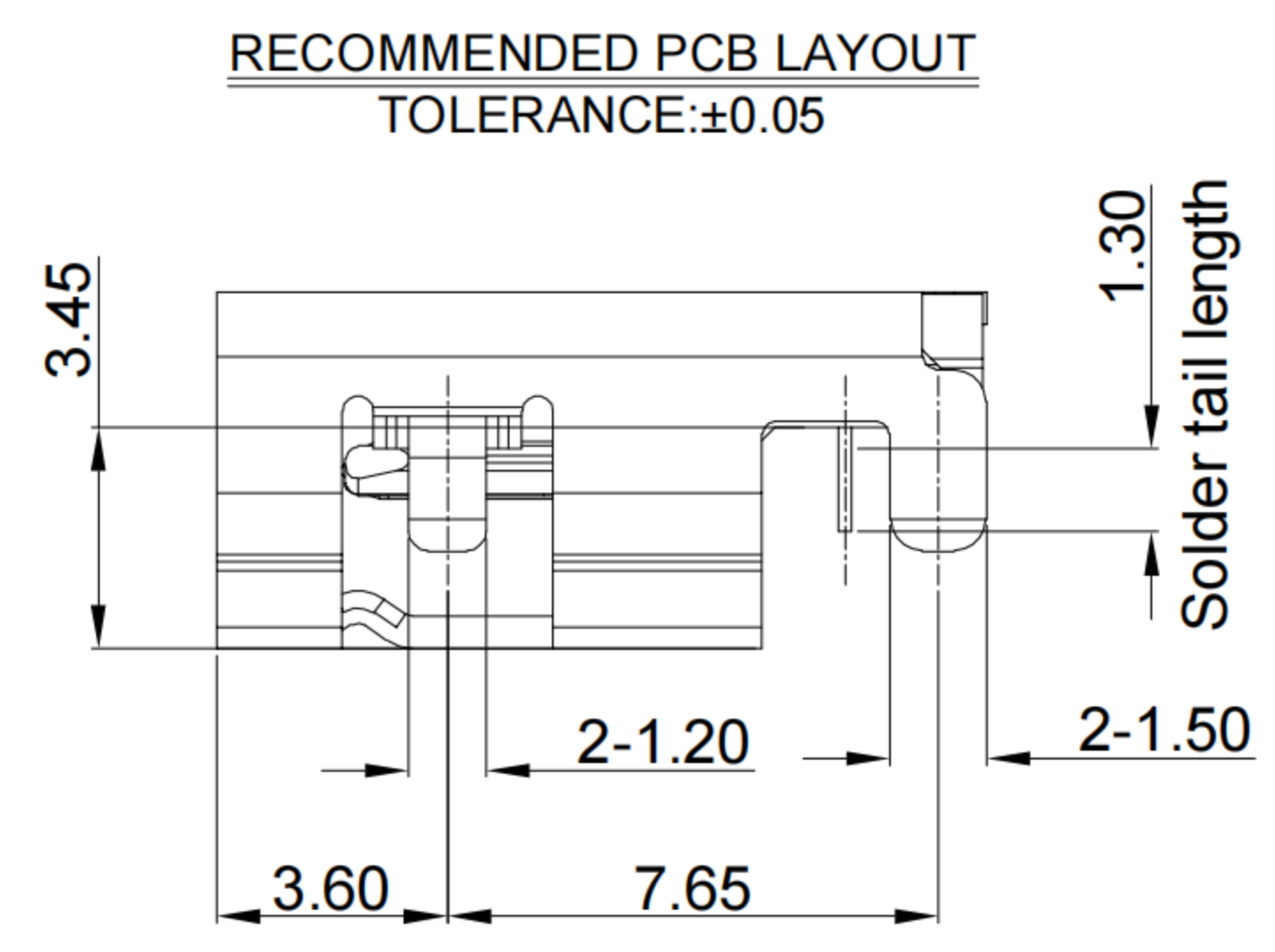
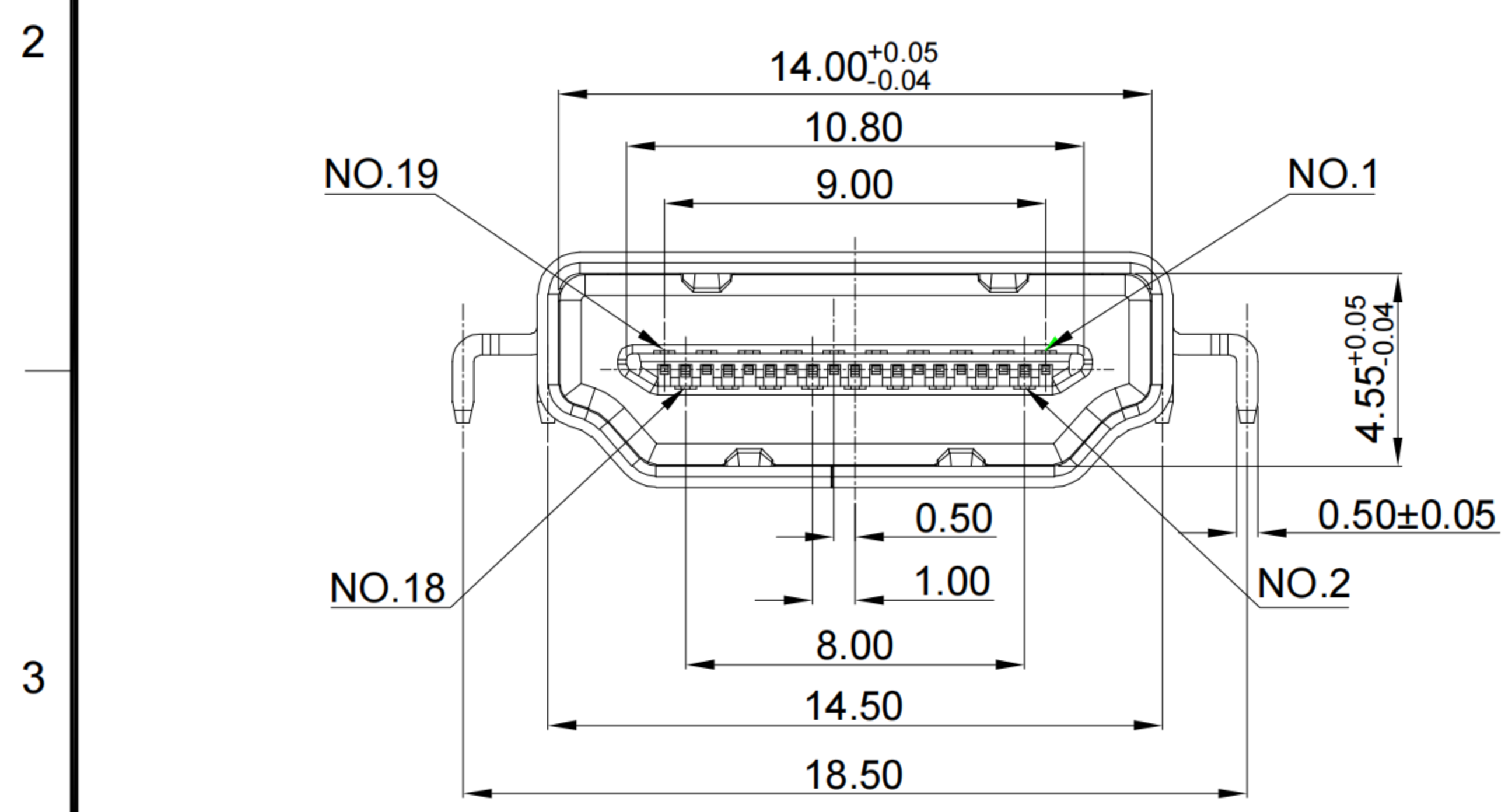
N=Black

### Terminal Plating

G0=G/F  
 G1=1u  
 G3=3u  
 G5=5u  
 G15=15u  
 G30=30u

### G-Switch HDMI Specification:

- 1.Current rated: 1.0A Voltage rating: 24V AC
- 2.Withstanding voltage: 500V AC/minute
- 3.Contact resistance: 30mΩ Max
- 4.Insulation resistance: 100MΩ Min
- 5.Operating temperature: -40°C ~ +85°C
- 6.Mating force: 44.1N
- 7.Unmating force: 9.8N~39.2N,After durability: 3N~25N
- 8.Durability cycle:5,000 cycles



NO.	PARTS	MATERIAL	REMARKS
1	SHELL	--	Ni PLATED
2	HOUSING	HIGH TEMPERATURE PLASTIC	LCP BLACK UL 94 V-0
3	TERMINALS	COPPER ALLOY	Au PLATING ON CONTACT AREA



SCALE: 1:1	UNIT: mm
SIZE: A4	
Unless otherwise General Tolerance:	
X.	±0.35
X.x	±0.25
X.xx	±0.15
X°	±2°

Title: Horizontal HDMI 19P Female Mid-Mout3.45 DIP CH=-0.49 L=12.00mm			
Molde Code: GT-HD0003A-XXXGX			
DRAWN	CHECKED	APPROVED	DATE
Jiang	Xia	Chen	2023.02.01



REV: A0 SHEET: 1/1