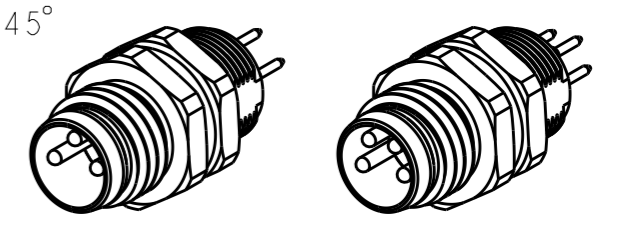
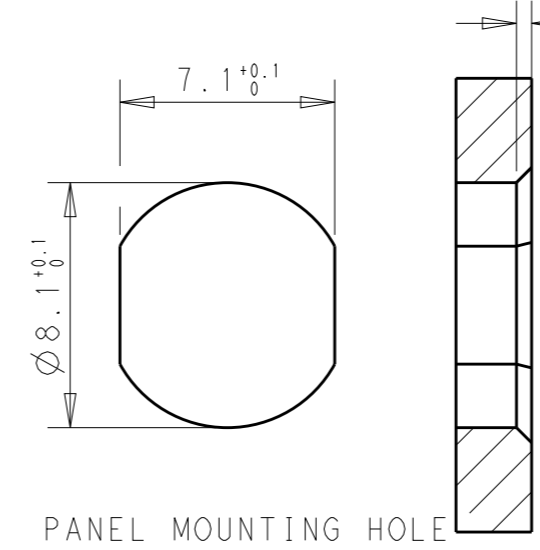
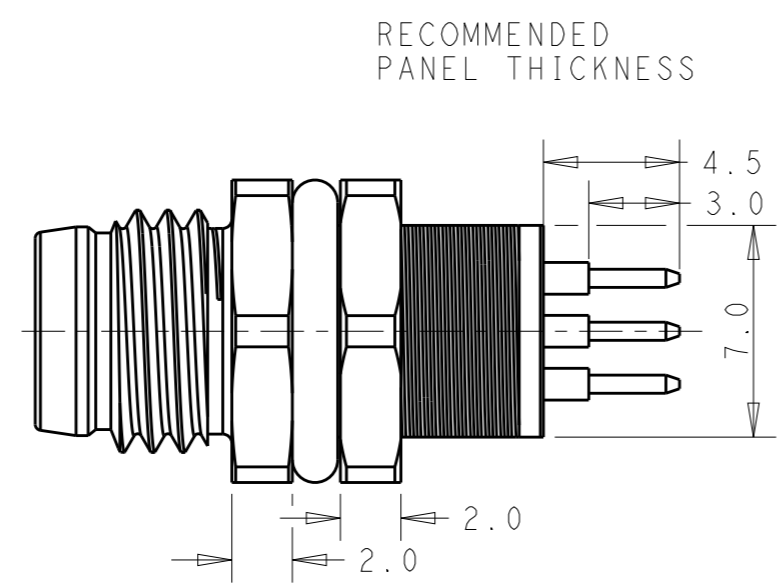
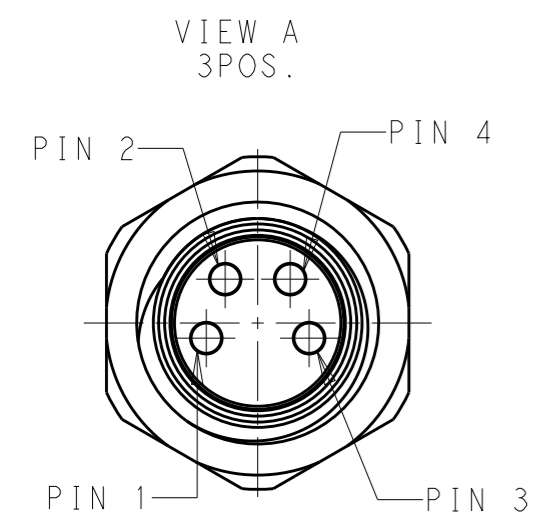
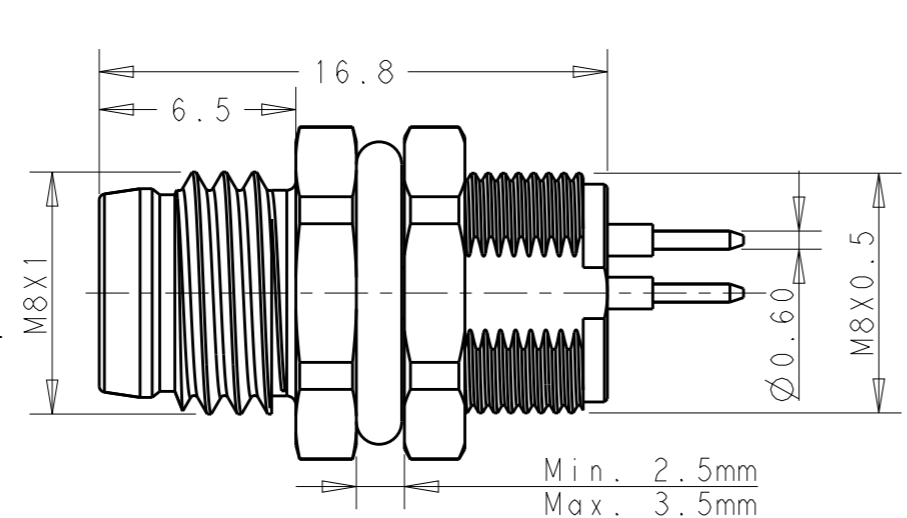
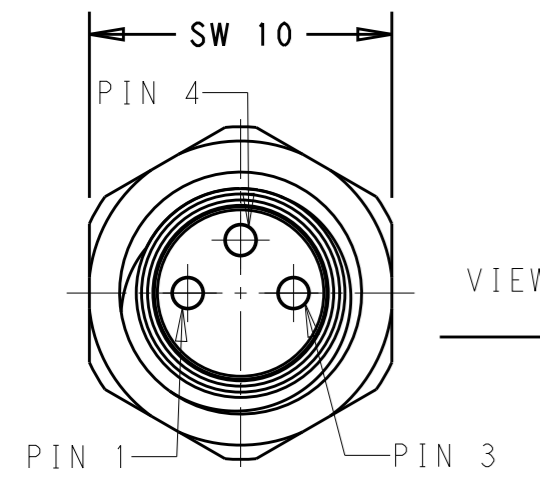


THIS DRAWING IS UNPUBLISHED. RELEASED FOR PUBLICATION 20
 © COPYRIGHT 20 BY - ALL RIGHTS RESERVED.

REVISIONS

P	LTR	DESCRIPTION	DATE	DWN	APVD
	A	INITIAL RELEASE	19DEC2016	N.P	X.X



NOTES:

1. TECHNICAL DATA: SEE TABLE 1
2. ALL PRODUCT MUST COMPLIANCE WITH ROHS AND REACH.

注意事项

1. 技术参数：见表1
2. 产品必须符合ROHS与REACH.

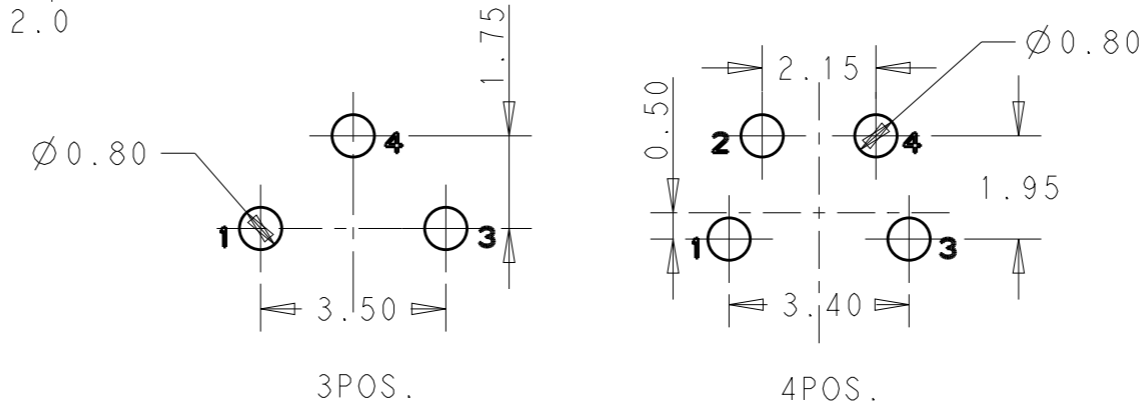


TABLE 1

TECHNICAL DATA	T4042014031-000	T4042014041-000
RATED IMPULSE VOLTAGE	1500V	800V
RATED VOLTAGE	60V	30V
RATED CURRENT	3A	
POLLETION DEGREE	3	
OVERVOLTAGE CATEGORY	II	
MATERIAL GROUP	II	
DEGREE OF PROTECTION	IP67	
TEMPERATURE	-40°C~85°C	

MATERIAL	DESCRIPITON	ITEM
COPPER ALLOY	NUT	5
RUBBER	O-RING	4
COPPER ALLOY	BODY NUT	3
PA66	HOUSING	2
COPPER ALLOY	CONTACT	1

TYPE	POS.	PART NUMBER
RPC-M8-MB-4CON-M8-LBU	4	T4042014041-000
RPC-M8-MB-3CON-M8-LBU	3	T4042014031-000



NAME M8 PANEL CONNECTOR MALE SIDE SOLDER PCB, FRONT MOUNTING			
SIZE A3	CAGE CODE -	DRAWING NO T40420140X1000	RESTRICTED TO -
SCALE 7:1		SHEET 1 OF 1	REV A

THIS DRAWING IS A CONTROLLED DOCUMENT.		DWN Nick Pan 04AUG2016
DIMENSIONS: mm		CHK Kobby Zhao 04AUG2016
TOLERANCES UNLESS OTHERWISE SPECIFIED:		APVD Xiang Xu 04AUG2016
0 PLC ±-	1 PLC ±0.25	PRODUCT SPEC 108-106140
2 PLC ±0.15	3 PLC ±	APPLICATION SPEC 114-137144-1
4 PLC ±	ANGLES ±-	WEIGHT -
MATERIAL TBD material_2	FINISH -	CUSTOMER DRAWING