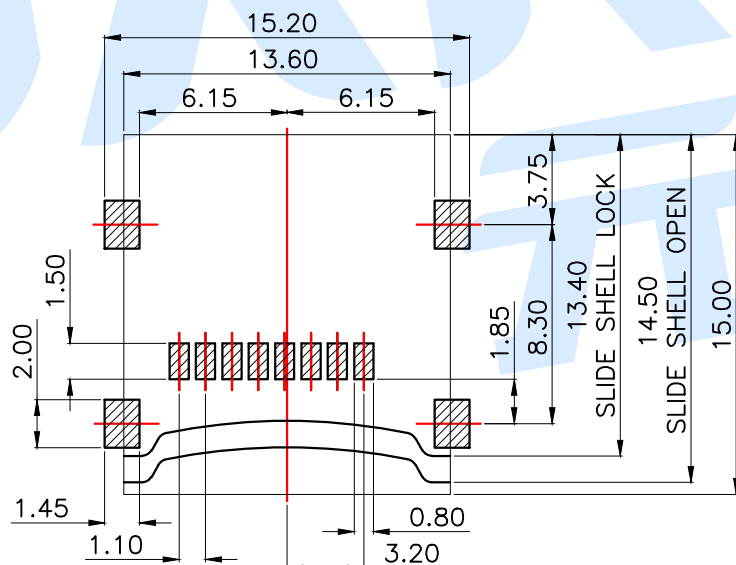
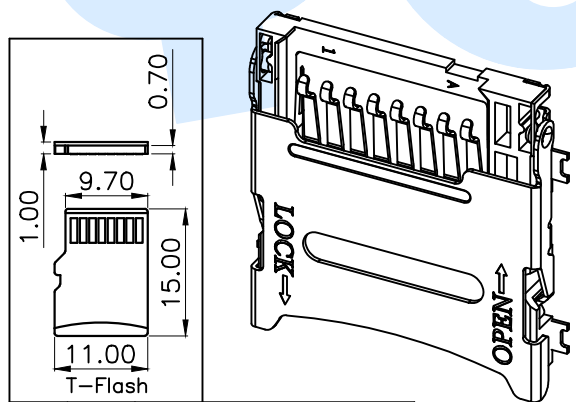
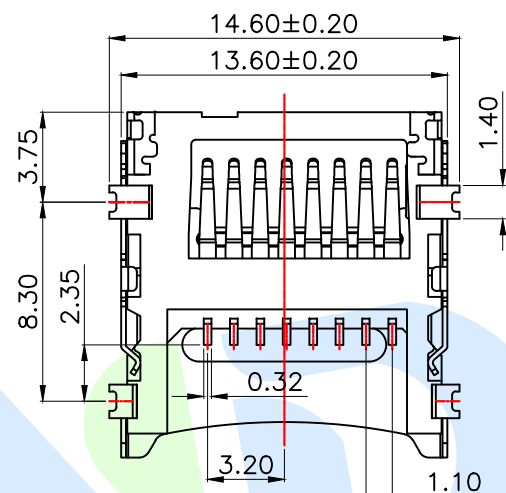
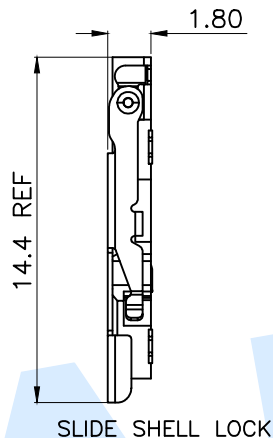
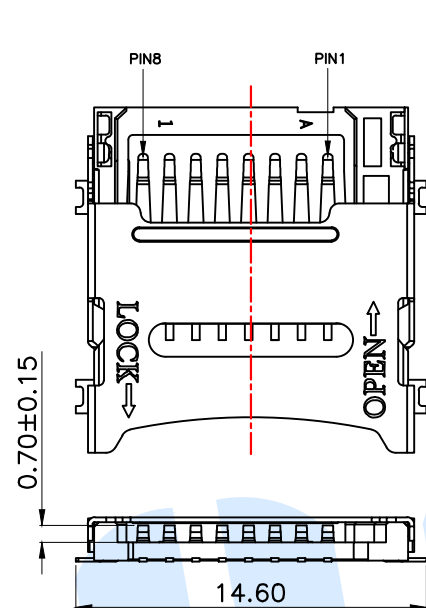


RoHS



RECOMMENDED P.C.B HOLE LAYOUT COMPONENT SIDE VIEW(TOLERANCE: +/-0.05)

□ 产品外形    ▨ 焊盘

Specifications/ 技术规格:

- 1.Current rating/ 额定电流: 0.5A
- 2.Voltage rating/ 额定电压: 100V DC
- 3.Insulation Resistance/ 绝缘电阻: 100MΩ Min
- 4.Dielectric Withstanding/ 耐电压: 500V AC/minute
- 5.Contact Resistance/ 接触电阻: 50mΩ Max
- 6.Durability/ 耐久性: 5,000 Insertions
- 7.Operating Temperature/ 工作温度: -30°C to +85°C

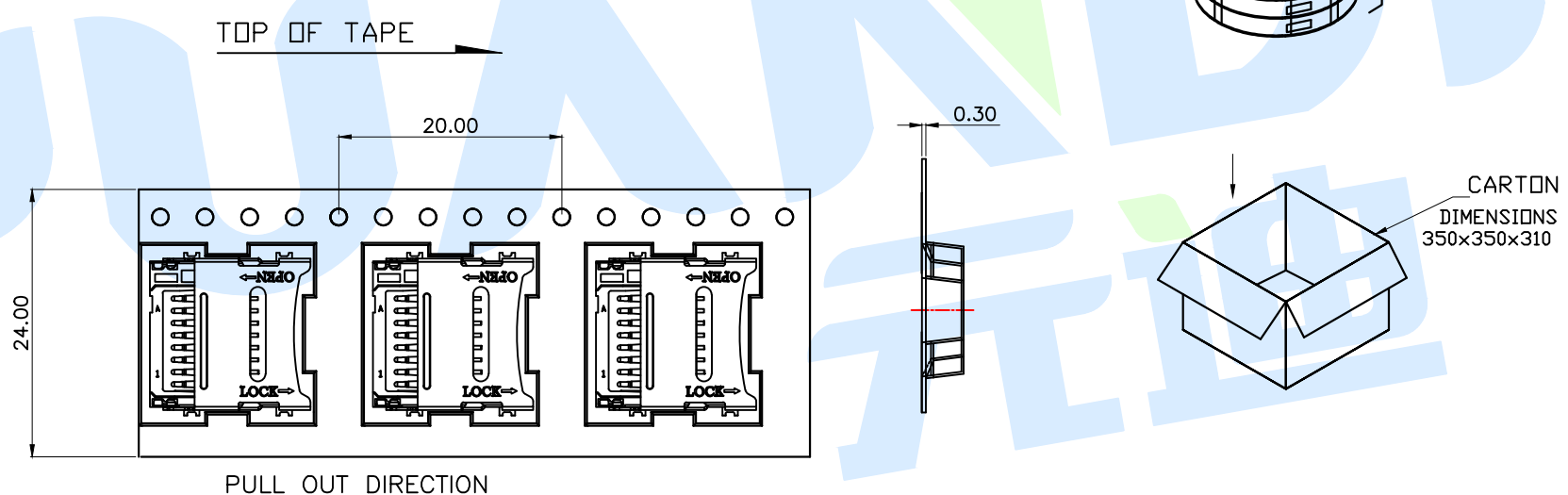
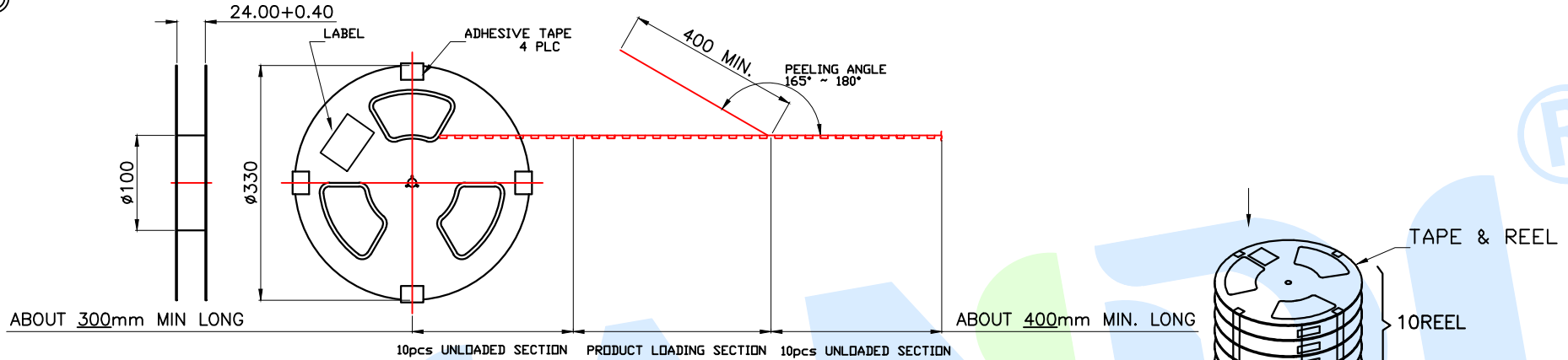
PIN NO.	NAME	YTYPE	DESCRIPTION
1	DAT2	I/O/PP	DATE LINE(BIT2)
2	CD/DAT3	I/O/PP	CARD DETECT DATE LIN(BIT3)
3	CMD	PP	COMMAND RESPONSE
4	VDD	S	SUPPLY VOLTAGE
5	CLX	I	CLOCK
6	VSS	S	SUPPLY VOLTAGE GROUND
7	DAT0	I/O/PP	DATE LINE(BIT0)
8	DAT1	I/O/PP	DATE LINE(DIT1)

NO.	Name	Number	Qty	Materil	Remarks
①	Contact point	1	1	Phosphor bronze	Au Plated
②	Terminal	8	8	Phosphor bronze	Sn Plated
③	Cover	1	1	SUS	
④	Base	1	1	LCP	Black

YUANDI® Yuandi Electronics Co, Ltd

design	date	name	TF CARD CONNECTOR
Review	date	model	TF-06A-H18
Approved	date		

RoHS



NOTES:

1. 20 SPROCKET HOLE PITCH CUMULATIVE TOLERANCE±0.2.
2. MATERIAL: CLARITY CONDUCTIVE POLYSTYRENE ALLOY  
100% RECYCLABLE.
3. ALL DIMENSIONS MEET EIA-481-3 REQUIREMENTS.
4. THICKNESS: 0.25±0.05MM
5. COMPONENT LOAD PER 30.2M" REEL: 1000PCS.
6. 10REEL/CARTON: 10000PCS

YUANDI® Yuandi Electronics Co, Ltd									
design	date	name	TF CARD CONNECTOR						
Review	date	model	TF-06A-H18						
Approved	date	Drawing number:							
angle	±2'	Tolerance not specified							
10~30	±0.30	Proportion	1:1	unit	mm	gape number	A4		
5~10	±0.20								
~ 5	±0.10								