

RoHS

MAPX

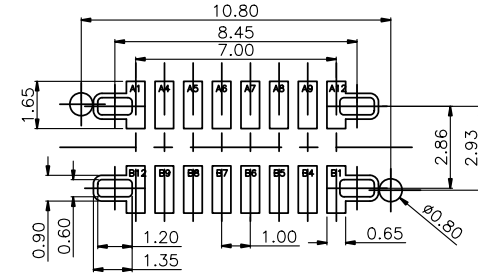
MODIFICATION

DRW

DATE

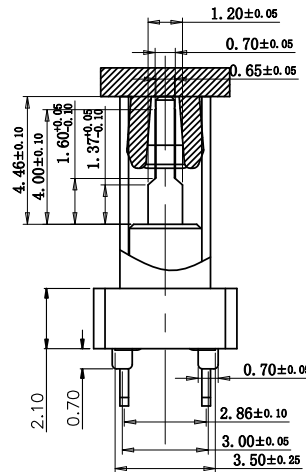
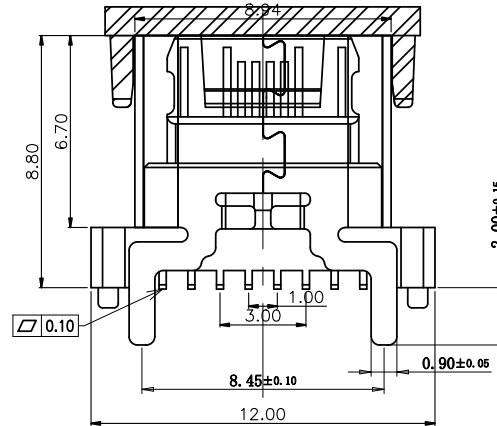
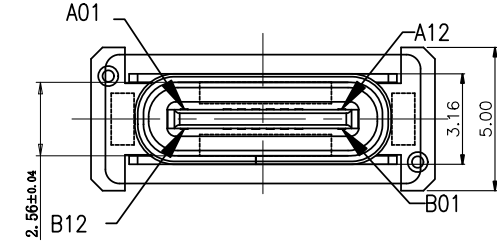
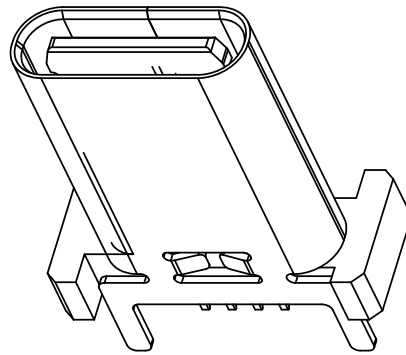
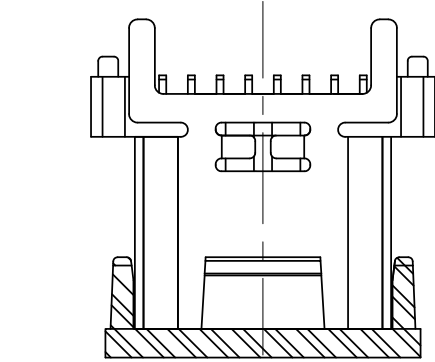
SPECIFICATIONS:

- 1. ELECTRICAL CHARACTERISTICS:
 - 1-1. CONTACT RESISTANCE: 30m MAX. Ω
 - 1-2. DIELECTRIC WITHSTANDING VOLTAGE: 100V AC FOR ONE MINUTE.
 - 1-3. INSULATION RESISTANCE: 100M MIN. MEASURED BY 500 VDC
- 2. MECHANICAL CHARACTERISTICS:
 - 2-1. INSERTION FORCE :0.5-2.0Kgf (REF.)
 - 2-2. WITHDRAWAL FORCE :0.8-2.0Kgf (REF.)
- 3. LIFE TEST: 10,000 CYCLES.



RECOMMENDED P.C.B. LAYOUT (T:1.00mm)
 TOLERANCE UNSPECIFIED ±0.05mm

A1	GND	B12	GND
A4	VBUS	B9	VBUS
A5	CCL	B8	SWDZ
A6	DP1	B7	DW2
A7	DW1	B6	DP2
A8	SWD1	B5	C12
A9	VBUS	B4	VBUS
A12	GND	B1	GND
PIN	SIGNAL NAME	PIN	SIGNAL NAME



产品图 PRODUCT CHART DWG		深圳市精拓金电子有限公司 Shenzhen Jing Tuo Jin Electronics Co., Ltd.							
公差一览表 TOLERANCE UNLESS OTHERWISE		单位 UNIT MM	制图 DRAWING L-S-S	制图料号 PRODUCT PART NO. 918-648K2027S30001					
X.	±0.35	X.	±5.°	比例 SCALE 1:1	审核 CHKD 郭治富	产品名称 PRODUCT NAME TYPE-C3.1母座8.8立贴无弹有柱 四脚插板间距8.45LCP黑胶16PIN			
.X	±0.25	.X	±2.°	日期 DATE 2023-02-10	核准 APPD 黄国荣	角法 VIEW 	版本 VER AO		
.XX	±0.20	.XX	±1.°						
.XXX	±0.05	.XXX	±0.5°						