

MAPX	MODIFICATION	DATE
------	--------------	------

NOTE:
1. Material:

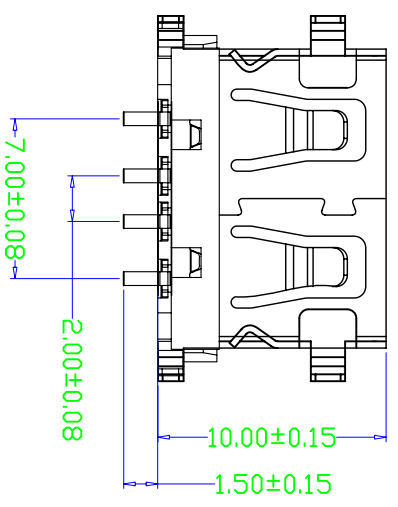
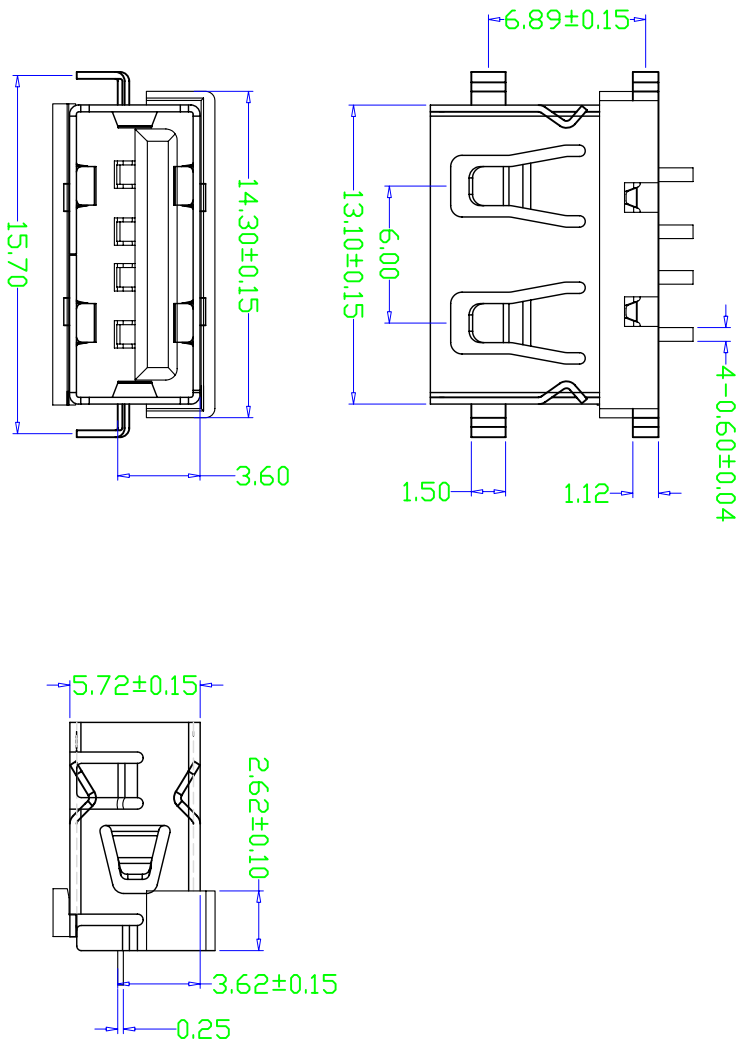
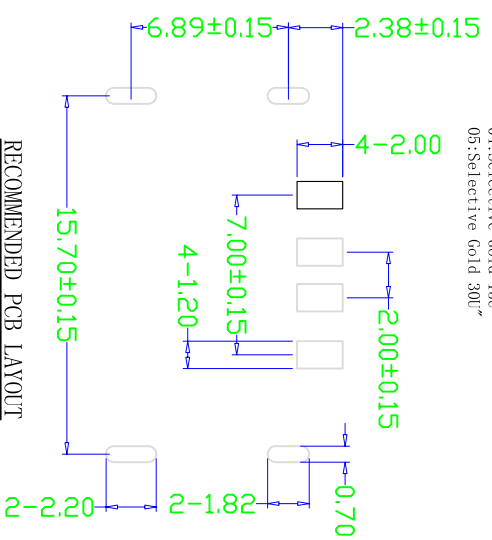
Housing: Thermoplastics, UL94V-0 (ROHS, HF)
Contact: Phosphor Bronze C5191-EH/C2680-EH, T=0.25mm
Shell: COPPER ALLOY T=0.30mm

2. FINISH:
Contact: 15u" Gold Plated on Contact Area,
80u" Min. Tin Plated on Solder Area,
50u" Min. Nickel Underplating Over All.
Shell: 50u" Min. Nickel Underplating Over All.

3. Specification:
3.1: Rating:
Rated voltage 500V AC/DC. Rated current: 2 A Max.
3.2: Electrical:
Insulation Resistance(EIA-364-21):
1000MΩ Min. at 500V/DC for 1minute.
Contract Resistance(EIA-364-23):
30 mΩ Max. at 20mV Max, 50mA

Dielectric Withstanding Voltage (EIA-364-20):
No discharge, Flashover or breakdown at 500V/AC 1Minute
4. Plug extraction force shall be between 1.0kgf and 2.00kgf
5. Contract finish:
01: Selective Gold Flash
02: Selective Gold 3u"
03: Selective Gold 5u"
04: Selective Gold 15u"
05: Selective Gold 30u"

RECOMMENDED PCB LAYOUT
GENERAL TOLERANCES: ±0.05



产品图

深圳市精拓金电子有限公司

公差一览表		单位	MM	制图	Z-Y-B	制图料号	905-661A203S10200
TOLERANCE UNLESS OTHERWISE		UNITS		DRAWING		PRODUCT PART NO.	
X ±0.15	X ±5°	SCALE	1:1	审核	郭治富	产品名称	AF10.0沉板四脚无边铁壳LCP本色
X ±0.10	X ±2°	DATE	2014.11.1	核准	黄国荣	PRODUCT NO.	
XX ±0.05	XX ±1°			APPD		角法	版本
XXX ±0.03	XXX ±0.5°					VIEW	AD

G 1 2 3 4 5 6 7 8 9 10
F
E
D
C
B
A