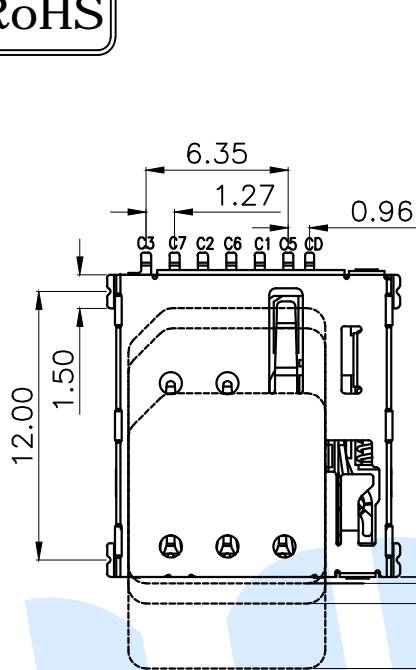
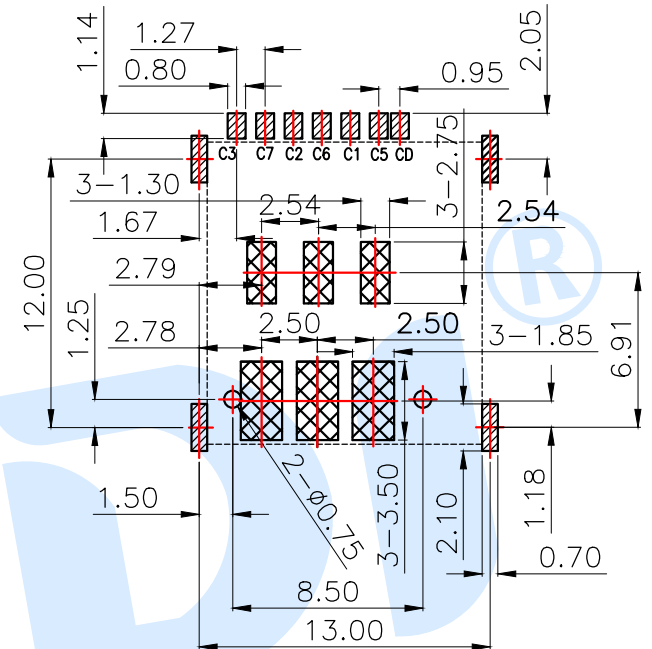
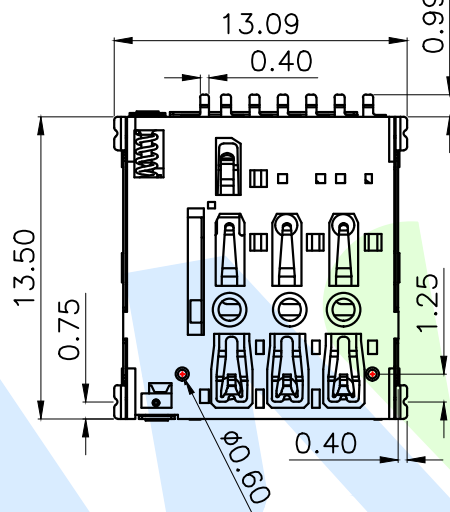
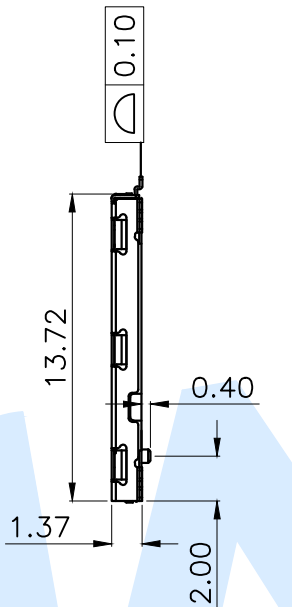


RoHS

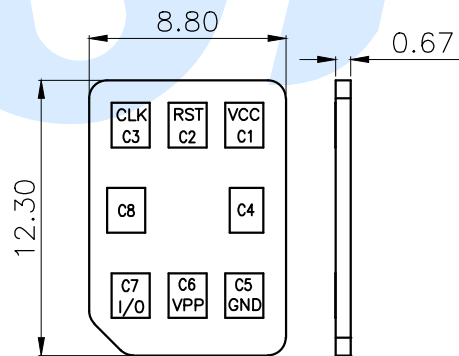
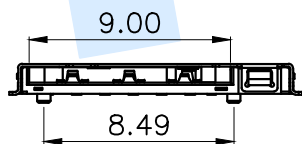


(0.65±0.3) PUSH STROKE POSITION
 (1.50±0.3) CARD LOCK POSITION
 (4.20±0.3) CARD EJECT POSITION



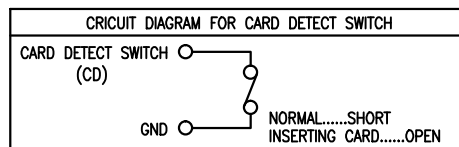
RECOMMENDED PCB LAYOUT
 GENERAL TOLERANCE ±0.05

▨ PAD
 ▩ KEEP OUT AREA



NANO SIM CARD

SIM pin assignment	
PIN#	Name
C1	VCC供电电压
C2	RST重置
C3	CLK时钟
C5	GND接地
C6	VPP程序电压
C7	I/O输入输出
CD	Detect Switch



Specifications/技术规格:

- 1.Current rating/额定电流: 1.0A
- 2.Voltage rating/额定电压: 30V AC/DC
- 3.Insulation Resistance/绝缘电阻: 100MΩ Min 500V DC
- 4.Dielectric Withstanding/耐电压: 500V AC/minute
- 5.Contact Resistance/接触电阻: 100mΩ Max
- 6.Durability/耐久性: 5,000 Insertions
- 7.Operating Temperature/工作温度: -40°C to +85°C

NO.	Name	Number	Qty	Materil	Remarks
ⓕ	Terminal	7		Phosphor bronze	Au plated
ⓔ	Bullet	1		SUS	
ⓓ	Spring	1		SUS	
ⓐ	Contact	7		Phosphor bronze	Au plated
ⓑ	Cover	1		SUS	Ni Plating
ⓐ	Base	1		LCP	Black

YUANDI® Yuandi Electronics Co.,Ltd

design	date	name	model
Review	date	NANO SIM CARD CONNECTOR	
Approved	date		NANO-SIM-500A

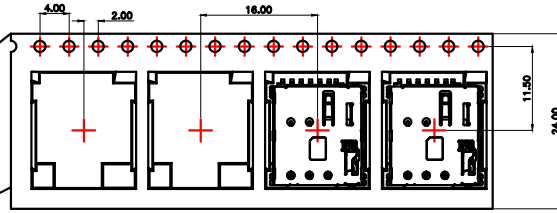
Drawing number: Proportion 1:1 unit mm gage number A4

modify Review Approved Tolerance not specified

angle	±2'
10~30	±0.30
5~10	±0.20
~ 5	±0.10

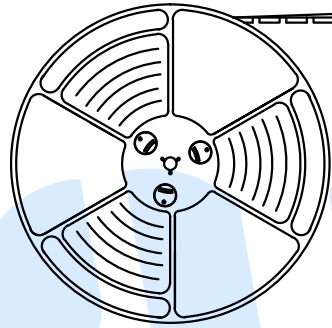
RoHS

客户拉出方向



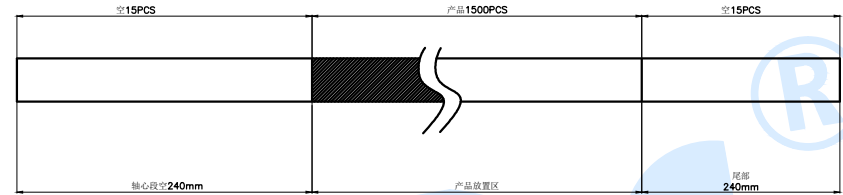
客户拉出方向

自粘上贴



NOTES

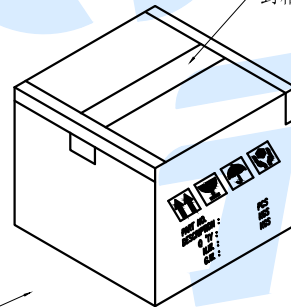
1. 每卷包装数量: 1500PCS/每卷
2. 卷带包装方式:



3. 每箱包装数量: 15000PCS/箱

4. 纸箱350mm*350mm*340mm (内部尺寸), 材质K=K

封箱胶带“工”字形封好

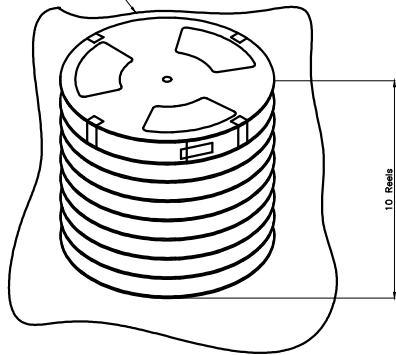


PE袋

纸箱底部和顶部各垫一块珍珠棉

护角

纸箱



10 Reels

将10卷产品放入箱内

YUANDI® Yuandi Electronics Co, Ltd

design	date	name	NANO SIM CARD CONNECTOR
Review	date	model	NANO-SIM-500A
Approved	date		

modify	Review	Approved	Tolerance not specified	Proportion	1:1	unit	mm	gape number	A4
--------	--------	----------	-------------------------	------------	-----	------	----	-------------	----