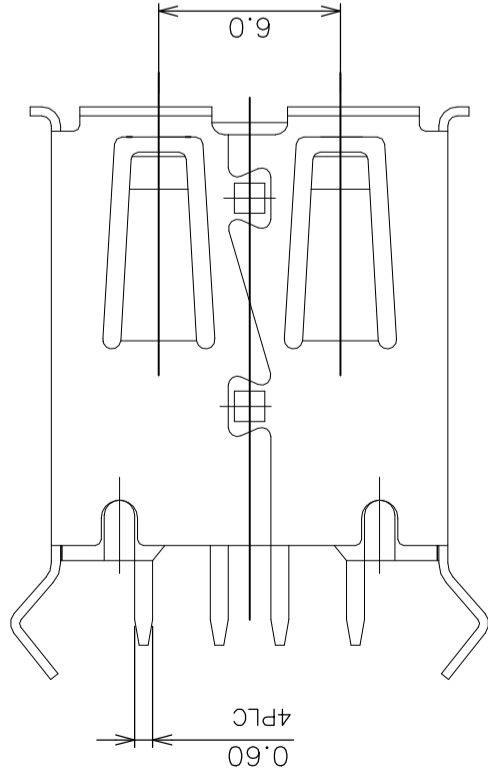
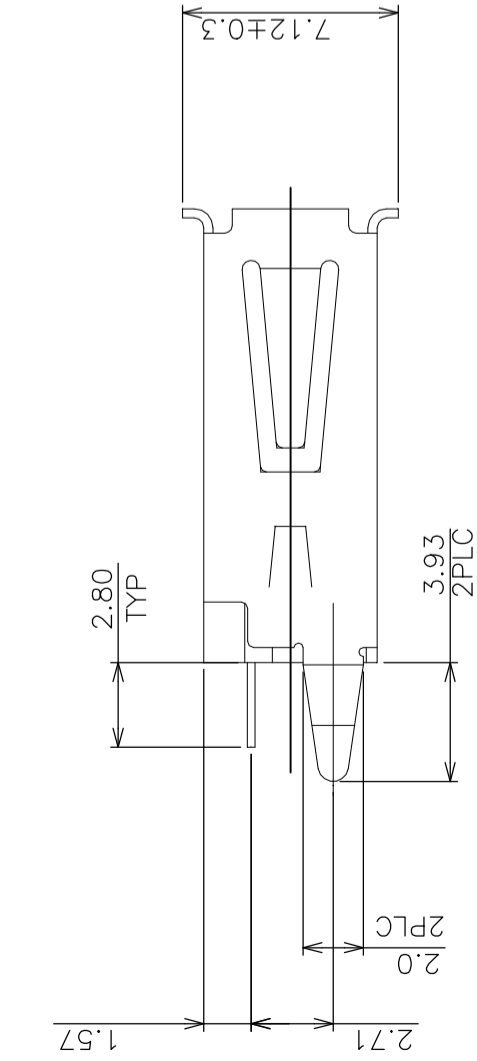
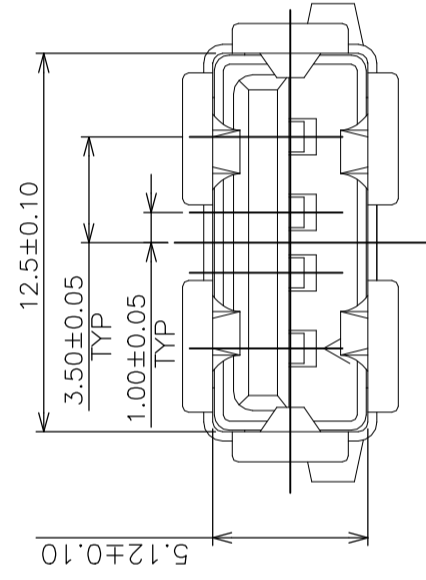
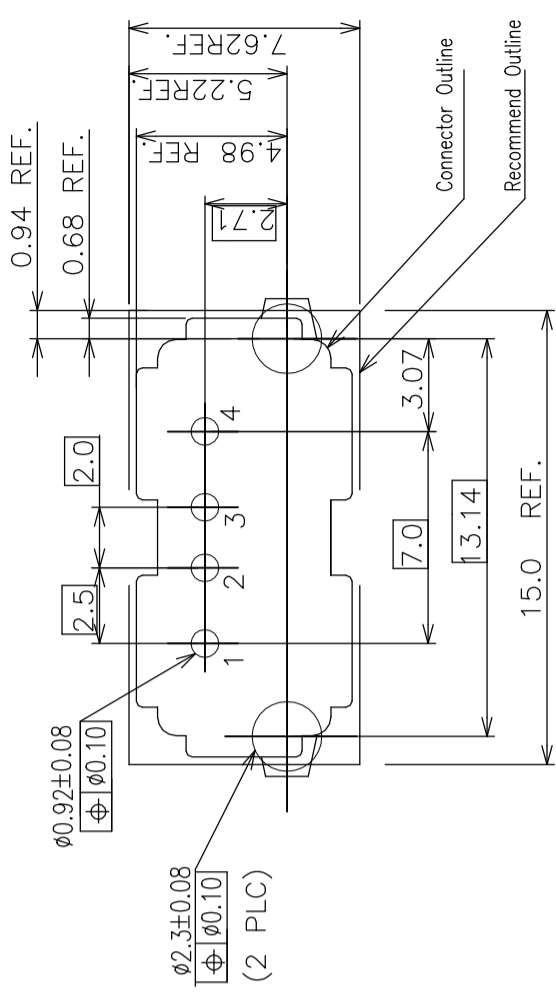
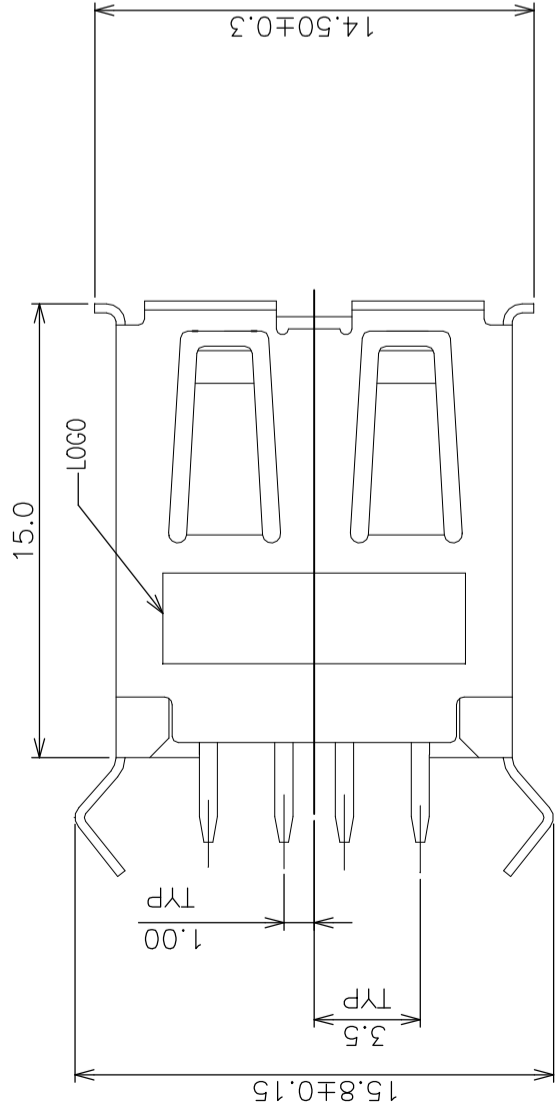


P	LTR	DESCRIPTION	DATE	DWN	APVD
D		REVISED PER ECO-21-001024	26JUL21	JY	SH



RECOMMENDED P.C.BOARD LAYOUT(T=1.6)

- NOTE:
 (TOP VIEW)(TOLERANCE:±0.05)
- MATERIAL:
 ▲ HOUSING: PBT(SOLDER CAPABLE,UL 94-V0,COLOR:SEE TABLE.)
 ▲ HOUSING: PA9T(REFLOW CAPABLE,UL 94-V0,COLOR:SEE TABLE.)
 CAP: LCP(REFLOW CAPABLE,UL 94-V0,COLOR:BLACK.)
 BACK STOPPER: PBT(SOLDER CAPABLE,UL 94-V0,COLOR:BLACK.)
 CONTACT: PHOSPHOR BRONZE, THICKNESS =0.25mm.
 SHIELD: STAINLESS STEEL, THICKNESS=0.30mm.
 - FINISH:
 CONTACT:GOLD FLASH OVER
 0.762um[30u"]MIN. PALLADIUM-NICKEL PLATED ON CONTACT
 2.54um[100u"]MIN. MATTE-TIN ON SOLDER TAILS.
 1.27um[50u"]MIN. NICKEL UNDERPLATED ALL OVER.
 ▲ SHIELD: 2.54um [100u"] MIN. TIN PLATED OVER
 1.27um [50u"] MIN. NICKEL UNDERPLATED
 ▲ SHIELD: 0.762-2.03um [30-80u"] SOLDERABLE NICKEL
 OVER 0.762-2.03um [30-80u"] COPPER

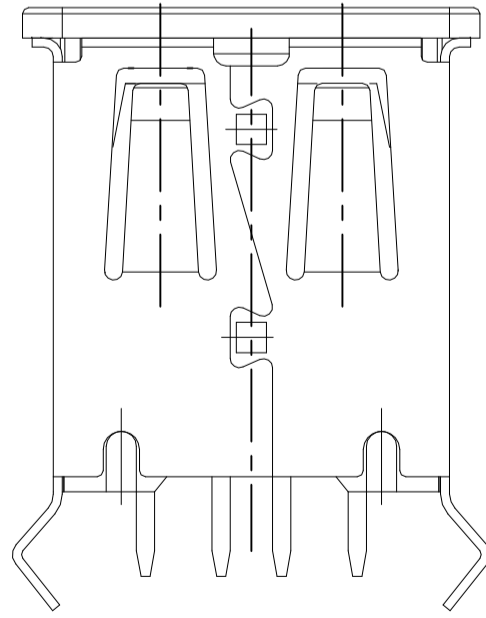
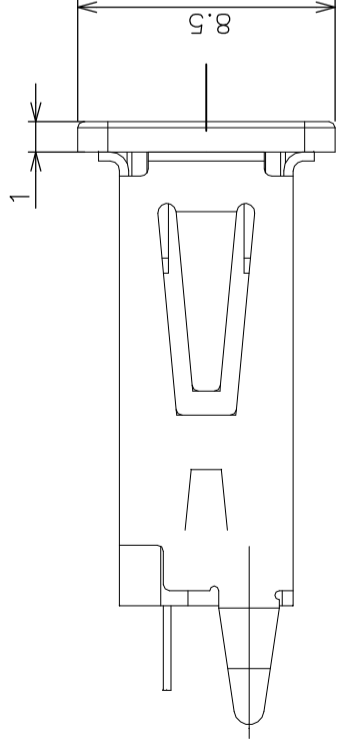
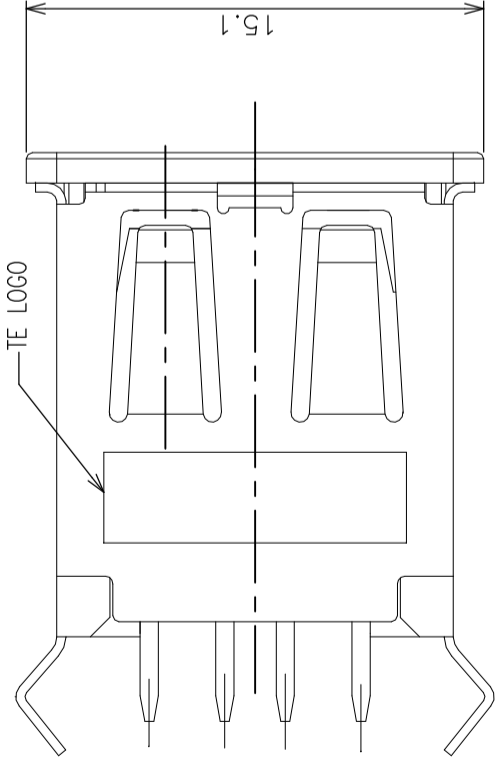
SEE SHEET 4	BLACK	1734366-5	▲	▲
SEE SHEET 5	BLACK	1734366-4		
	BLUE	1734366-3		
SEE SHEET 4	WHITE	1734366-2	▲	▲
	BLACK	1734366-1		

PACKING		HSG'S COLOR	PART NUMBER	HOUSING MATERIAL	SHIELD FINISH
SEE SHEET 4		BLACK	1734366-5	▲	▲
SEE SHEET 5		BLACK	1734366-4		
		BLUE	1734366-3		
SEE SHEET 4		WHITE	1734366-2	▲	▲
		BLACK	1734366-1		

THIS DRAWING IS A CONTROLLED DOCUMENT.	
DWN S. CHIEN 19SEP2008	NAME TE Connectivity
CHK S. CHIEN 19SEP2008	
APVD W.KODAMA	
PRODUCT SPEC 108-57547	
APPLICATION SPEC 501-57635	
WEIGHT 1.82 GRAMS	
CAGE CODE A300779	DRAWING NO 1734366
CUSTOMER DRAWING	

DIMENSIONS: mm	TOLERANCES UNLESS OTHERWISE SPECIFIED:
0 PLC ± 0.38	
1 PLC ± 0.25	
2 PLC ± 0.13	
3 PLC ± 0.05	
4 PLC ± -	
ANGLES ± -	
FINISH ± 2'	
MATERIAL SEE NOTES	SEE NOTES

SCALE 1:1	SHEET 1 of 6	REV D
--------------	-----------------	----------



1734366-6 AS SHOW
OTHER DIMENSIONS ARE THE SAME AS SHEET1

REVISIONS

P	LTR	DESCRIPTION	DATE	DWN	APVD
-	-	SEE SHEET 1	-	-	-

THIS DRAWING IS A CONTROLLED DOCUMENT.

DIMENSIONS:	TOLERANCES UNLESS OTHERWISE SPECIFIED:
mm	0 PLC ± 0.38
	1 PLC ± 0.25
	2 PLC ± 0.13
	3 PLC ± 0.05
	4 PLC ± - ± 2'
	ANGLES
	FINISH

MATERIAL SEE NOTES
FINISH SEE NOTES

DWN	19SEP2008	S. CHIEN
CHK	19SEP2008	S. CHIEN
APVD		W.KODAMA
PRODUCT SPEC		108-57547
APPLICATION SPEC		501-57635
WEIGHT		1.82 GRAMS

SIZE A3
CAGE CODE 00779
DRAWING NO. 1734366

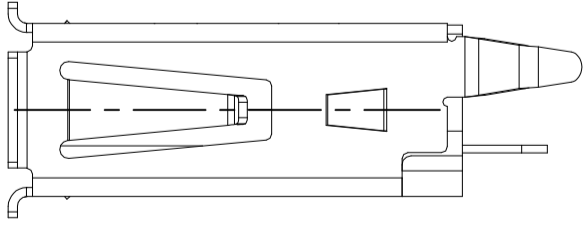
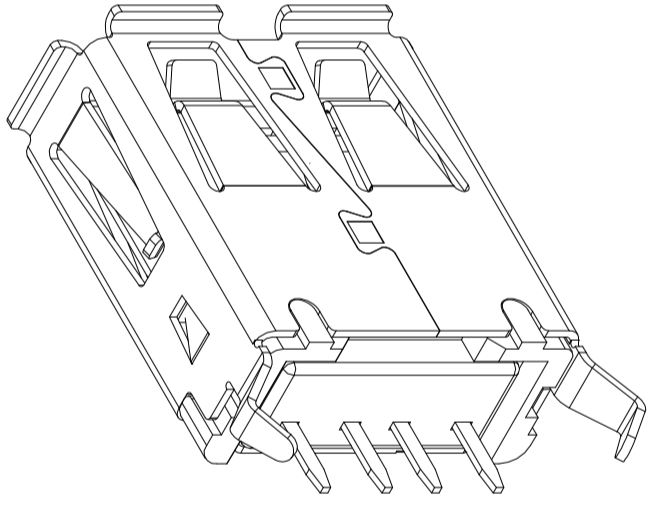
SEE SHEET 6	BLACK	1734366-6	△	△
PACKING	HSG'S COLOR	PART NUMBER	HOUSING MATERIAL	SHIELD FINISH
TE Connectivity				
RECEPT ASSY,VERTICAL,4POSITION THRU-HOLE,TYPE A USB				
RESTRICTED TO				

CUSTOMER DRAWING

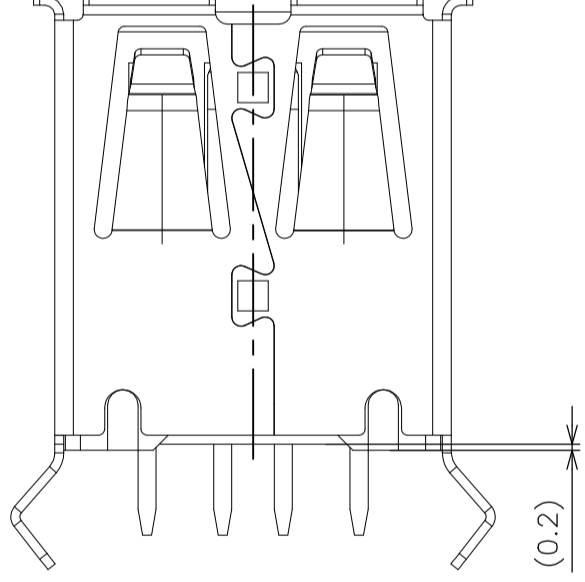
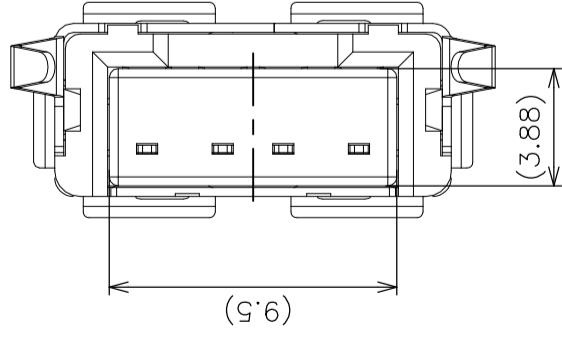
SCALE 1:1 SHEET 2 of 6 REV D

REVISIONS

P	LTR	DESCRIPTION	DATE	DWN	APVD
-		SEE SHEET 1	-	-	-



1734366-7 AS SHOW
OTHER DIMENSIONS ARE THE SAME AS SHEET1



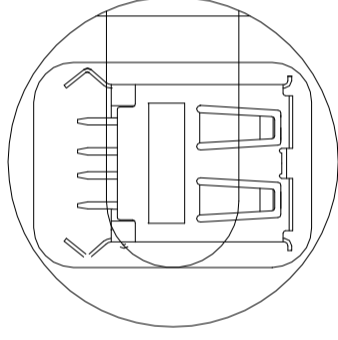
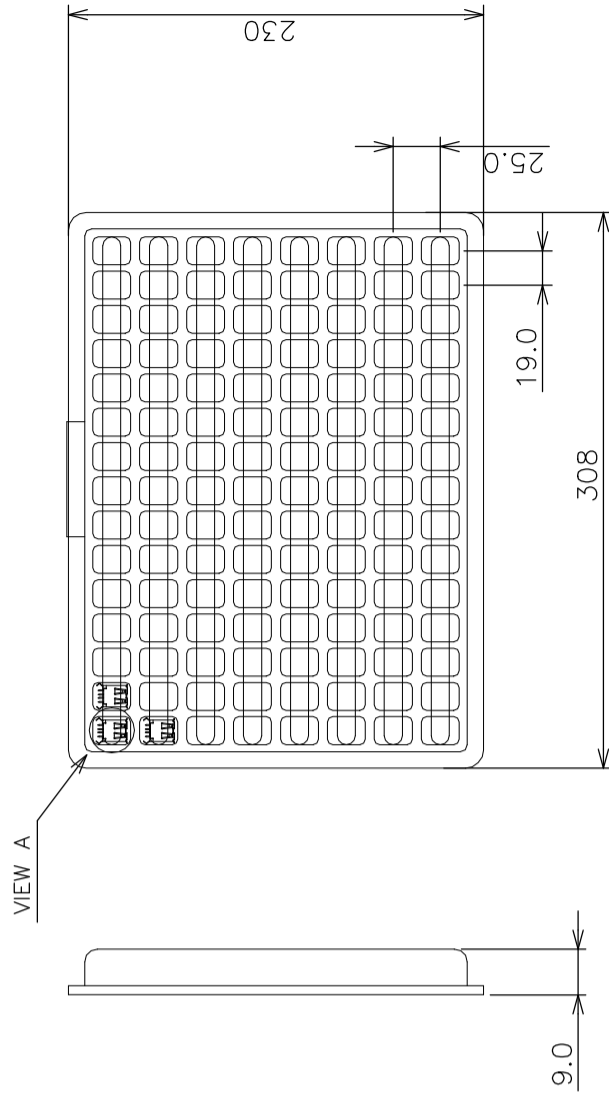
THIS DRAWING IS A CONTROLLED DOCUMENT.	
DIMENSIONS: mm	TOLERANCES UNLESS OTHERWISE SPECIFIED:
	0 PLC ± 0.38
	1 PLC ± 0.25
	2 PLC ± 0.13
	3 PLC ± 0.05
	4 PLC ± - ± 2'
ANGLES	
FINISH	
MATERIAL SEE NOTES	FINISH SEE NOTES

SEE SHEET 4	BLACK	1734366-7	△	△
PACKING	HSG'S COLOR	PART NUMBER	HOUSING MATERIAL	SHIELD FINISH
DWN S. CHIEN 19SEP2008	TE Connectivity			
CHK S. CHIEN 19SEP2008				
APVD W.KODAMA	NAME			
PRODUCT SPEC 108-57547	RECEPT ASSY, VERTICAL, 4 POSITION THRU-HOLE, TYPE A USB			
APPLICATION SPEC 501-57635	SIZE	CAGE CODE	DRAWING NO	RESTRICTED TO
WEIGHT 1.82 GRAMS	A3	00779	1734366	-
CUSTOMER DRAWING				
		SCALE	SHEET	REV
		1:1	3 of 6	D

P	LTR	DESCRIPTION	DATE	DWN	APVD
-	-	SEE SHEET 1	-	-	-

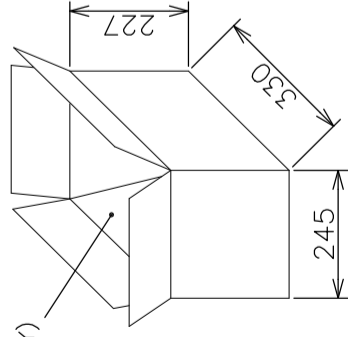
USE THE TAPE TO FIX THE TRAY(4X)

TRAY
120 PCS/TRAY



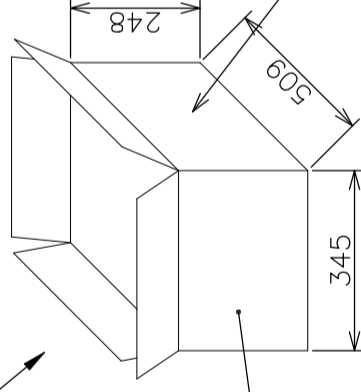
VIEW A:

INNER BOX(20 TRAY)
TOTAL:2400 PCS



CARTON

2:INNER BOX/CARTON
TOTAL:4800PCS
GROSS WEIGHT:12.2 KGS
NET WEIGHT:11.2 KGS



OUT BOX

NOTE :

1. PACKAGING MATERIAL IN PLASTIC, RUBBER,INK,PIGMENT AND PAINT MUST MEET CONTROLLED SUBSTANCES SPEC PER 230-702.
* CADMIUM AND CADMIUM COMPOUNDS NOT TO EXCEED:5 PPM.
* LEAD,CADMIUM,CHROM VI AND MERCURY NOT TO EXCEED:100 PPM(COMBINED).
2. MATERIAL :
TRAY: PVC, UPPER COVER THICKNE=0.3MM,
LOWER COVER THICKNE=0.4MM.

4800	1734366-7
4800	1734366-5
4800	1734366-2
4800	1734366-1
QTY	PART NUMBER

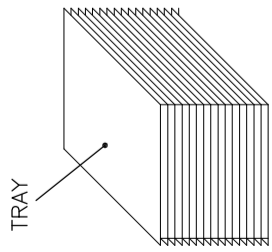
THIS DRAWING IS A CONTROLLED DOCUMENT.		DWN	19SEP2008
DIMENSIONS:		CHK	19SEP2008
mm	TOLERANCES UNLESS OTHERWISE SPECIFIED:	APVD	S. CHIEN
	0 PLC ± 0.38	PRODUCT SPEC	W.KODAMA
	1 PLC ± 0.25	108-57547	
	2 PLC ± 0.15	APPLICATION SPEC	501-57635
	3 PLC ± 0.05	WEIGHT	1.82 GRAMS
	4 PLC ± 0.2°	FINISH	SEE NOTES
MATERIAL	SEE NOTES	CUSTOMER DRAWING	

		TE Connectivity	
		NAME	
RECEPT ASSY,VERTICAL,4POSITION		SIZE	CAGE CODE
THRU-HOLE,TYPE A USB		A3	00779
RESTRICTED TO		DRAWING NO	1734366
SCALE		1:1	SHEET
REV		4	of 6
REV		D	

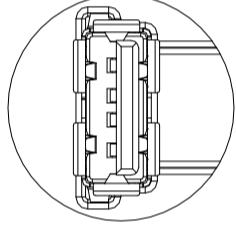
P	LTR	DESCRIPTION	DATE	DWN	APVD
-	-	SEE SHEET 1	-	-	-

USE THE TAPE TO FIX THE TRAY(4X)

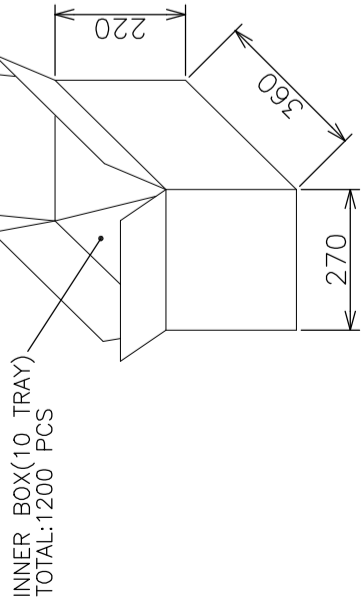
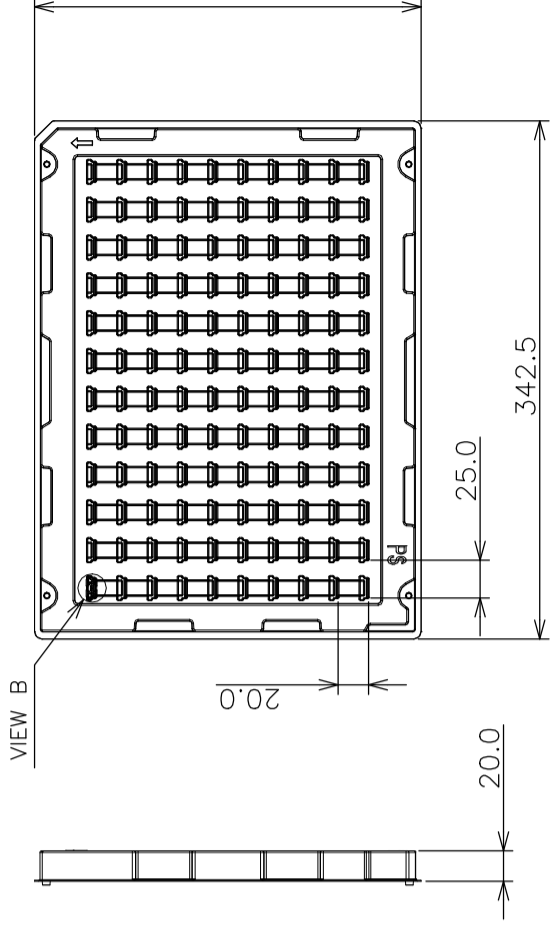
120 PCS/TRAY



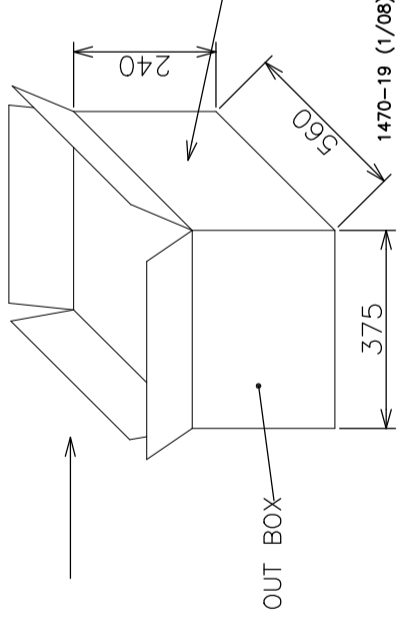
TRAY



VIEW B:



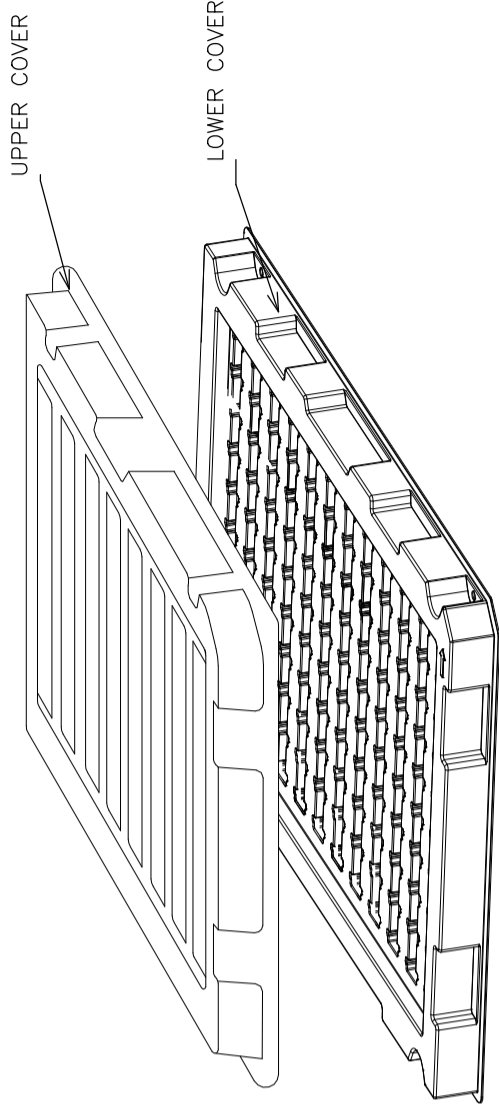
INNER BOX(10 TRAY)
TOTAL:1200 PCS



CARTON

20 TRAYS/CARTON
TOTAL:2400PCS
GROSS WEIGHT:7.2KGS
NET WEIGHT:5.6KGS

OUT BOX



UPPER COVER

LOWER COVER

NOTE :

1. PACKAGING MATERIAL IN PLASTIC, RUBBER,INK,PIGMENT AND PAINT
MUST MEET CONTROLLED SUBSTANCES SPEC PER 230-702.
* CADMIUM AND CADMIUM COMPOUNDS NOT TO EXCEED:5 PPM.
* LEAD,CADMIUM,CHROM VI AND MERCURY NOT TO EXCEED:100 PPM(COMBINED).
2. MATERIAL :

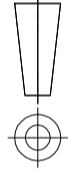
TRAY: PS, UPPER COVER THICKNE=0.5MM.
LOWER COVER THICKNE=0.7MM

THIS DRAWING IS A CONTROLLED DOCUMENT.

TOLERANCES UNLESS OTHERWISE SPECIFIED:

0 PLC	± 0.38
1 PLC	± 0.25
2 PLC	± 0.15
3 PLC	± 0.05
4 PLC ANGLES	± - ± 2'

DIMENSIONS: mm



MATERIAL

SEE NOTES

SEE NOTES

DWN	S. CHIEN	19SEP2008
CHK	S. CHIEN	19SEP2008
APVD	W.KODAMA	
PRODUCT SPEC	108-57547	
APPLICATION SPEC	501-57635	
WEIGHT	1.82 GRAMS	

NAME

RECEPT ASSY,VERTICAL,4POSITION
THRU-HOLE,TYPE A USB

SIZE CAGE CODE DRAWING NO RESTRICTED TO

A3 00779 C-1734366

CUSTOMER DRAWING

SCALE 1:1

SHEET 5 of 6

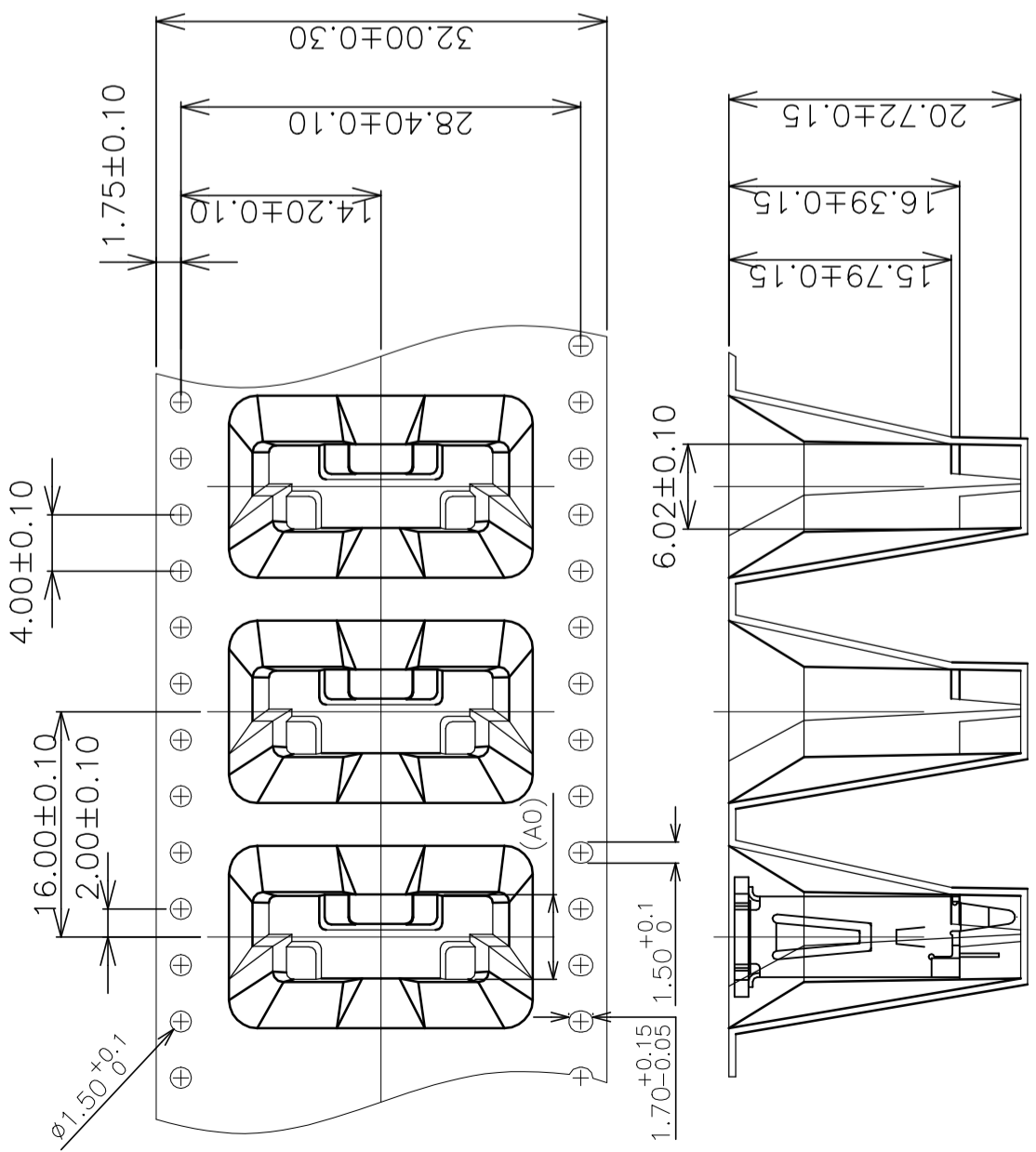
REV D

2400	1734366-4
2400	1734366-3
QTY	PART NUMBER



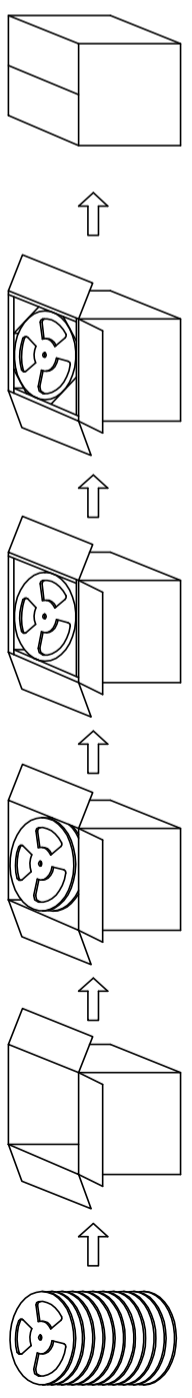
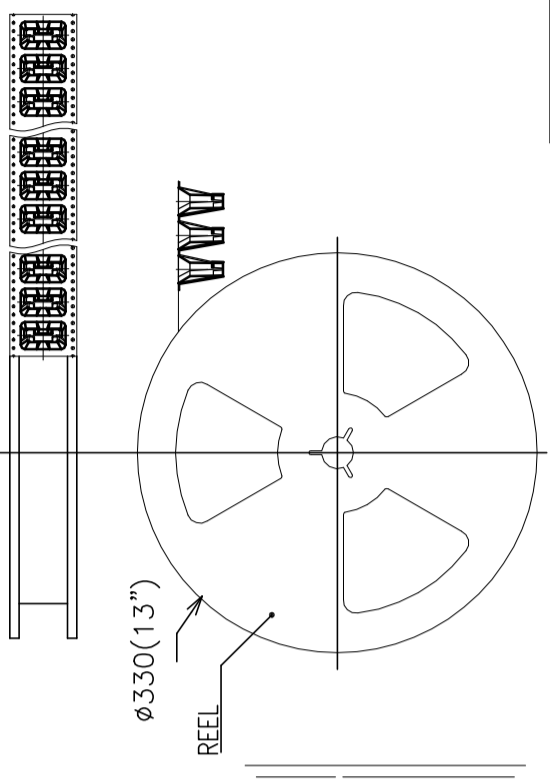
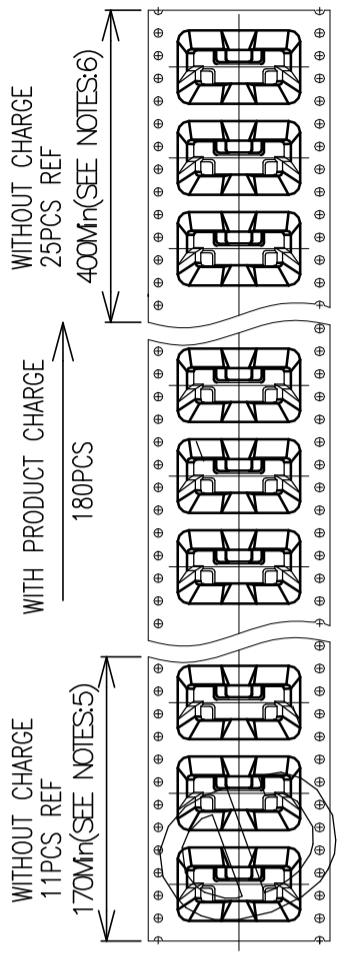
TE Connectivity

P	LTR	DESCRIPTION	DATE	DWN	APVD
-	-	SEE SHEET 1	-	-	-



NOTE :

1. PACKAGING MATERIAL IN PLASTIC, RUBBER, INK, PIGMENT AND PAINT
MUST MEET CONTROLLED SUBSTANCES SPEC PER 230-702.
* CADMIUM AND CADMIUM COMPOUNDS NOT TO EXCEED:5 PPM.
* LEAD, CADMIUM, CHROM VI AND MERCURY NOT TO EXCEED:100 PPM (COMBINED).
2. MATERIAL :
REEL-BLACK CONDUCTIVE POLYSTYRENE ALLOY



OUT BOX PACKAGE DIAGRAM DRAWING

1440	1734366-6
QTY	PART NUMBER

THIS DRAWING IS A CONTROLLED DOCUMENT.		DWN 19SEP2008		S. CHIEN		TE Connectivity			
DIMENSIONS: mm		CHK 19SEP2008		S. CHIEN		NAME			
TOLERANCES UNLESS OTHERWISE SPECIFIED:		APVD		W. KODAMA		RECEPT ASSY, VERTICAL, 4 POSITION			
0 PLC ± 0.38	SEE NOTES	PRODUCT SPEC		108-57547		THRU-HOLE, TYPE A USB			
1 PLC ± 0.25		APPLICATION SPEC		501-57635		RESTRICTED TO			
2 PLC ± 0.15		WEIGHT		1.82 GRAMS		DRAWING NO			
3 PLC ± 0.05		FINISH		± 2'		CAGE CODE			
4 PLC ± -	MATERIAL		SEE NOTES		SIZE		A3 00779		
SEE NOTES		CUSTOMER DRAWING		SCALE		1:1		SHEET 6 of 6	
								REV 6 of 6	
								D	