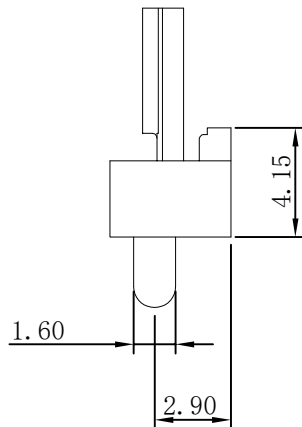
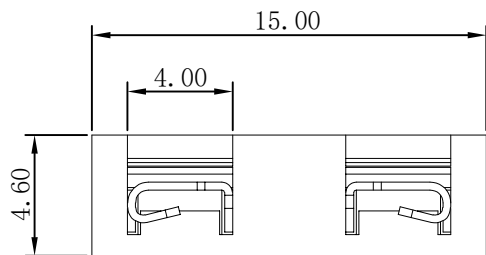


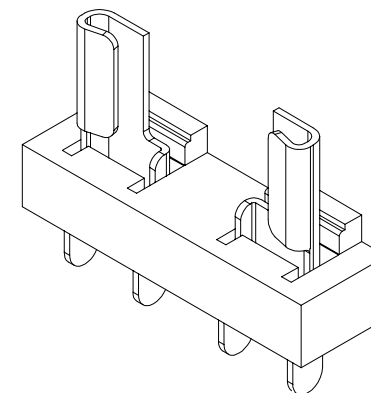
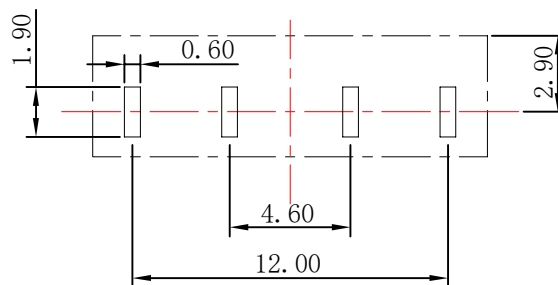
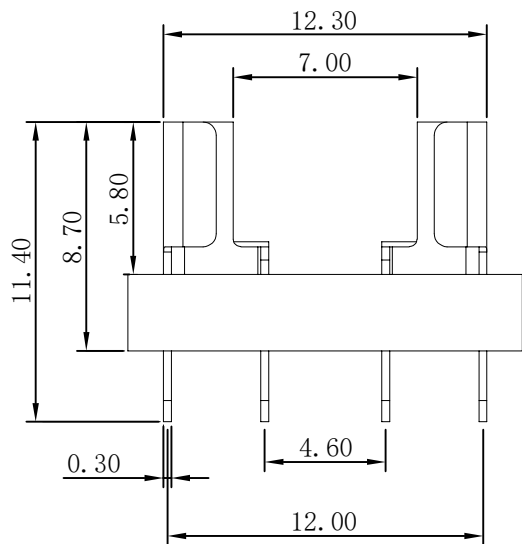
RoHS

REV	ECN NO.	DESCRIPTION	DESIGN	APPROVAL	DATE
A1	NEW	更换图框			2024.04.17



NOTE:

- 1 TECHNICAL PARAMETER;
- 1.1 SUITABLE RATED CURRENT: 15A@250VAC.
- 1.2 INSERTION AND EXTRACTION FORCE: 1KG MIN.
- 1.3 DIELECTRIC STRENGTH: AC500V MIN.
- 1.4 CONTACT RESISTANCE: 50MΩ MAX.
- 1.5 TEMPERATURE RISE: 50° MAX.
- 1.6 INSULATION RESISTANCE AT 500V DC: 100MΩ



3D REFER TO

适用线路板 (PCB LAYOUT)

X.±0.50	X.°±	PART NO:		XFCN 兴飞连接器		
.X±0.25	.X°±	XF-505P				
.XX±0.15	.XX°±	TITLE:		0769-82001899		
.XXX±0.10	.XXX°±	Mini低背汽车保险丝座 02P 袋装		www.xfconn.com		
UNITS:	mm	DWG NO:		/		
THESE DRAWINGS AND SPECIFICATIONS ARE THE PROPERTY OF XFCN AND SHALL NOT BE REPRODUCED, COPIED OR CUED IN ANY MANNER WITHOUT THE PRIOR WRITTEN CONSENT OF XFCN		APPD		VIEW		
		CHKD		SCALE	SHEET	
		DRAW	Wang	SCALE	NO	REV
		DATE	2024.04.25	NONE	NO	A1