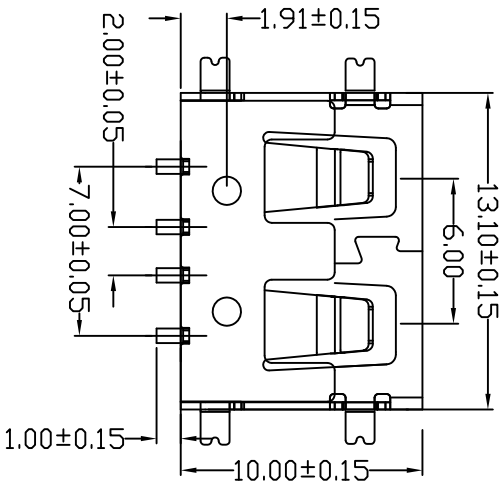
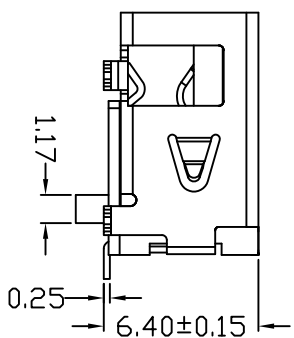
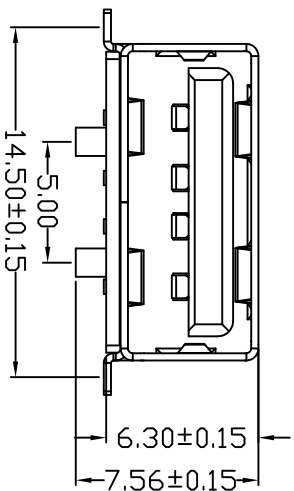
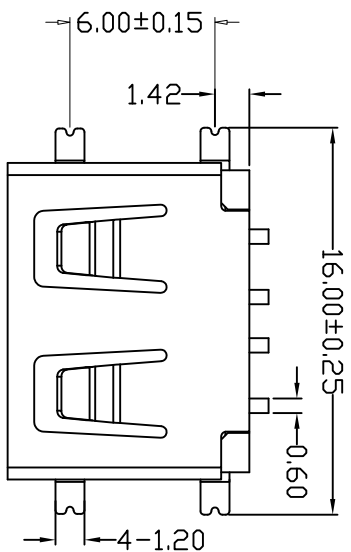
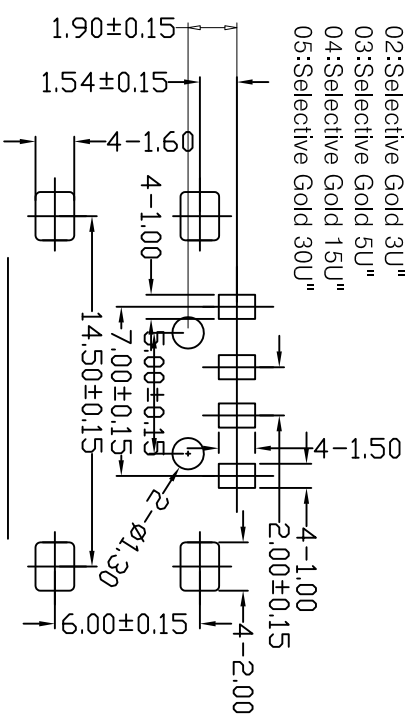


正向10.0全贴/6.40



- NOTES:
- HOUSING: SEE NOTES, UL94V-0 .
TERMINAL: SEE NOTES.
SHELL: SEE NOTES.
 - ELECTRICAL CHARACTERISTIC:
CONTACT RESISTANCE: 30MΩ MAX
DIELECTRIC WITHSTANDING VOLTAGE: 500V AC FOR 1MIN
INSULATION RESISTANCE: 1000MΩ MIN
 - MECHANICAL CHARACTERISTIC:
INSERTION FORCE: 35N(3.57KGF) MAX
EXTRACTION FORCE: 10~35N(1.02~3.57KGF)MIN
DURABILITY: 1500 CYCLES EXTRACTION FORCE:10~35N
5000 CYCLES MIN
 - ENVIRONMENTAL:
OPERATING TEMPERATURE: -55°C+85°C
 - Contact finish:
01: Selective Gold Flash
02: Selective Gold 3U"
03: Selective Gold 5U"
04: Selective Gold 15U"
05: Selective Gold 30U"



FRONT EDGE OF CONNECTOR
PCB LAYOUT

深圳市精拓金电子有限公司

产品图
PRODUCT CHART DWG

公差一览表
TOLERANCE UNLESS OTHERWISE

X	±0.25	X	±5°
X	±0.20	X	±2°
XX	±0.15	XX	±1°
XXX	±0.10	XXX	±0.5°

单位	MM	制图	Z-Y-B	制料号	915-122A2026S10200
UNITS	MM	DRAWING	Z-Y-B	PRODUCT PART NO	915-122A2026S10200
比例	1:1	审核		产品名称	AF10.0短体四脚全贴无边方
SCALE	1:1	CHKD		PRODUCT NO	弹6.4铜壳LCP黑胶6.2有柱无耳朵
日期	2015/04/24	核准		角法	
DATE	2015/04/24	APRD		VER	版本
				VIEW	AD