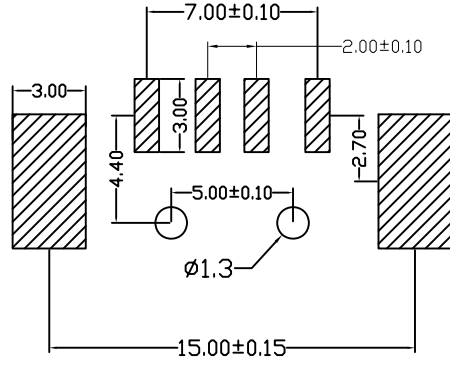
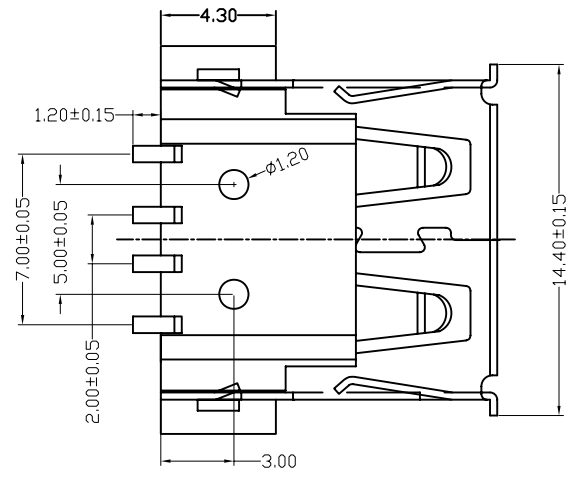
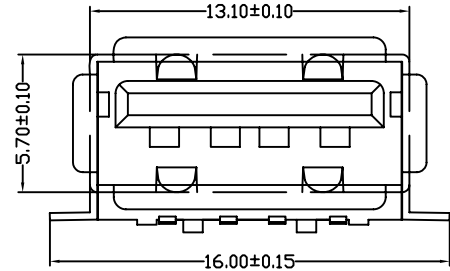
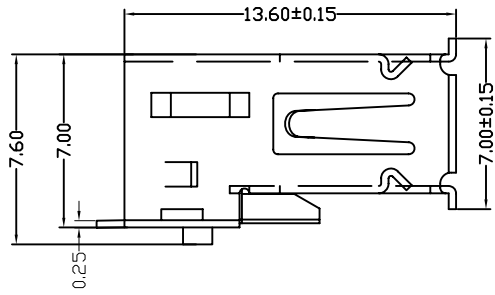


目錄 MAPX	设变内容 MODIFICATION	日期 DATE
△	侧弹变更	2013. 3. 10



PCB LAYOUT

NOTES:
 Housing: Thermoplastics,UL94V-0
 Contact: Copper Alloy
 Shell: Copper Alloy/Steel
 Voltage Current Rating:1.5 AMP. 30V AC
 Insulation Resistance:1000MΩ Min.
 Contact Resistance:30 MΩ Max.
 Dielectric Withstanding Voltage:500V AC
 Temperature Range:-35°C to +85°C
 Insulator color: Black/White
 Plastic material:PBT/LCP/Others
 Shell finish:Nickel plated/Tin-Lead plated
 Mechanical:
 Mating Force: 3.5KG MAX
 Unmating Force: 0.7 KG MIN.
 Contact finish:
 01: Selective Gold Flash
 02: Selective Gold 3U”
 03: Selective Gold 5U”
 04: Selective Gold 15U”
 05: Selective Gold 30U”

产品图 PRODUCT CHART DWG		深圳市精拓金电子有限公司								
公差一览表 TOLERANCE UNLESS OTHERWISE				单位 UNITS	MM	制图 DRAWING	Z-Y-B	产品料号 PRODUCT PART NO.	904-131A2022S10100	
X.	±0.25	X'	±5°	比例 SCALE	1:1	审核 CHKD	郭治富	产品名称 PRODUCT NO.	AF方脚贴板有边内弹铁壳LCP黑胶1.2柱	
.X	±0.20	.X'	±2°							
.XX	±0.15	.XX'	±1°	日期 DATE	2009. 10. 20	核准 APPD	黄国荣	角法 VIEW	版本 VER	A0
.XXX	±0.10	.XXX'	±0.5°							