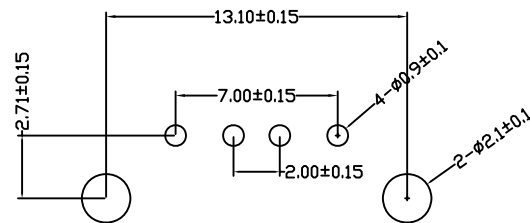
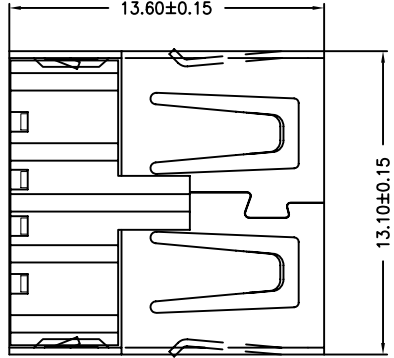
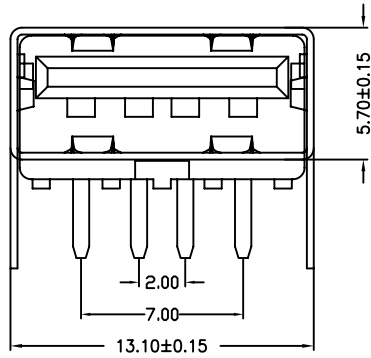
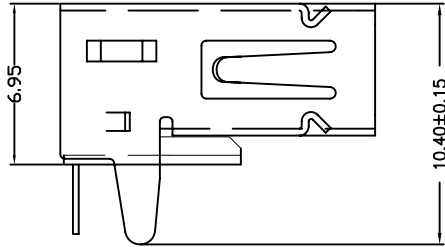


目錄
MAPX

設變內容
MODIFICATION

日期
DATE



PCB LAYOUT

NOTES:
 Housing: Thermoplastics,UL94V-0
 Contact: Copper Alloy
 Shell: Copper Alloy/Steel
 Voltage Current Rating:1.5 AMP. 30V AC
 Insulation Resistance:1000MΩ Min.
 Contact Resistance: 30 MΩ Max.
 Dielectric Withstanding Voltage:500W AC
 Temperature Range:-35°C to +85°C
 Insulator color: Black/White
 Plastic material:PBT/LCP/Others
 Shell finish:Nickel plated/Tin-Lead plated
 Mechanical:
 Mating Force: 3.5KG MAX
 Unmating Force: 0.7 KG MIN.
 Contact finish:
 01: Selective Gold Flash
 02: Selective Gold 3U”
 03: Selective Gold 5U”
 04: Selective Gold 15U”
 05: Selective Gold 30U”

产品图
PRODUCT CHART DWG

深圳市精拓金电子有限公司

公差一览表 TOLERANCE UNLESS OTHERWISE				单位 UNITS	MM	制图 DRAWING	Z-Y-B	产品料号 PRODUCT PART NO.	903-242A1011D10100		
X.	±0.25	X'	±5°	比例 SCALE	1:1	审核 CHKD	郭治富	产品名称 PRODUCT NAME	AF90度无后盖直脚无边		
.X	±0.20	.X'	±2°					角法 VIEW	内弹铜壳T型PBT白胶	版本 VER	A0
.XX	±0.15	.XX'	±1°	日期 DATE	2009/10/20	核准 APPD	黄国荣				
.XXX	±0.10	.XXX'	±0.5°								