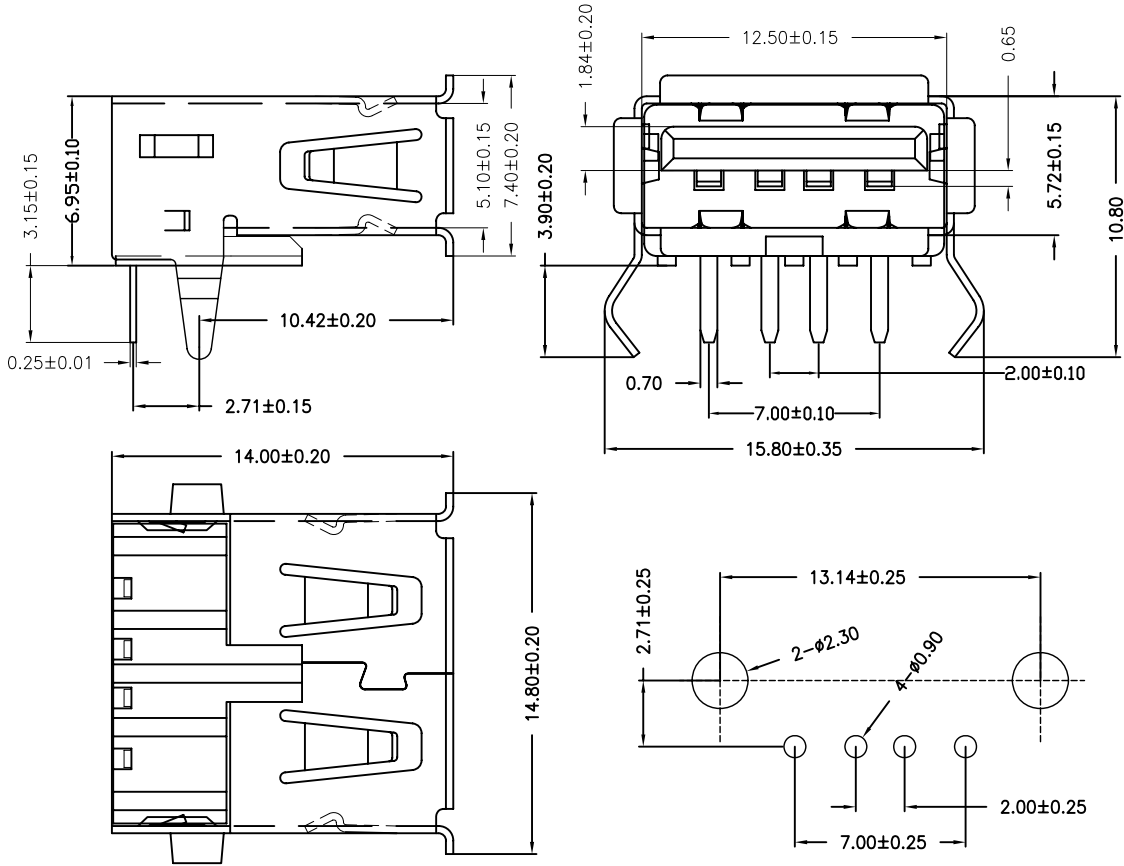
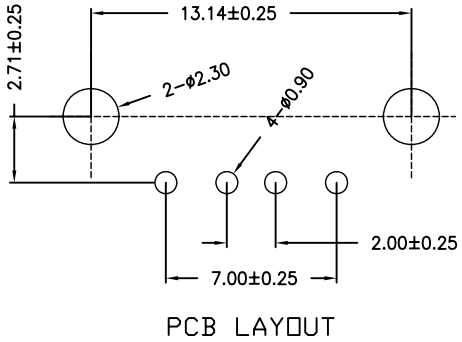


目錄 MAPX	設變內容 MODIFICATION	日期 DATE



NOTES:

Housing: Thermoplastics,UL94V-0
Contact: Copper Alloy
Shell: Copper Alloy/Steel
Voltage Current Rating:1.5 AMP. 30V AC
Insulation Resistance:1000MΩ Min.
Contact Resistance:30 MΩ Max.
Dielectric Withstanding Voltage:500V AC
Temperature Range:-35°C to +85°C
Insulator color: Black/White
Plastic material:PBT/LCP/Others
Shell finish:Nickel plated/Tin-Lead plated
Mechanical:
Mating Force:3.5KG MAX
Unmating Force:1.02 KG MIN.
Contact finish:
01:Selective Gold Flash
02:Selective Gold 3U”
03:Selective Gold 5U”
04:Selective Gold 15U”
05:Selective Gold 30U”



产品图 PRODUCT CHART DWG		深圳市精拓金电子有限公司							
公差一览表 TOLERANCE UNLESS OTHERWISE				单位 UNITS	MM	制图 DRAWING	Z-Y-B	产品料号 PRODUCT PART NO.	903-132A1011D10110
.X	±0.25	.X'	±5'	比例 SCALE	1:1	审核 CHKD	郭治富	产品名称 PRODUCT NO.	AF90度无后盖弯脚有边内弹 14.0铜壳T型PBT白胶/单格吸塑
.XX	±0.20	.XX'	±2'						
.XXX	±0.15	.XXX'	±1'	日期 DATE	2015.03.14	核准 APPD	黄国荣	角法 VIEW	版本 VER
	±0.10	.XXX'	±0.5'						A0