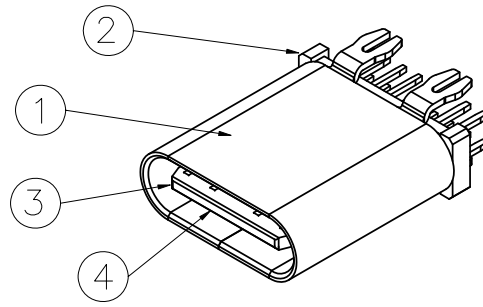
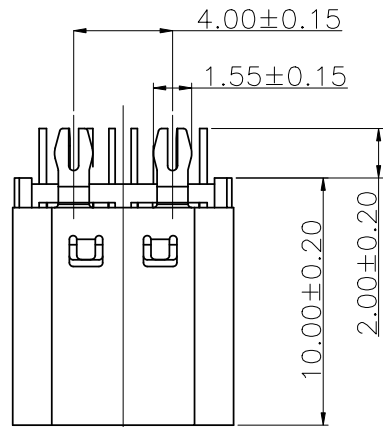
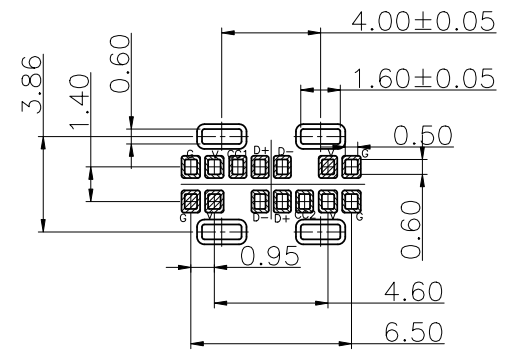
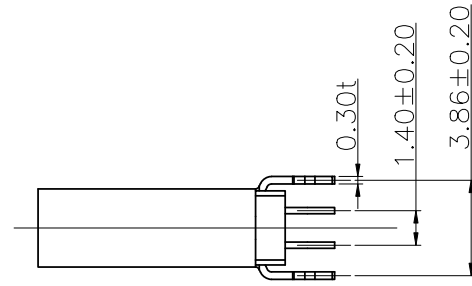
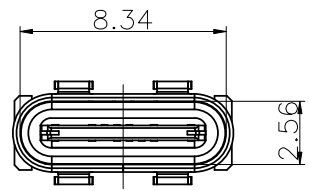


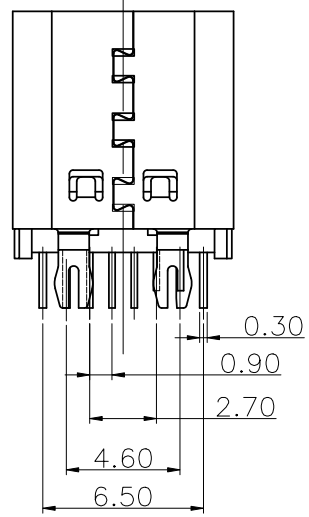
MAPX	MODIFICATION	DATE



- 1.ELECTRICAL:  
 CURRENT:5A  
 CONTACT RESISTANCE:40 MILLIOHMS MAX  
 DIELECTRIC WITHSTANDING VOLTAGE: 200V AC  
 INSULATION RESISTANCE:100 MEGOHMS MIN
- 2.MECHANICAL:  
 MATING FORCE:5-20N  
 WITHDRAWAL FORCE:8-20N  
 DURBILITY:10000 CYCLES
- 3.ENVIRONMENTAL:  
 TEMPERTURE RANGE -40℃~105℃  
 SALT TESTING:24 HOURS



RECOMMENDED P.C.B. LAYOUT  
 TOLERANCE UNSPECIFIED ±0.05mm



A1	QW	B12	QW
A4	YBS	B9	YBS
A5	CC	B8	SBZ
A6	NP1	B7	WE
A7	ML	B6	IP2
A8	SHU	B5	CC
A9	YBS	B4	YBS
A12	QW	B1	QW
FX	SIGNL HNB	FX	SIGNL HNB

<b>产品图</b> PRODUCT CHART DWG		<h1>深圳市精拓金电子有限公司</h1>							
<b>公差一览表</b> TOLERANCE UNLESS OTHERWISE		<b>单位</b> UNITS	MM	<b>制图</b> DRAWING	林属升	<b>制图料号</b> PRODUCT PART NO.	918-418K2112Y40001		
X.	±0.30	X.	±5.°	<b>比例</b> SCALE	1:1	<b>审核</b> CHKD	郭志富	<b>产品名称</b> PRODUCT NO.	TYPE-C3.1母座立式10.0四角叉脚不锈钢外壳LCP橙胶14PIN5A
.X	±0.25	.X	±2.°	<b>日期</b> DATE	2019.11.23	<b>核准</b> APPD	黄国荣	<b>角法</b> VIEW	
.XX	±0.15	.XX	±1.°	<b>版本</b> VER		<b>版本</b> VER			A0
.XXX	±0.10	.XXX	±0.5°						