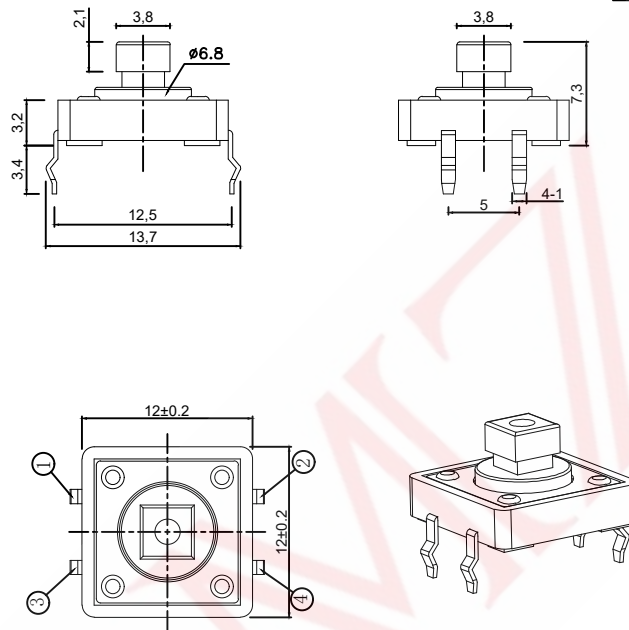
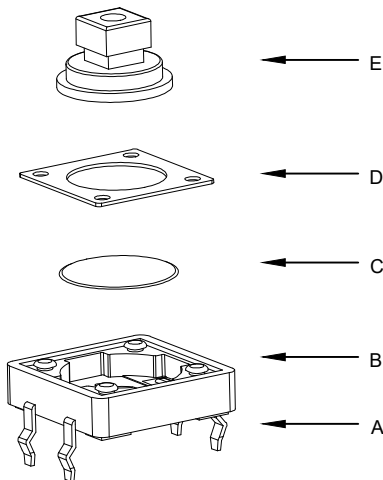


1 SAMZO 2 REAC/ROHS

REV	ECN NO	DESCRIPTION	DESIGN	APPROVAL	DATE
A1	NEW	Replace frame			2018.06.12

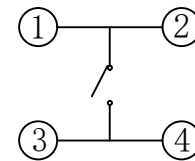


主要技术参数、性能  
The Main Thchnology Performance

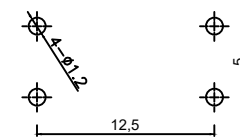
额定电流、电压 Rate voltage. current	50mA DC12V
接触电阻 Contact resistance	≤100mΩ
按力 Operating force	±50gf
行程 Travel	0.35±0.15mm
绝缘电阻 Insulated resistance	≥100MΩ
介电强度 Dielectric strength	≥250VAC/1min

Q 1 L 7 3 \* \* \* 0  
A B C D E F G H

- A. 系列:Q-12\*12系列
- B. 贴装方式:1-立式插件
- C. 引脚规格:L-2P
- D. 操作高度:73-7.3mm
- E: 操作力度:1-180gf/2-260gf
- F: 操作寿命:1-30,000次/2-100,000次/3-1,000,000次
- G: 固定方式:1-无柱/2-带柱
- H: 物料编码:0-常规(确认待编)



电路图  
CIRCUIT DIAGRAM



PCB. 焊接图  
PCB. WELDING DRAWING

ITEM	DESCRIPTION	MATERIAL	QTY	FINISH/COLOR				
E	按钮	PPA	1	黑色	GENERAL TOLERANCE			
D	盖板	铁/不锈钢	1	镀铜锡	≥0~2<	±0.15		
C	弹片	磷铜/不锈钢	1	镀银	DESIGN	WANGGUIFA	2018.06.12	≥2~5< ±0.25
B	本件	PPA	1	黑色	CHECKED	ZHENGUILAN	2018.06.12	≥0~2< ±0.15
A	卡件	黄铜	1	镀银	APPROVED	LILIANJIANG	2018.06.14	≥5 ±0.35

FIRST VIEW

SCALE 1:1 UNIT mm

**SAMZO COMPONENTS**  
Electronic switch and connector manufacturer

The copyright belongs to samzo parts [China] Co., Ltd. please use the material after samzo parts agree to authorize. The final right of interpretation belongs to samzo parts. WWW.KKK-JP.COM

TITLE: 12*12*7.3 DIP 方头
DWG NO: Q1L73-P7301
PART NO: Q1L73180021
MODEL NO: Q1L73-*-*-*0
NAME: TACT SWITCH