

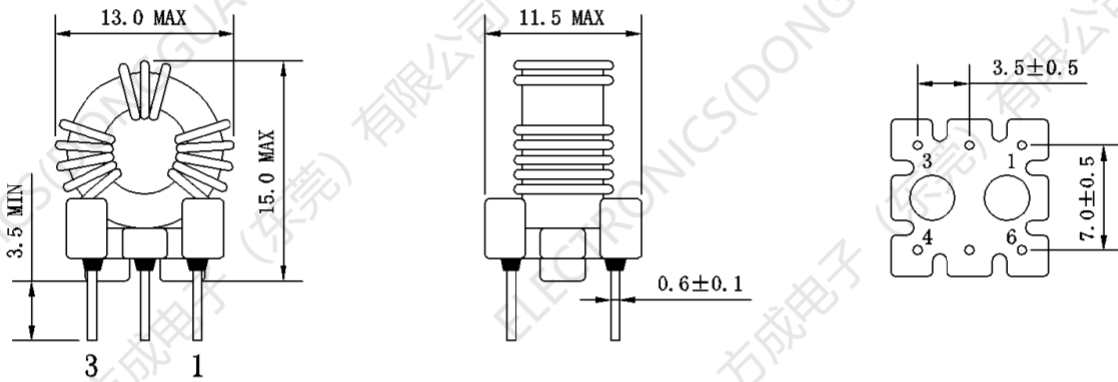
SMD Drive Transformers FC-TCH1065-230Y-T

Features:

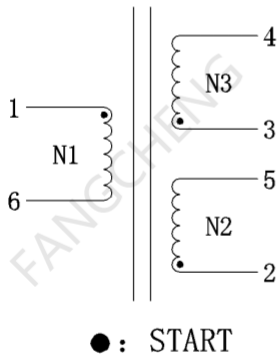
1. turns Ratio: 5:4:5
2. Rated Current: 1.5A
3. Insulation Test Voltage: 1.5VAC
4. Application: Drive isolation circuit
5. Operating temperature: - 40 °C to +125 °C



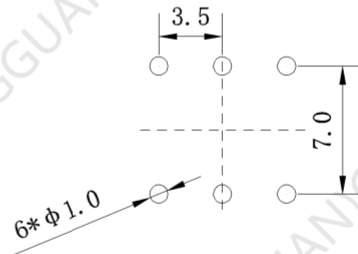
1. Dimensions:mm



2 .Schematic:



3. Recommend Land Pattern: mm



4.Winding STEP:

WDG	TERMINAL	WIRE	TURNS	REMARKS
N1	1--6	TIW-E φ 0.40*1P	5Ts	Close winding
N2	2--5	TIW-E φ 0.40*1P	4Ts	Close winding
N3	3--4	TIW-E φ 0.40*1P	5Ts	Close winding

SMD Drive Transformers FC-TCH1065-230Y-T

5. Electrical Properties

NO.	ITEMS	MEASURING POINT	TECHNICAL DATA	TEST CONDITION	INSTRUMENT
1	Inductors	L (2--5)	23μH±25%	10KHz, 0.3V, 25°C	HP4284A
2	IR	COIL~CORE	100Mohm MIN	DC500V	MF2511
3	turns Ratio	N1:N2:N3	5:4:5	20KHz, 1V, 25°C	TH3250
4	DCR	R (1--6)	20m Ω /MAX	25°C	CH502
		R (2--5)	20m Ω /MAX	25°C	CH502
		R (3--4)	20m Ω /MAX	25°C	CH502
5	Insulation Test Voltage	COIL => CORE	1.5KV/AC	5mA 3S	CJ2670

Ambient temperature : -40°C to +85°C

Operating temperature: -40°C to +125°C