

Schottky Rectifier Modules



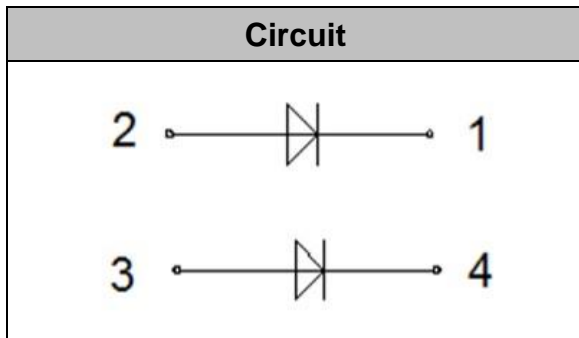
V_{RRM} 60V
I_{FAV} 2X100 A

Applications

- Plating Power Supply
- High Frequency Power Supply
- High Current Switching Power Supply
- Reverse Battery Protection
- Welding Matching

Features

- Center Tap Module
- High Frequency Operation
- Low Forward Voltage
- Dual Diode Construction; May be Paralleled for High Current Output
- Lead (Pb)-free
- Designed and qualified for industrial level



Maximum Ratings

Symbol	Conditions	Values	Units
V _R		60	V
I _{F(AV)}	T _C =125°C, Per Diode	100	A
	T _C =125°C, Per Module	200	A
I _{FSM}	1/2 Cycle, 50Hz, Sine	1500	A
I ² t	T _J =45°C, t=10ms, 50Hz, half Sine	11250	A ² s
T _J		-40 to +150	°C
T _{STG}		-40 to +150	°C
Visol	3600V AC 1s	1	mA
Torque	Recommended (M4)	0.6~1.2	N·m
Torque	Recommended (M4)	0.6~1	N·m
Weight		27	g

Thermal Characteristics

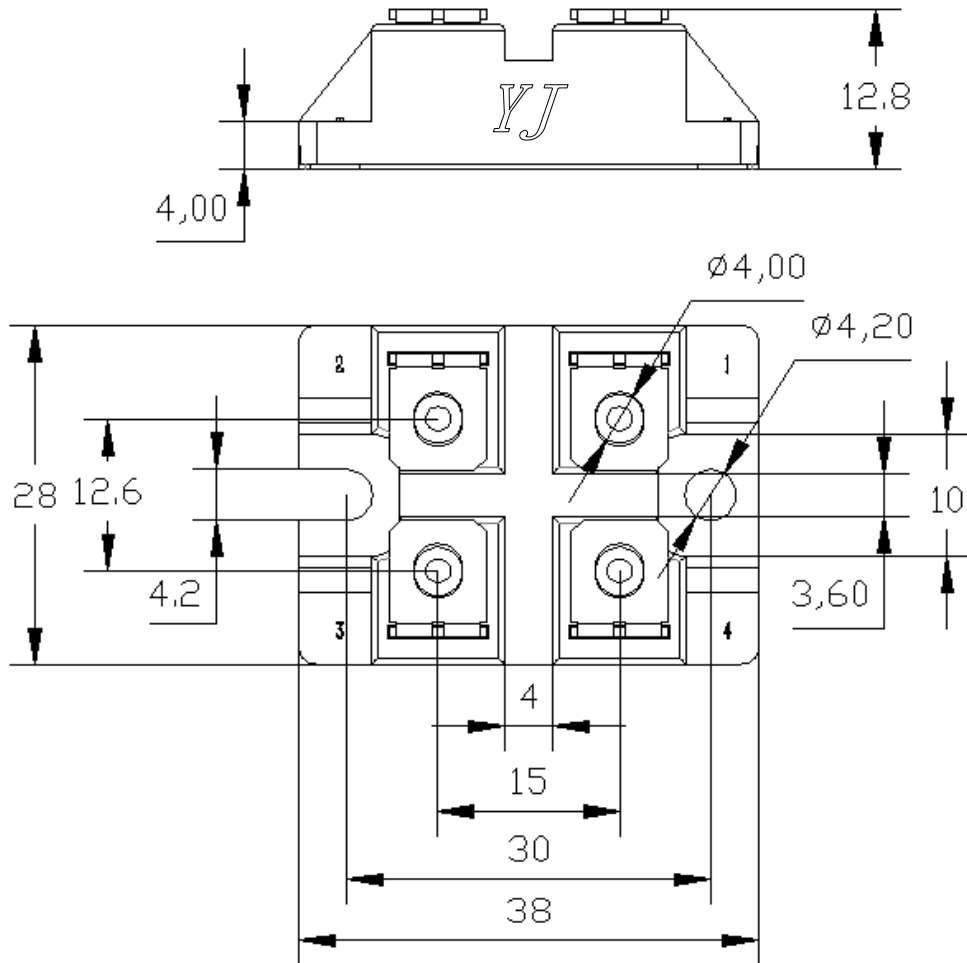
Symbol	Conditions	Values	Units
R _{th(j-c)}	Per diode	0.26	°C/W

Electrical Characteristics

Symbol	Conditions	Values			Units
		Min.	Typ.	Max.	
I _{RM}	V _R =60V	--	--	1	mA
	V _R =60V, T _J =125°C	--	--	20	mA
V _F	I _F =100A, , T _J =25°C	--	0.72	0.75	V
	I _F =100A, , T _J =125°C	--	--	0.62	

Package Outline Information

CASE: FJ



Dimensions in mm