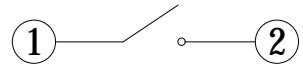
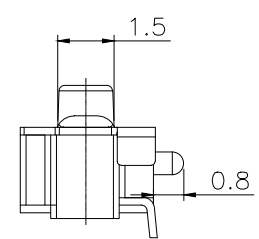
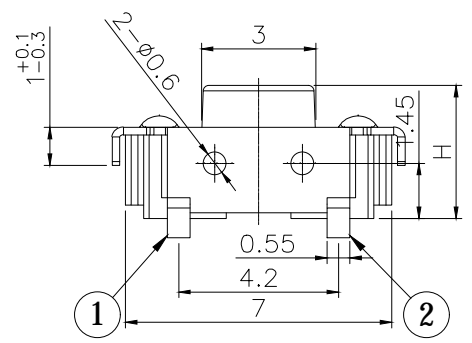
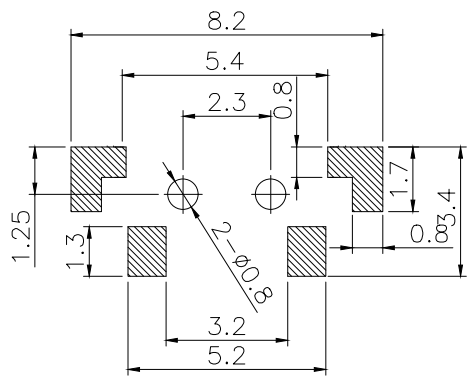
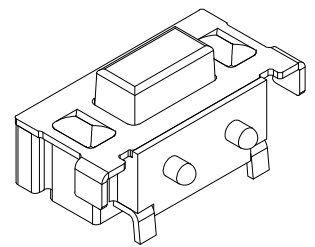
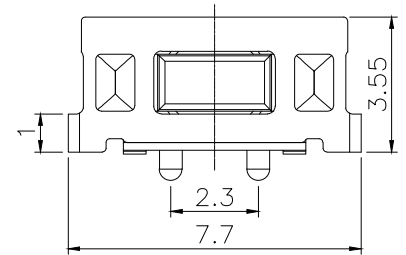


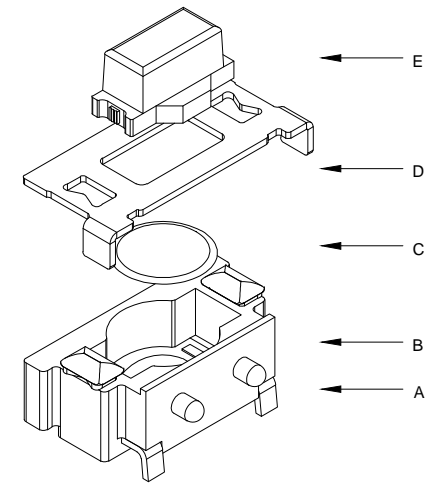
REV.	ECN NO OR DESCRIPTION	DRAW	DATE



CIRCUIT DIAGRAM



PCB. WELDING DRAWING




主要技术参数、性能  
The Main Thchnology Performance

额定电流、电压 Rate voltage,current	50mA DC12V
接触电阻 Contact resistance	≤100mΩ
按力 Operating force	±50gf
行程 travel	0.2±0.1mm
绝缘电阻 Insulated resistance	≥100MΩ
介电强度 Dielectric strength	≥250VAC/1min

Part No	H(高度)	力度
SMG-05-H035A0	3.50	250gf
SMG-05-H035B0	3.50	180gf

项目 ITEM	名称 DESCRIPTION	材质 MATERIAL	数量 QTY	表面处理/颜色 FINSH/COLOR
E	按钮	PPA	1	黑色
D	盖板	黄铜	1	镀银
C	弹片	不锈钢	1	镀银
B	本体	LCP	1	白色
A	卡件	黄铜	1	镀银

GENERAL TOLERANCES (UNLESS SOECIFIED)	SCALE: 1:1 UNIT: MM	TITLE:	PART NO.
		3*6*X侧接	SMG-05-HXXXX0
DISTANCE ANGLE X. ±0.30 X.° ±2.0° .X ±0.20 .X° ±1.0° .XX ±0.15 .XX° ±0.5°	Matthew	 <b>SM switch Co., Ltd.</b> 无锡斯茂科技有限公司 <small>ISO 9001/ISO14001</small>	SHEET NO 1 OF 1
	Benjamin		
	Michael		
/			
DRAFT WHERE APPLICABLE MUST REMAIN WITHIN DIMENSIONS	Alexander Sophia	THIRD ANGLE PRDJECTION	