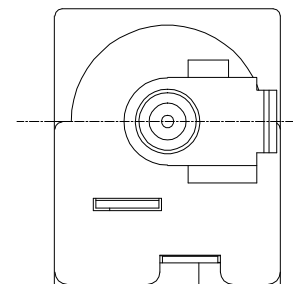
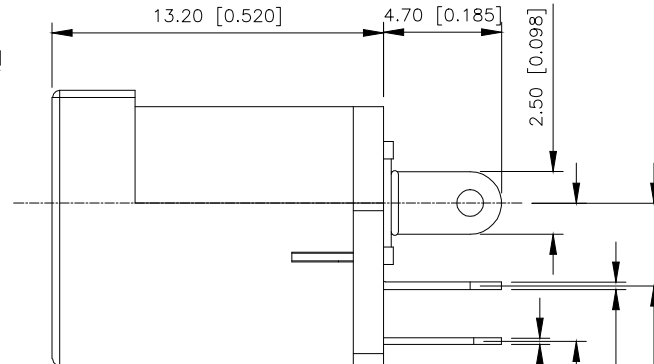
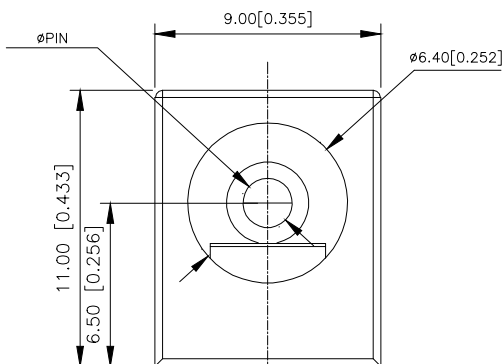
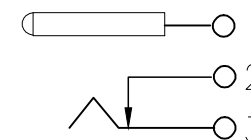


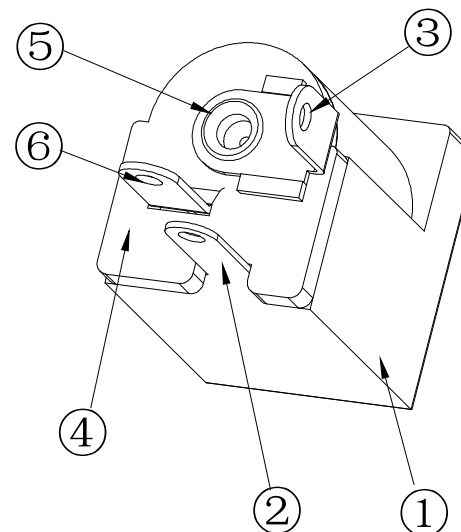
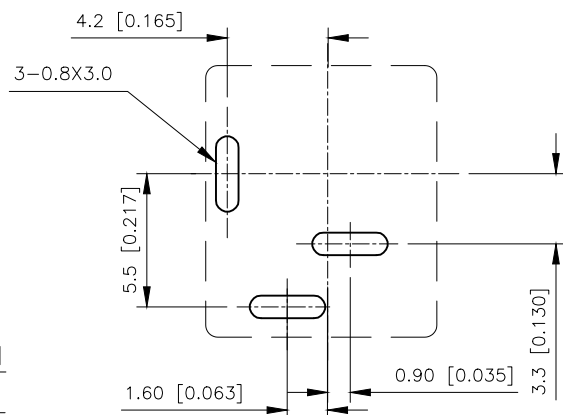
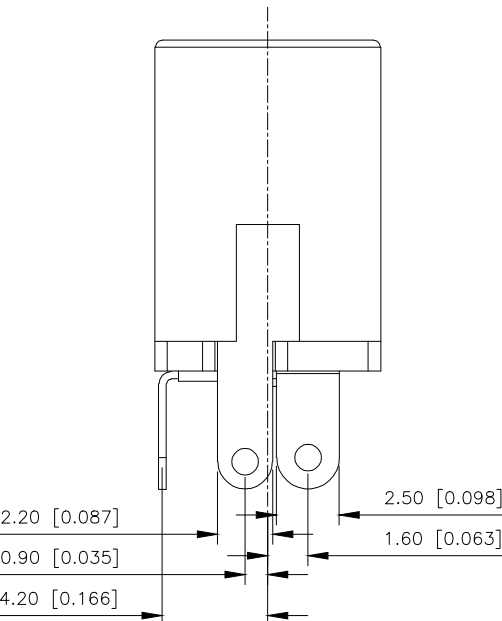
REVISIONS					
REV.	ECN NO.	LOCATION	DESCRIPTION	DATE	DESIGN
A0	N/A		INITIAL RELEASE	2024.07.11	阿树



SCHEMATIC



PCB LAYOUT  
TOP VIEW (TOLERANCE: ±0.05)



技术特性:  
 使用条件: -40~85°C  
 额定负荷: DC30V 1A  
 接触电阻: ≤0.02Ω  
 绝缘电阻: ≥100mΩ DC250V  
 耐压: AC 250V (50Hz)/min  
 插拔力: 3~15N  
 寿命: 5000次

$\phi PIN$	PART NO.
2.0mm	DC-012-2.5A-2.0
2.5mm	DC-012-2.5A-2.5

序号	名称	数量	材料	备注
6	弯片	1	H62黄铜带(Y)=0.30mm	铜锡
5	插针	1	H62黄铜棒	铜锡
4	后盖	1	PBT	黄褐色
3	平片	1	H62黄铜带(Y)=0.30mm	铜锡
2	簧片	1	65M锰铜带=0.20mm	锡铈
1	底座	1	PBT	黑

ANGULAR	±5°
X.	±0.40
X.x	±0.30
X.xx	±0.20
X.xxx	±0.15
UNSPECIFIED TOLERANCES	



DESIGN	阿树
CHECKED	
APPROVED	

VIEW:	
UNIT:	mm/in
SIZE:	A4

MODEL TYPE:	DC JACK
PART NO.:	DC-012-2.5A-XX
DWG NO.:	

XKB INDUSTRIAL PRECISION CO., LIMITED

SCALE	PAGE	REVISION
N/A	1/1	A0