

Schottky Rectifier Modules



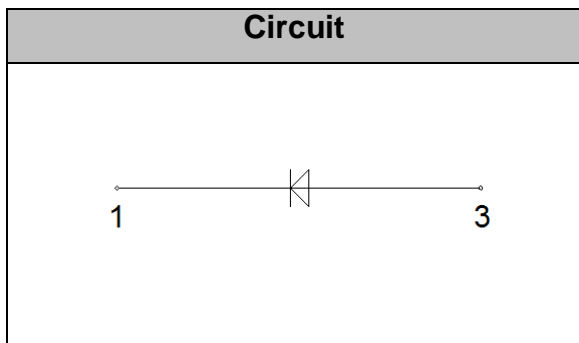
V_{RRM} 200V **V_{RSM}** 200V
I_{FAV} 600 A

Applications

- Plating Power Supply
- High Frequency Power Supply
- High Current Switching Power Supply
- Free Wheeling Diode In Converters And Motor Control Circuits
- Welding Machine

Features

- Low Noise Switching
- Low Forward Voltage
- Extremely Low Switching Losses
- Isolation Voltage 3000V
- Low I_{rrm} Values



Maximum Ratings

Symbol	Conditions	Values	Units
V _{RRM}	T _J =25°C	200	V
I _{F(AV)}	T _C =90°C; rectangular, d=0.5	600	A
I _{FRMS}	T _C =90°C	848	A
I _{FSM}	T _J =45°C, t=10ms (50Hz), Sine	6000	A
I ² t	T _J =45°C, t=10ms (50Hz), Sine	180000	A ² s
T _J		-40 to +150	°C
T _{STG}		-40 to +125	°C
Visol	AC (50Hz), ton=1 min	3000	V
Torque	Recommended (M6)	4.5	N·m
Torque	Recommended (M6)	4.5	N·m
Weight		160	g

Thermal Characteristics

Symbol	Conditions	Values	Units
R _{th(j-c)}	Per Module	0.1	°C/W

Electrical Characteristics

Symbol	Conditions	Values			Units
		Min.	Typ.	Max.	
I _{RM}	V _R =200V	--	--	1	mA
	V _R =200V, T _J =125°C	--	--	100	mA
V _F	I _F =300A, T _J =25°C	--	0.87	0.95	V
	I _F =300A, T _J =125°C	--	0.77	0.84	
	I _F =520A, T _J =25°C		1	1.1	
	I _F =520A, T _J =125°C		0.93	1.05	



Performance Curves

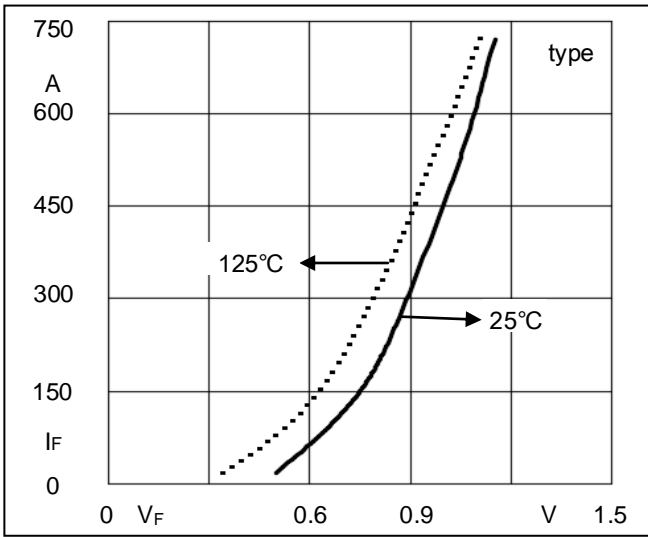


Fig1. Forward Voltage Drop vs Forward Current

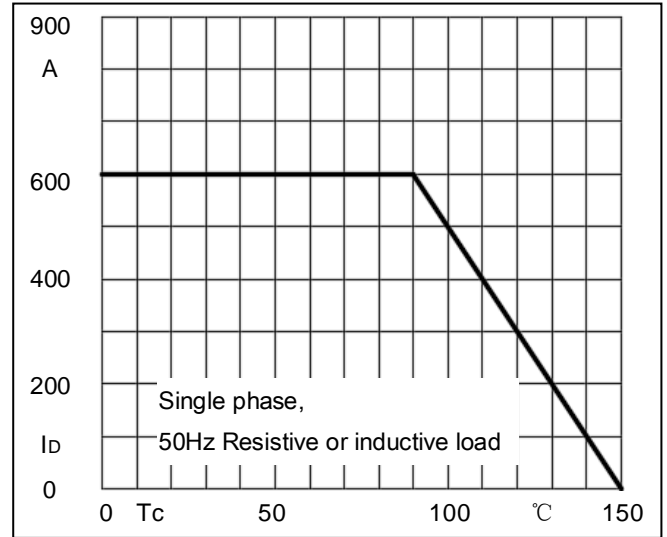


Fig2. Forward Current Derating Curve

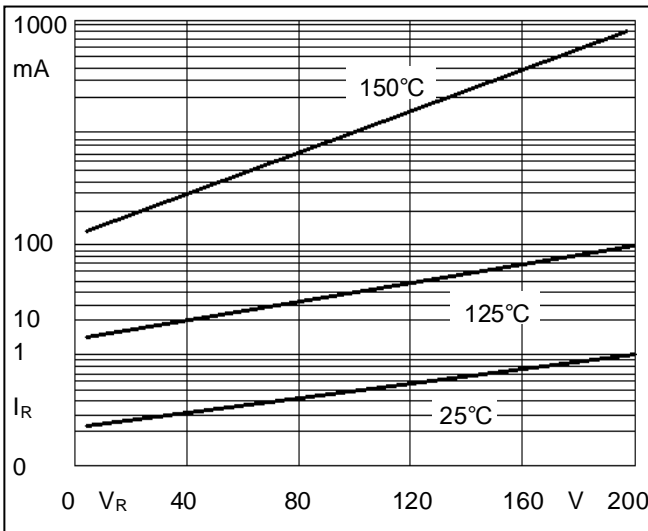
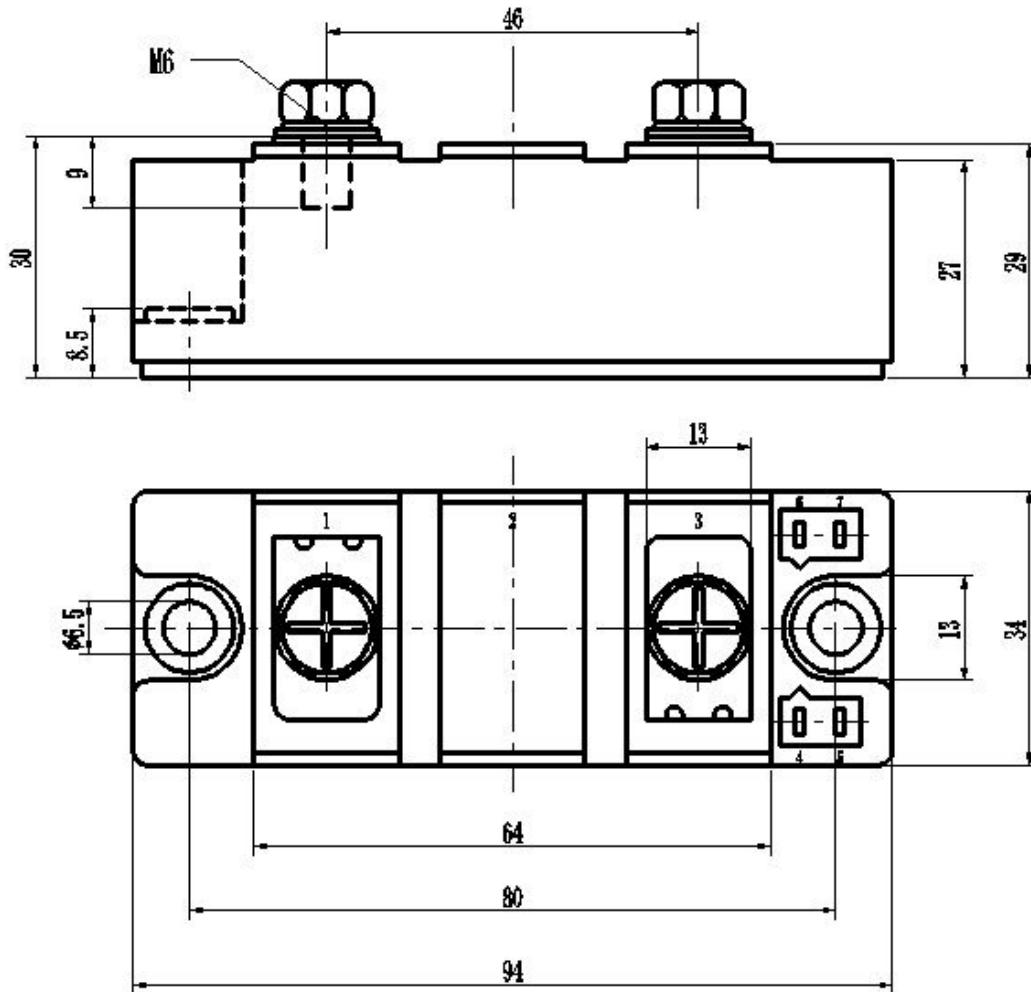


Fig3. Typical Reverse Current



Package Outline Information

CASE: F2



Dimensions in mm