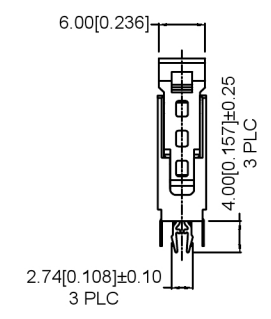
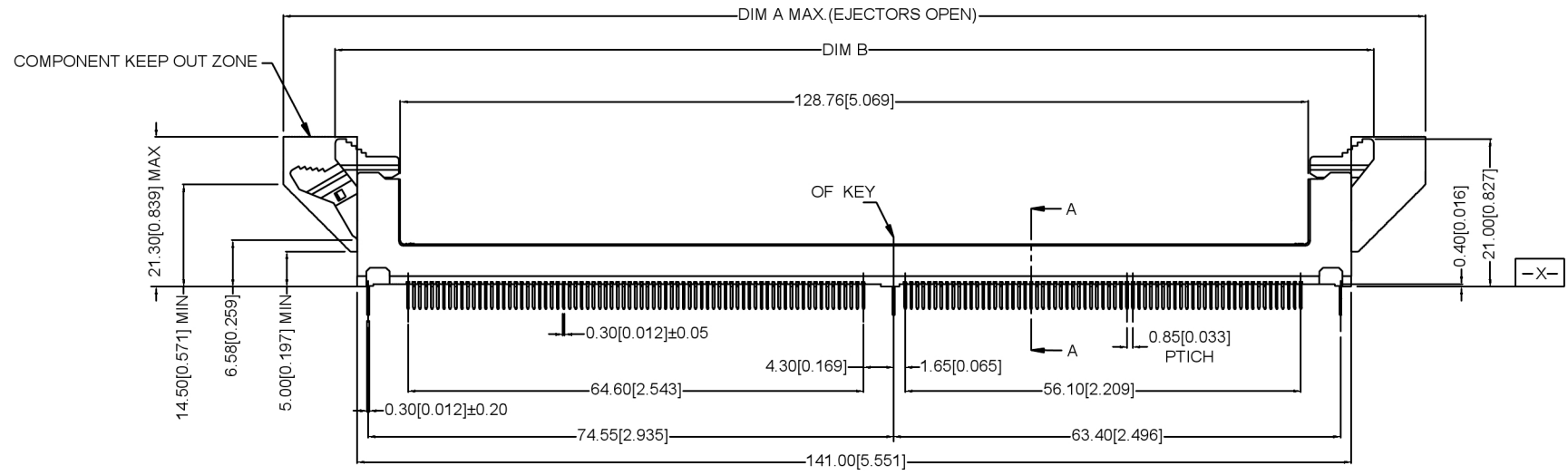


SECTION A-A
SCALE 2:1



广东星坤科技股份有限公司

Δ建	日期
Δ改	日期
ΔX	日期

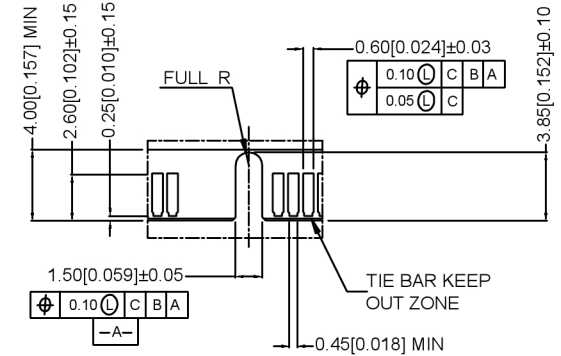
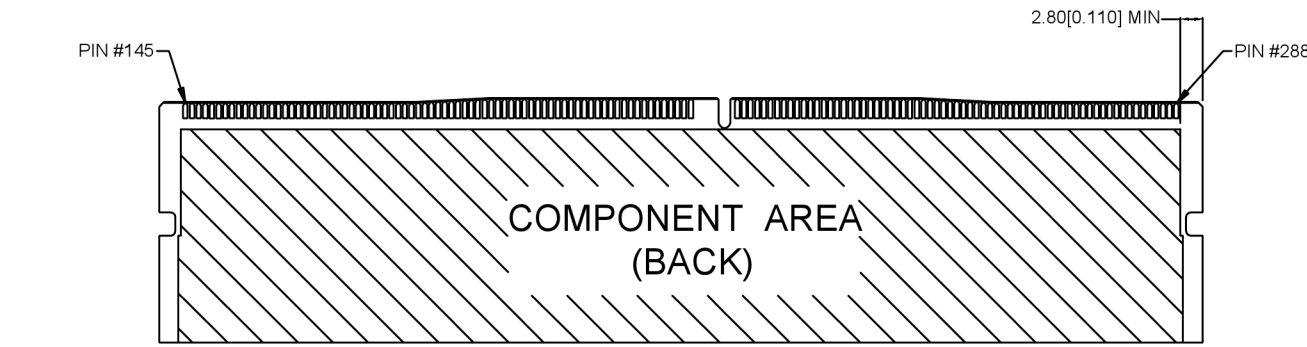
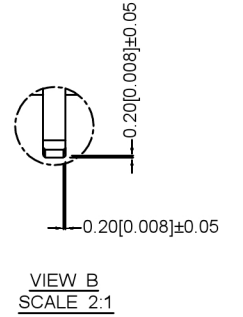
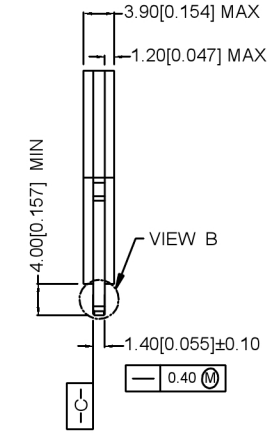
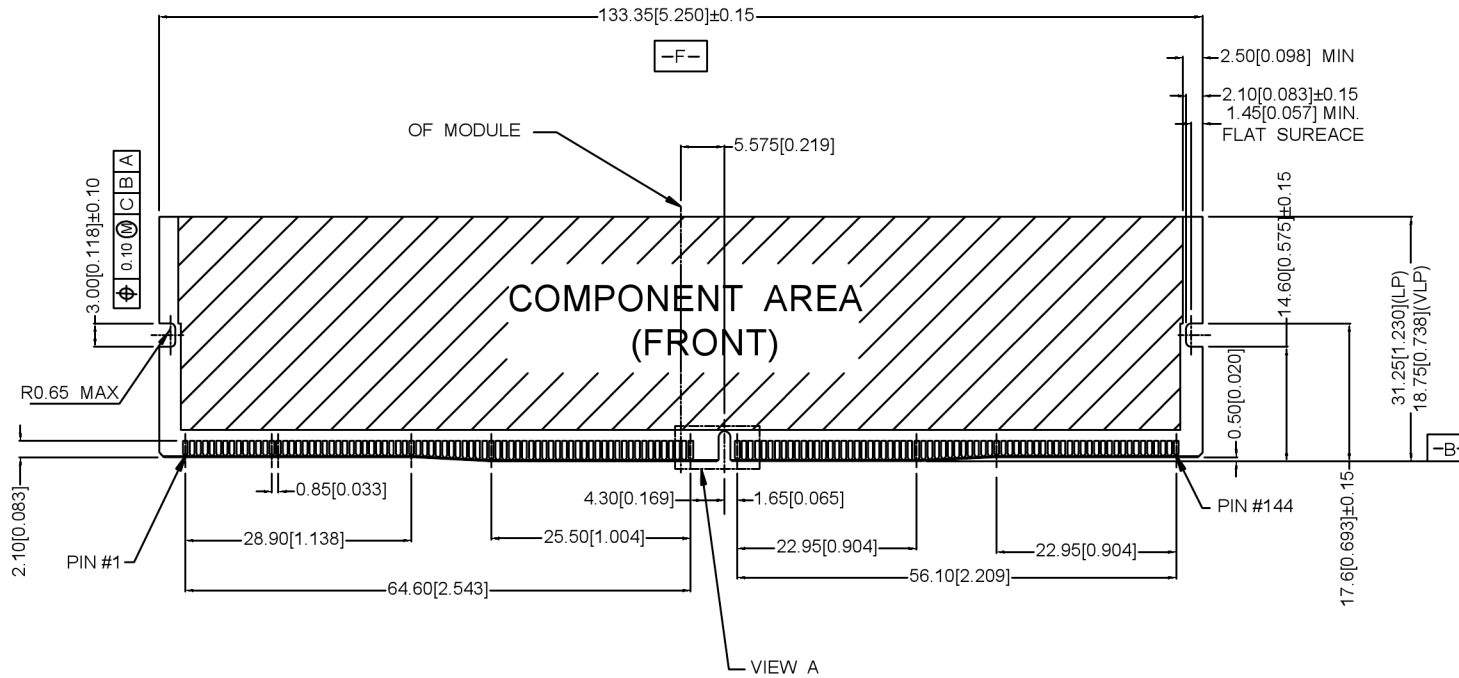
文件工程章

MARK	DESCRIPTION	DATE	REVISED	APPROVED	UNSPECIFIED TOLERANCES
	REVISIONS				

ANGLAR	±5°
L ≤ 4	±0.2
4 < L ≤ 16	±0.3
16 < L ≤ 63	±0.4
L > 63	±0.5



DSND		SCALE: N/A	MODEL TYPE:
DWN		VIEW:	PART NO.: X9405WV-288XX-46V15
CHKD		UNIT: mm/in	DWG NO.: X-X9405WV-288XX-46V15
APPD		SIZE: A4	WEIGHT
XKB INDUSTRIAL PRECISION CO., LIMITED			SHEET
			REVISION
			1/1
			A0



VIEW A
SCALE 2:1

广东星坤科技股份有限公司

△建		日期
△效		日期
△改		日期

文件工程草

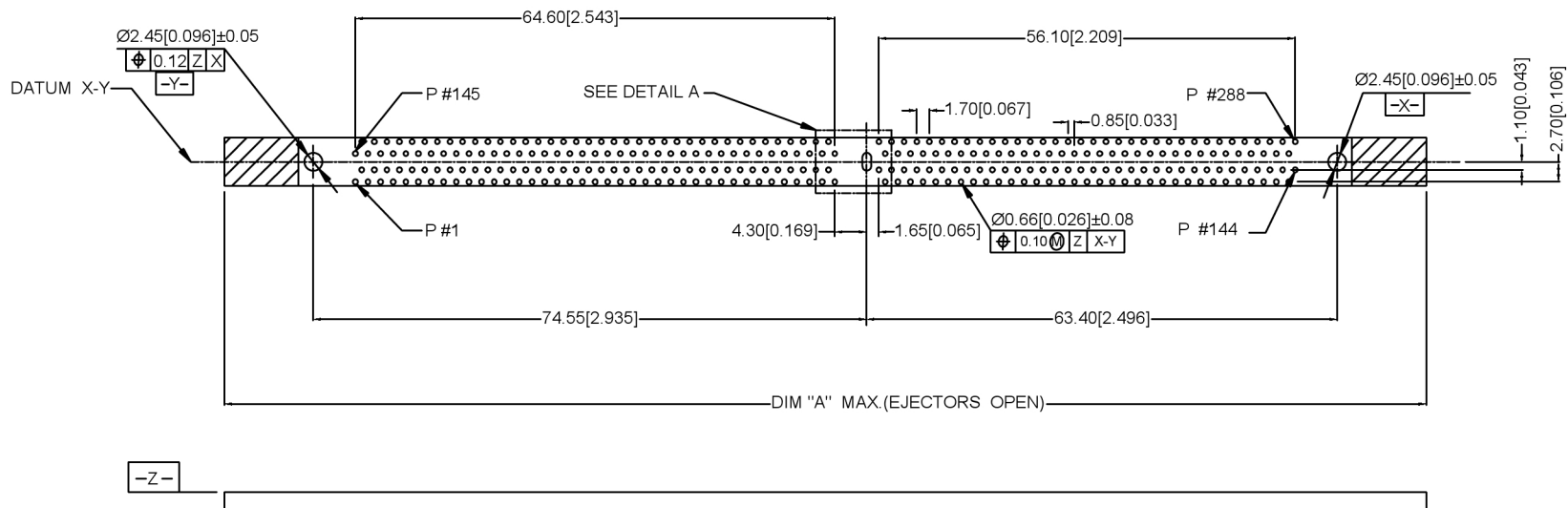
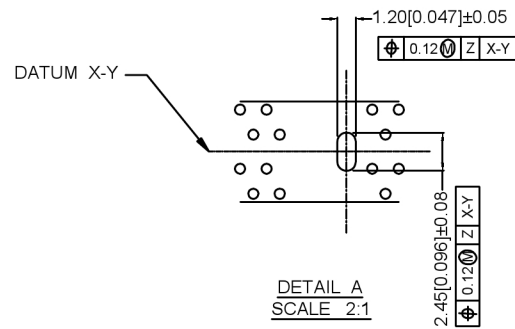
MARK	DESCRIPTION	DATE	REVISED	APPROVED	UNSPECIFIED TOLERANCES
	REVISIONS				
					ANGLAR ±5°
					L ≤ 4 ±0.2
					4 < L ≤ 16 ±0.3
					16 < L ≤ 63 ±0.4
					L > 63 ±0.5



DSND	SCALE: N/A
DWN	VIEW:
CHKD	UNIT: mm/in
APPD	SIZE: A4

XKB INDUSTRIAL PRECISION CO., LIMITED

MODEL TYPE:	
PART NO.:	X9405WV-288XX-46V15
DWG NO.:	X-X9405WV-288XX-46V15
WEIGHT	SHEET
	REVISION
	1/1
	A0



RECOMMENDED PCB LAYOUT (TOP VIEW)

广东星坤科技股份有限公司

Δ#	日期
ΔX	日期
Δ效	日期
MARK	DESCRIPTION
文件	工程章

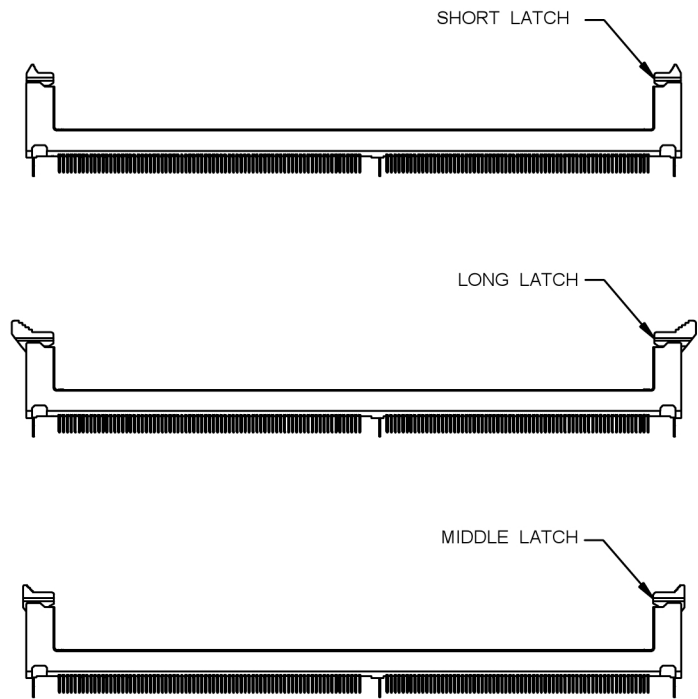
www.helloxkb.com www.helloxkb.cn www.xk-dg.cn

MARK	DESCRIPTION	DATE	REVISED	APPROVED	UNSPECIFIED TOLERANCES
	REVISIONS				
					ANGLAR ±5°
					L ≤ 4 ±0.2
					4 < L ≤ 16 ±0.3
					16 < L ≤ 63 ±0.4
					L > 63 ±0.5

XKLB

XKB INDUSTRIAL PRECISION CO., LIMITED

DSND	SCALE: N/A	MODEL TYPE:
DWN	VIEW:	PART NO.: X9405WV-288XX-46V15
CHKD	UNIT: mm/in	DWG NO.: X-X9405WV-288XX-46V15
APPD	SIZE: A4	WEIGHT SHEET REVISION
		1/1 A0



NOTES 注释:

1. MATERIAL材料:

- 1.1 HOUSING外壳:PA66, UL94 V-0, COLOR:SEE PART NO.
- 1.2 LATCH锁:PA66, UL94 V-0, COLOR: SEE PART NO..
- 1.3 CONTACTS触点: COPPER ALLOY.
- 1.4 BOARDLOCK针脚: SUS.

2. FINISH饰面:

- 2.1 CONTACT触点:
[SEE PART NO.] GOLD PLATING ON THE CONTACT AREA.
2.54um [100u"] MIN. MATTE-TIN PLATING ON THE SOLDERING AREA
1.27um [50u"] MIN. NICKEL UNDERPLATING OVERALL.

X9405 W V - 288 X X - 46 V15
 ① ② ③ ④ ⑤ ⑥ ⑦ ⑧

- 1.Series Number
- 2.Terminal form: W-Wafer
- 3.Welding Board Angle : V-Stright Angle 180°
- 4.No.of Pins: XX-288 Pin
- 5.Board lock:H-2.67mm ; I-3.18mm ; J-2.4mm
- 6.Latch Type: 1.short latch;2.long latch;3.middle Latch
- 7.latchPlastic material: PA46 /PA9T UL94V-0
- 8.Contact Plating:V01-Gold Flash
V15-Gold 15u"
V30-Gold 30u"

147.30	162.00	LONG
142.35	156.00	MIDDLE
140.80	152.00	SHORT
DIM.B±0.30	DIM.A	LATCH TYPE

广东星坤科技股份有限公司

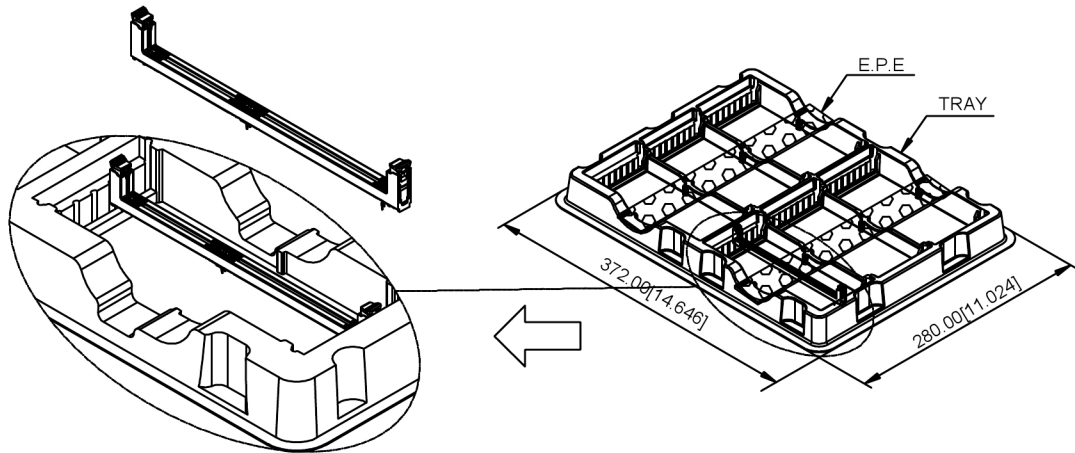
Δ建	日期
Δ改	日期
Δ文	日期
MARK	DESCRIPTION

文件工程章

ANGLAR	±5°
L ≤ 4	±0.2
4 < L ≤ 16	±0.3
16 < L ≤ 63	±0.4
L > 63	±0.5
UNSPECIFIED TOLERANCES	



DSND	SCALE: N/A	MODEL TYPE:
DWN	VIEW:	PART NO.: X9405WV-288XX-46V15
CHKD	UNIT: mm/in	DWG NO.: X-X9405WV-288XX-46V15
APPD	SIZE: A4	WEIGHT
XKB INDUSTRIAL PRECISION CO.,LIMITED		SHEET
		REVISION
		1/1
		A0



7.2KG	4.2KG	54	11	540
GROSS WEIGHT	NET WEIGHT	PCS/ TRAY	TRAY/ BOX	PCS/ BOX

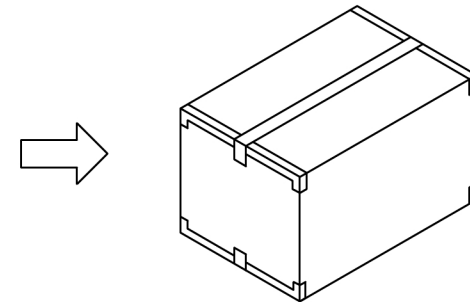
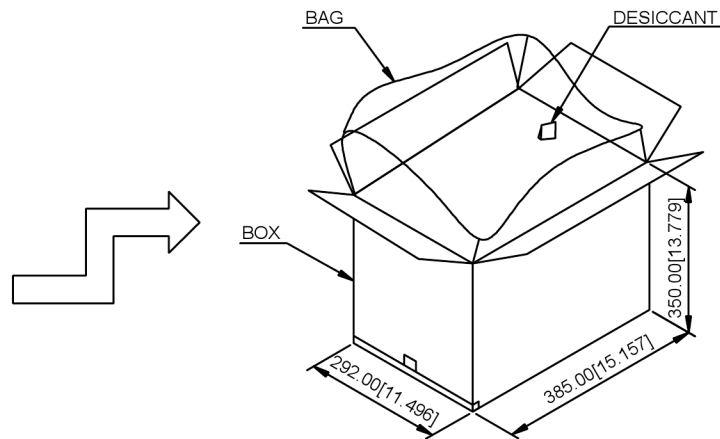
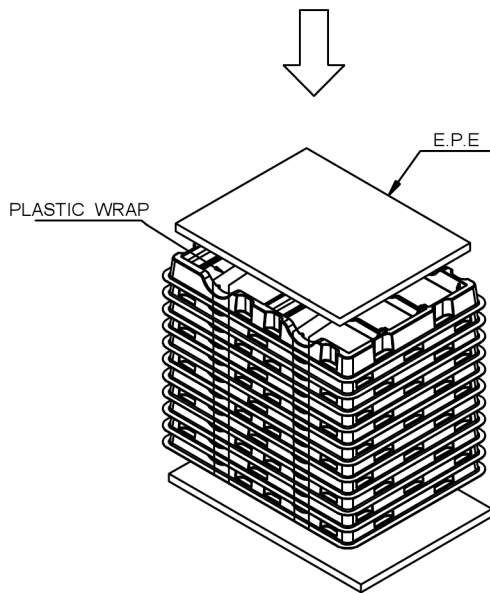
NOTES 注释:

1. MATERIAL 材料:

1.1 TRAY: PVC, COLOR: TRANSPARENT.

1.2 BOX: CORRUGATED FIBER.

1.3 TRANSPARENT BAG: PE, SIZE: 640mm*510mm*0.06mm.



广东星坤科技股份有限公司

Δ建	日期
Δ改	日期
ΔX	
MARK	DESCRIPTION
文件工程草	REVISIONS
	DATE
	REVISED
	APPROVED
	UNSPECIFIED TOLERANCES

	ANGLAR	±5°
	L ≤ 4	±0.2
	4 < L ≤ 16	±0.3
	16 < L ≤ 63	±0.4
	L > 63	±0.5



DSND	SCALE: N/A
DWN	VIEW:
CHKD	UNIT: mm/in
APPD	SIZE: A4

MODEL TYPE:		
PART NO.: X9405WV-288XX-46V15		
DWG NO.: X-X9405WV-288XX-46V15		
WEIGHT	SHEET	REVISION
	1/1	A0

XKB INDUSTRIAL PRECISION CO., LIMITED