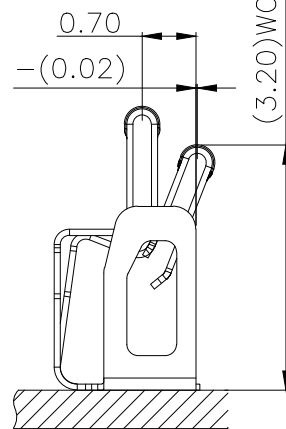
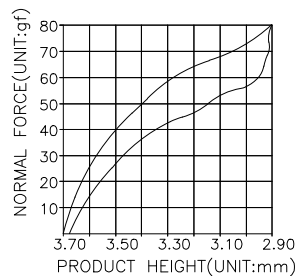
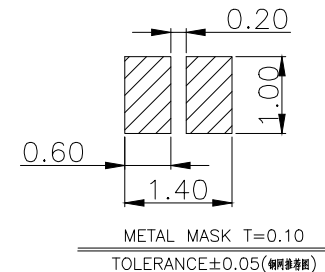
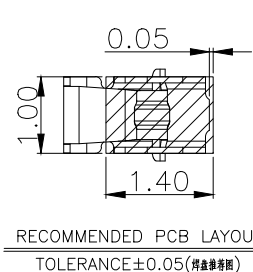
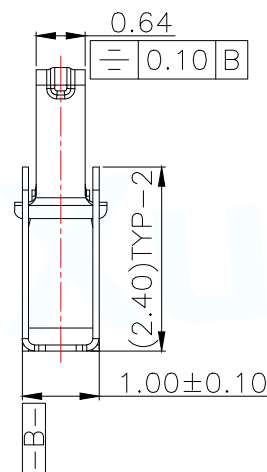
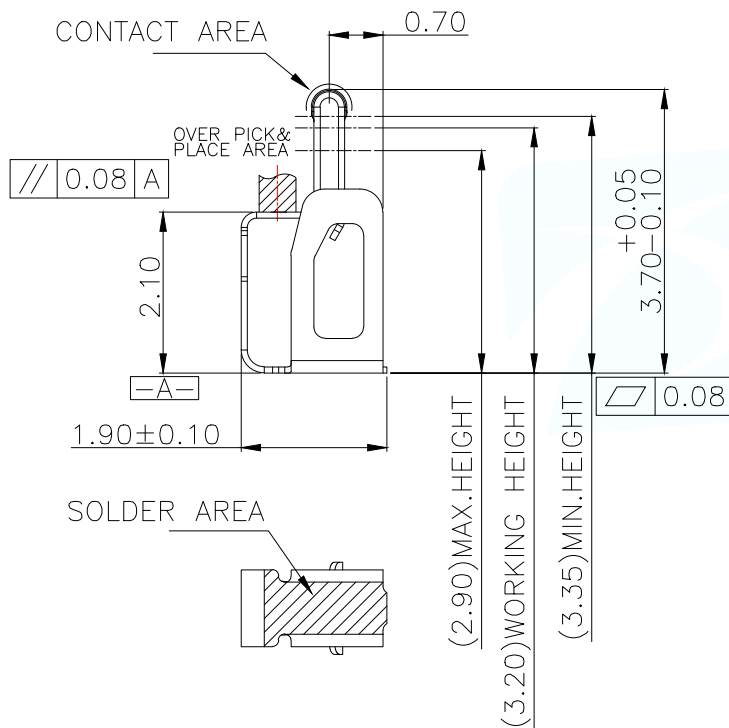


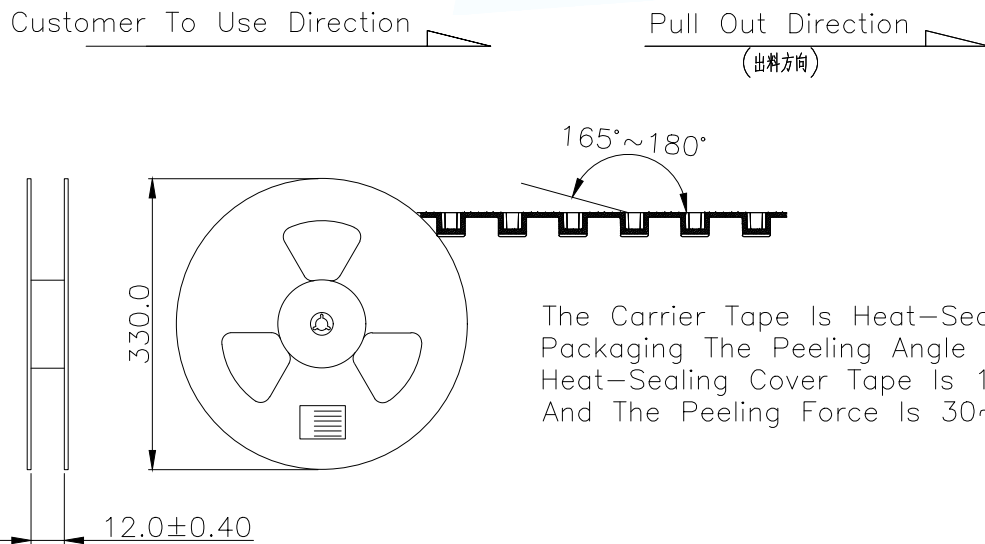
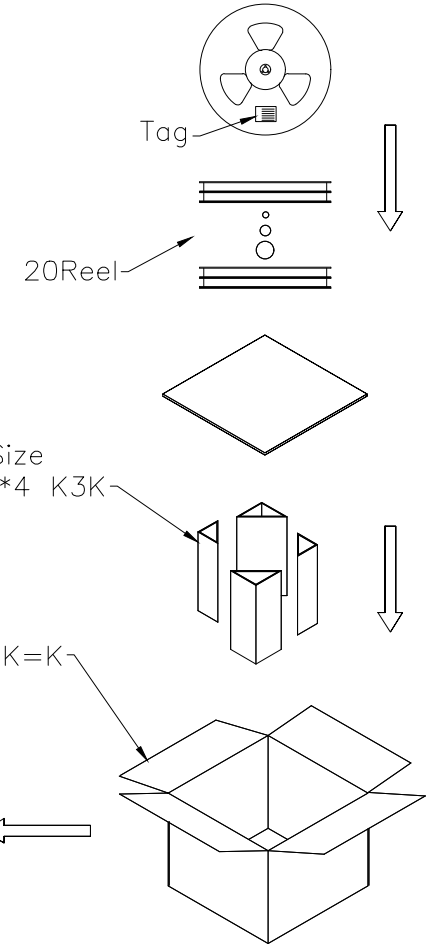
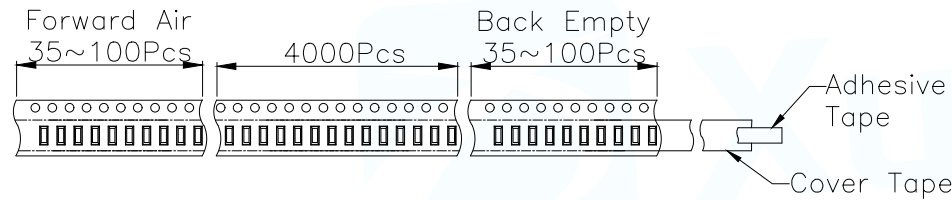
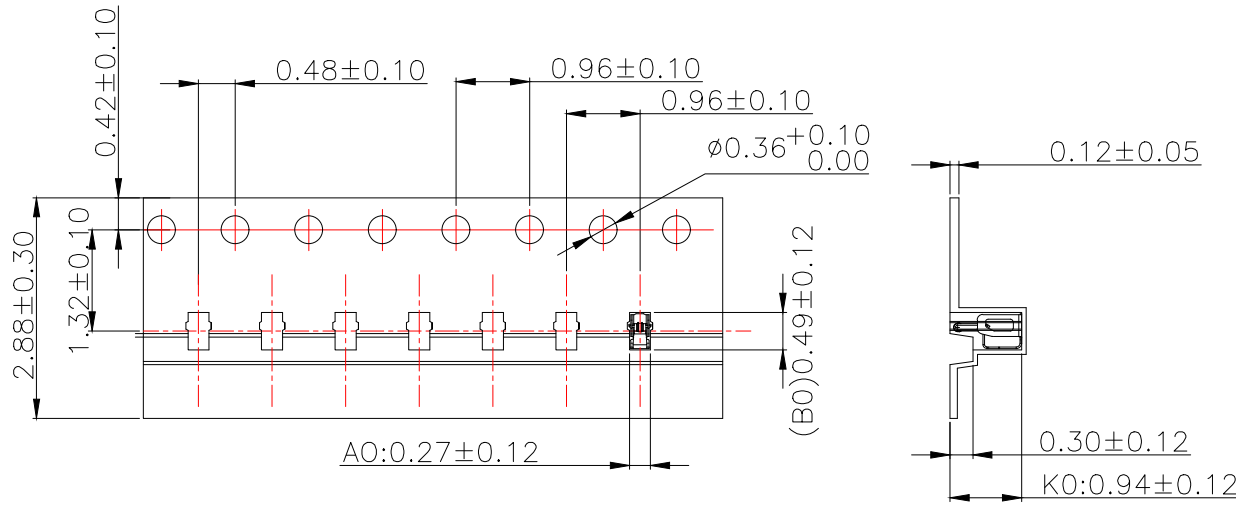
NOTES

- (1) MATERIAL: SUS-301 THICKNE=0.08mm
- (2) PRODUCT SPECIFICATIONS:
 - 2-1: RATED CURRENT: 1.0A
 - 2-2: VOLTAGE RATING: 1.50V
 - 2-3: CONTACT RESISTANCE: 80mΩ/MAX
 - 2-4: WELDING THRUST: ≥3KG
 - 2-5: OPERATING TEMPERATURE: -40°C~+85°C
 - 2-6: DURABILITY: 1500 CYCLES
- (3): SALT SPRAY: 24 HOURS
- (4): REQUIREMENTS
 - 4-1: TERMINAL TO EAT FULL TIN, NOT PEELING WELDING OBVIOUS COLOR AND OTHER ADVERSE
 - 4-2: ROHS, REACH, HF HALOGER ADVERSE OF DOMESTIC AND INTERNATIONAL ENVIRONMENTAL REQUIREMENTS



STATED AT COMPRESSION (FOR REFERENCE ONLY)

MANUFACTURE DWG		东莞市讯普电子科技有限公司 DongGuan XunPu Electronics Co., Ltd	
UNLESS OTHERWISE SPECIFIED TOLERANCES		TITLE: ANTENNA SPRING, SMT T=0.08mm	
DECIMALS:	ANGLES:	PAR	ASP-D3701-BE1
X.: ±0.30	X': ±2°	DWN	Lucas
X.X: ±0.20	X.X': ±1°	CHKD	Ethan
X.XX: ±0.15	X.XX': ±0.5°	APVD	Jacob
CUSTOMER COPY		SCALE 1:1	UNIT: MM
		SIZE: A4	SHEET: 1F1
			REV: A



The Carrier Tape Is Heat-Sealed Packaging The Peeling Angle Of The Heat-Sealing Cover Tape Is $165^\circ \sim 180^\circ$ And The Peeling Force Is $30 \sim 120g$.

Carton Size
345*345*360 K=K

MANUFACTURE DWG		 东莞市讯普电子科技有限公司 DongGuan XunPu Electronics Co.,Ltd	
UNLESS OTHERWISE SPECIFIED TOLERANCES		TITLE:ANTENNA SPRING,SMT T=0.08mm	
DECIMALS:	ANGLES:	PAR	ASP-D3701-BE1
X.: ± 0.30	X': $\pm 2'$	DWN	Lucas
X.X: ± 0.20	X.X': $\pm 1'$	CHKD	Ethan
X.XX: ± 0.15	X.XX': $\pm 0.5'$	APVD	Jacob
CUSTOMER COPY		SCALE:1:1	UNIT:MM
		SIZE:A4	SHEET:1F1
			REV:A