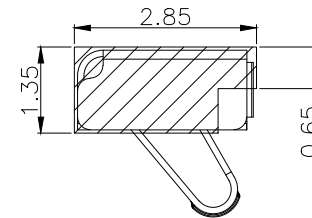
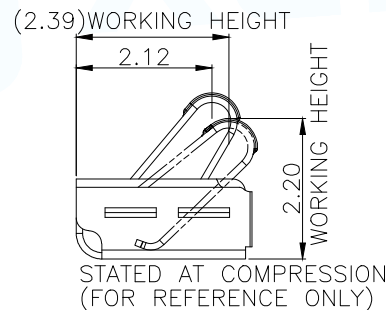
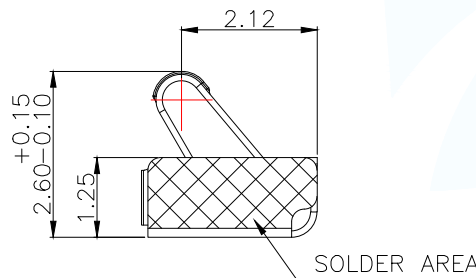
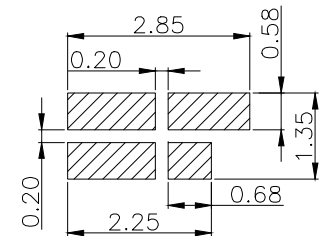


NOTES

- (1) MATERIAL: SUS-301 THICKNE=0.10mm
- (2) PRODUCT SPECIFICATIONS:
  - 2-1: RATED CURRENT: 1.0A
  - 2-2: VOLTAGE RATING: 1.50V
  - 2-3: CONTACT RESISTANCE: 80mΩ/MAX
  - 2-4: WELDING THRUST: ≥3KG
  - 2-5: OPERATING TEMPERATURE: -40°C~+85°C
  - 2-6: DURABILITY: 1500 CYCLES
- (3): SALT SPRAY: 24 HOURS
- (4): REQUIREMENTS
  - 4-1: TERMINAL TO EAT FULL TIN, NOT PEELING WELDING OBVIOUS COLOR AND OTHER ADVERSE
  - 4-2: ROHS, REACH, HF HALOGER ADVERSE OF DOMESTIC AND INTERNATIONAL ENVIRONMENTAL REQUIREMENTS

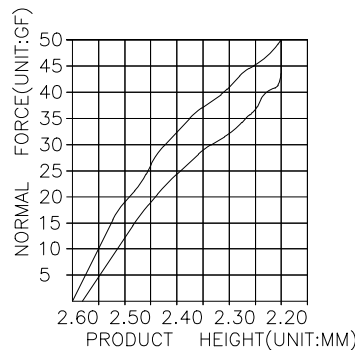
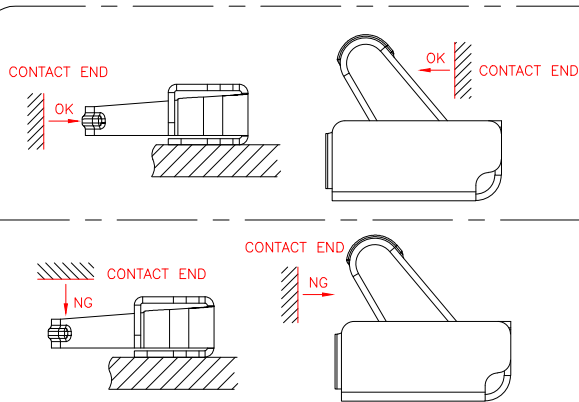


RECOMMENDED PCB LAYOUT  
TOLERANCE ±0.05 (焊盘推荐图)

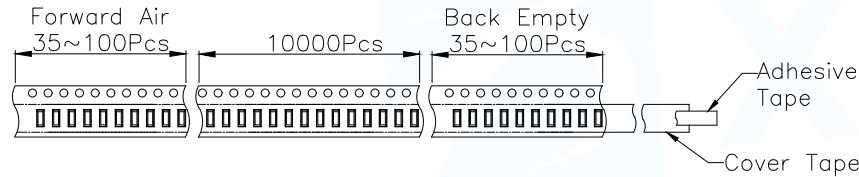
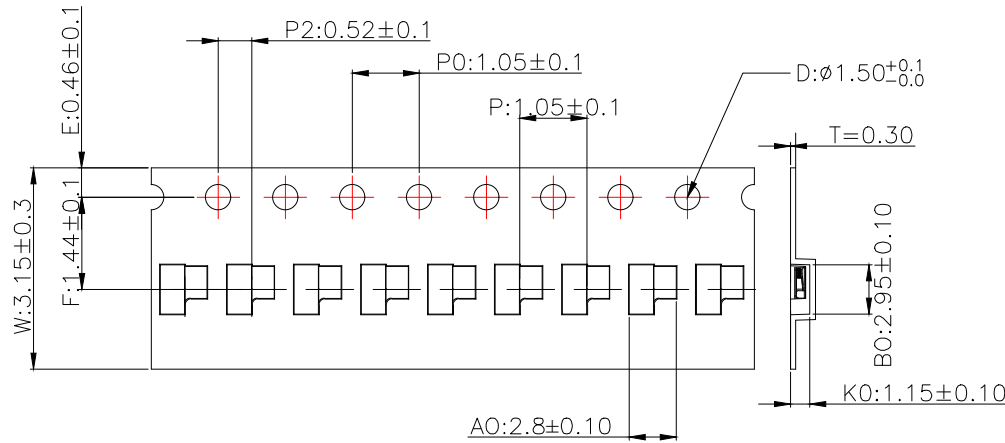


METAL MASK T=0.10  
TOLERANCE ±0.05 (钢网推荐图)

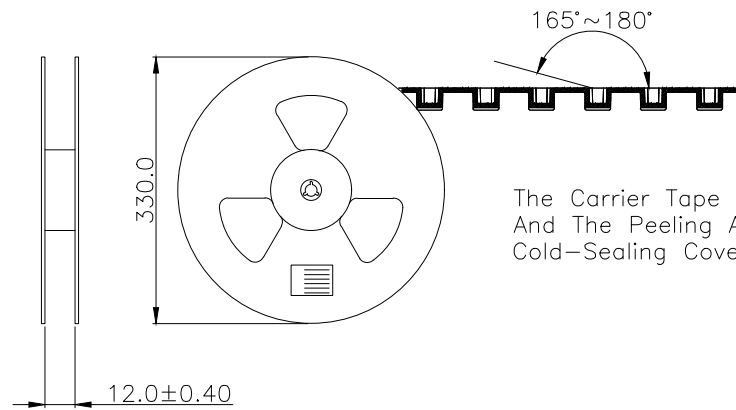
INSTRUCTIONS FOR USE



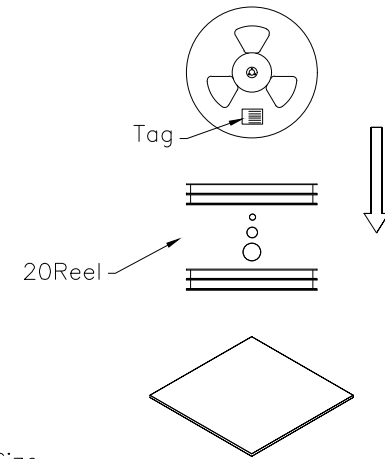
MANUFACTURE DWG		东莞市讯普电子科技有限公司 DongGuan XunPu Electronics Co., Ltd	
UNLESS OTHERWISE SPECIFIED TOLERANCES			TITLE: 天线弹片 L2.75*W0.95*H2.60
DECIMALS:	ANGLES:		PAR ASP-D2607-A01
X.: ±0.30	X': ±2°		DWN Lucas
X.X: ±0.20	X.X': ±1°		CHKD Ethan
X.XX: ±0.15	X.XX': ±0.5°	CUSTOMER COPY	APVD Jacob
		SCALE 1:1	UNIT: MM
		SIZE: A4	SHEET: 1F1
			REV: A



Customer To Use Direction Pull Out Direction (出料方向)

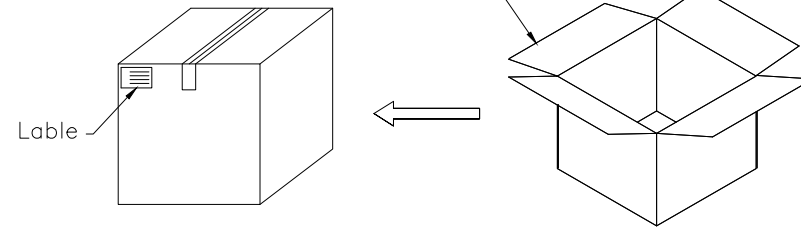


The Carrier Tape Is Cold-Sealed And The Peeling Angle Of The Cold-Sealing Cover Tape Is 165°~180°.



Carton Size 290\*330\*4 K3K

Carton Size 345\*345\*360 K=K



MANUFACTURE DWG		东莞市讯普电子科技有限公司 DongGuan XunPu Electronics Co.,Ltd	
UNLESS OTHERWISE SPECIFIED TOLERANCES		TITLE: 天线弹片 L2.75*W0.95*H2.60	
		PAR	ASP-D2607-A01
		DWN	Lucas
		CHKD	Ethan
		APVD	Jacob
		SCALE:1:1	UNIT:MM
DECIMALS:	ANGLES:	SIZE:A4	SHEET:1F1
X.:±0.30	X.':±2°		REV:A
X.X:±0.20	X.X':±1°		
X.XX:±0.15	X.XX':±0.5°		



CUSTOMER COPY