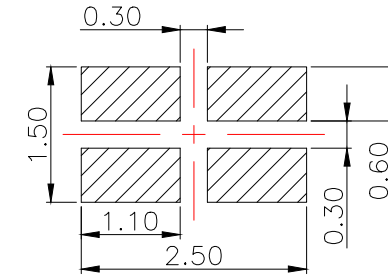
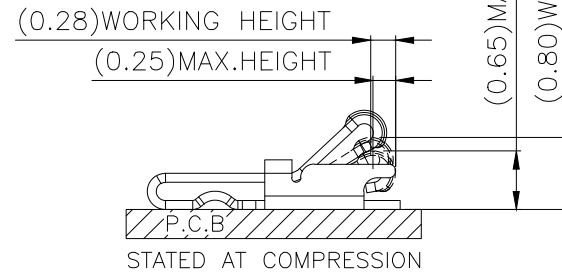
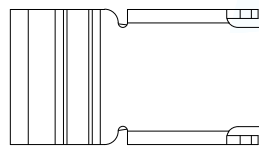
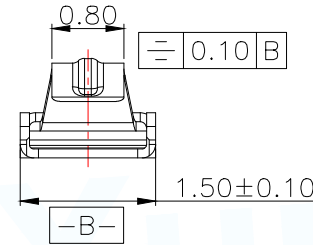
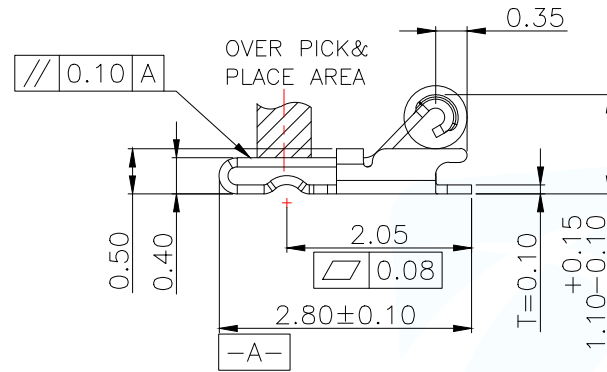
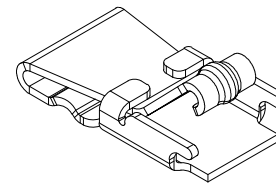
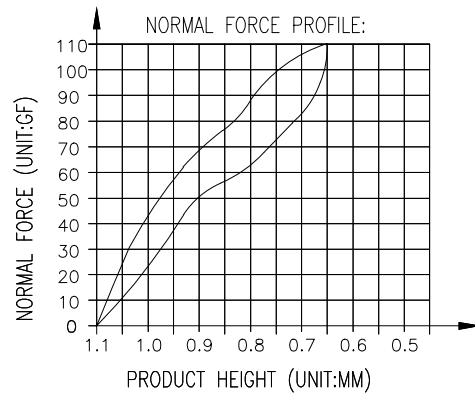


NOTES

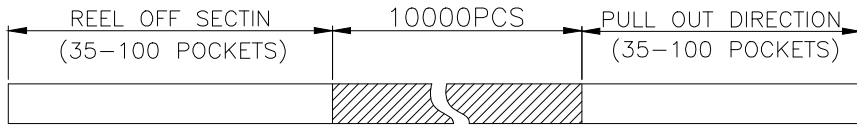
- (1) MATERIAL: SUS-304 THICKNE=0.10mm
- (2) PRODUCT SPECIFICATIONS:
 - 2-1: RATED CURRENT: 1.0A
 - 2-2: VOLTAGE RATING: 1.50V
 - 2-3: CONTACT RESISTANCE: 80m Ω /MAX
 - 2-4: WELDING THRUST: >3KG
 - 2-5: OPERATING TEMPERATURE: -40°C~+85°C
 - 2-6: DURABILITY: 1500 CYCLES
- (3): SALT SPRAY: 24 HOURS
- (4): FINISH: 50u"Min NICKEL UNDERPLATING OVER ALL.
- (5): REQUIREMENTS
 - 5-1: TERMINAL TO EAT FULL TIN, NOT PEELING WELDING OBVIOUS COLOR AND OTHER ADVERSE
 - 5-2: ROHS, REACH, HF HALOGEN ADVERSE OF DOMESTIC AND INTERNATIONAL ENVIRONMENTAL REQUIREMENTS



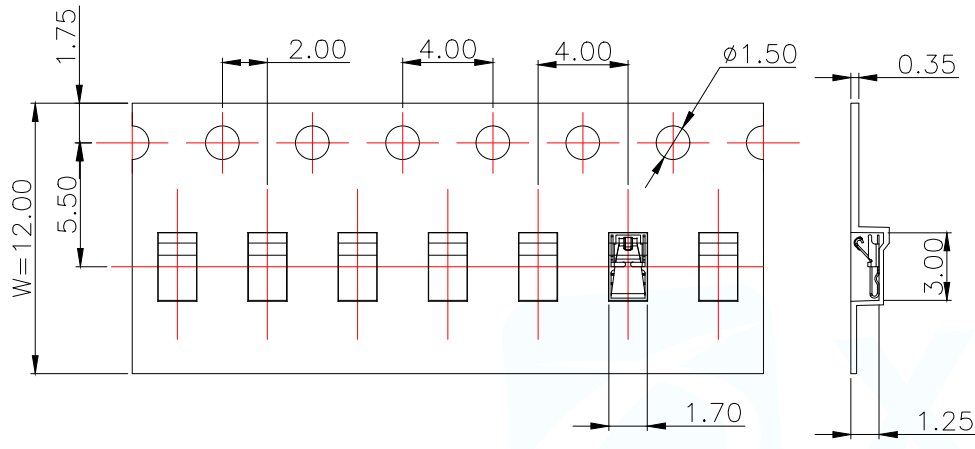
RECOMMENDED PCB LAYOUT
GENERAL TOLERANCE ± 0.05



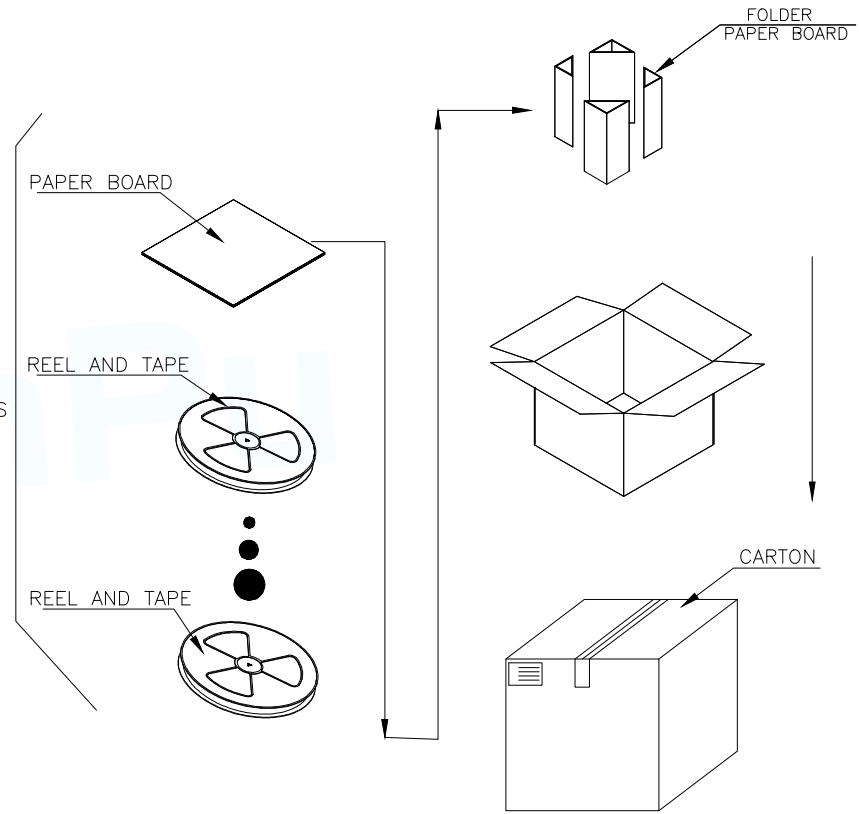
MANUFACTURE DWG		东莞市讯普电子科技有限公司 DongGuan XunPu Electronics Co., Ltd	
UNLESS OTHERWISE SPECIFIED TOLERANCES			TITLE: H1.10 ANTENNA SPRING TERMINAL, T=0.10mm
DECIMALS:	ANGLES:		PAR ASP-D1103-A01
X.: ± 0.30	X': $\pm 2^\circ$		DWN Lucas
X.X: ± 0.20	X.X': $\pm 1^\circ$		CHKD Ethan
X.XX: ± 0.15	X.XX': $\pm 0.5^\circ$	CUSTOMER COPY	APVD Jacob
		SCALE: 1:1	UNIT: MM
		SIZE: A4	SHEET: 1F1
			REV: A



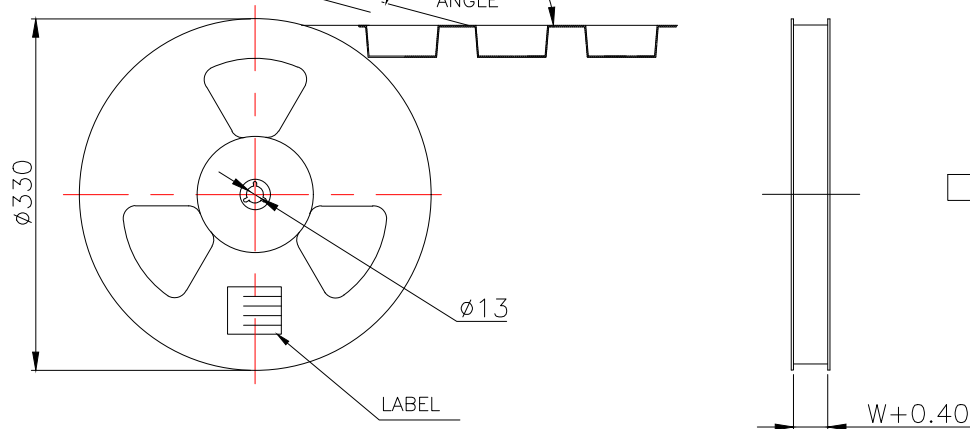
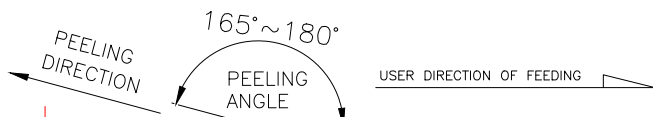
CONN. QTY./REEL	REEL QTY./CARTON	CONN. QTY./CARTON
10000	20	200,000



← PRODUCT PACKAGING DIRECTION
 CUSTOMER TO USE DIRECTION →



TOTAL 20LAYERS



MANUFACTURE DWG			东莞市讯普电子科技有限公司 DongGuan XunPu Electronics Co.,Ltd	
UNLESS OTHERWISE SPECIFIED TOLERANCES			TITLE:H1.10 ANTENNA SPRING TERMINAL,T=0.10mm	
DECIMALS:	ANGLES:	PAR	ASP-D1103-A01	
X.:±0.30	X':±2°	DWN	Lucas	
X.X:±0.20	X.X':±1°	CHKD	Ethan	
X.XX:±0.15	X.XX':±0.5°	APVD	Jacob	
		SCALE:1:1	UNIT:MM	
		SIZE:A4	SHEET:1F1	REV:A