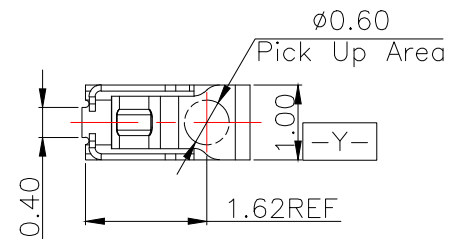
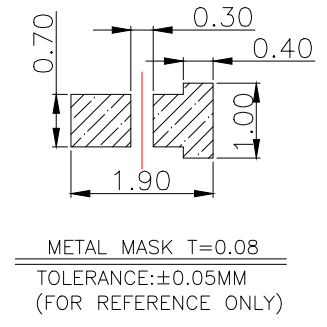
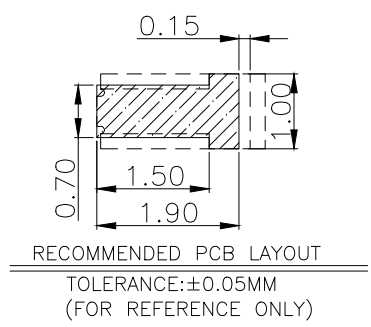
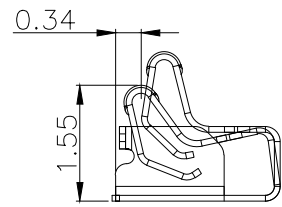
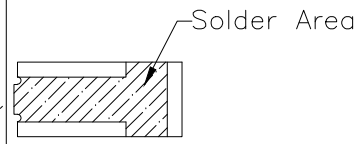
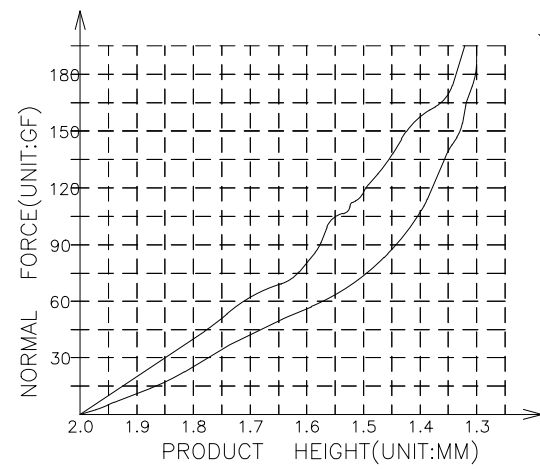
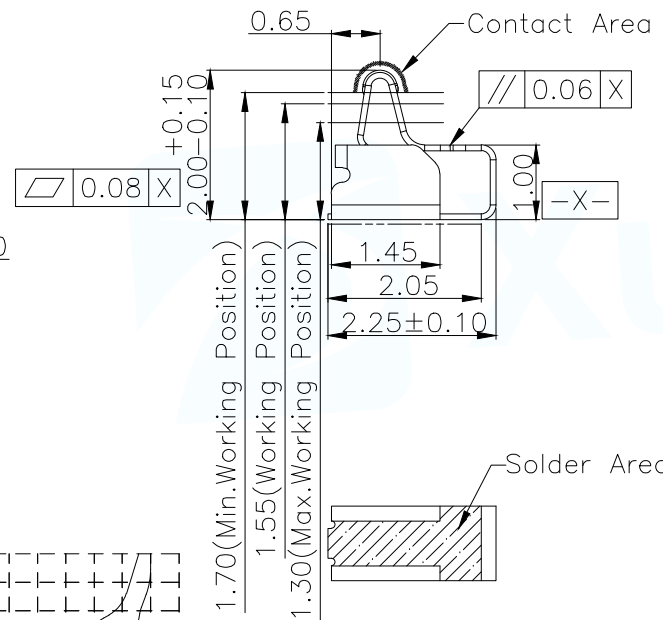
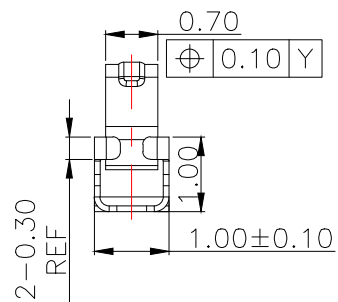


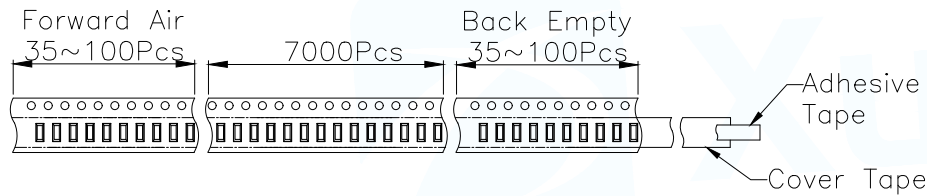
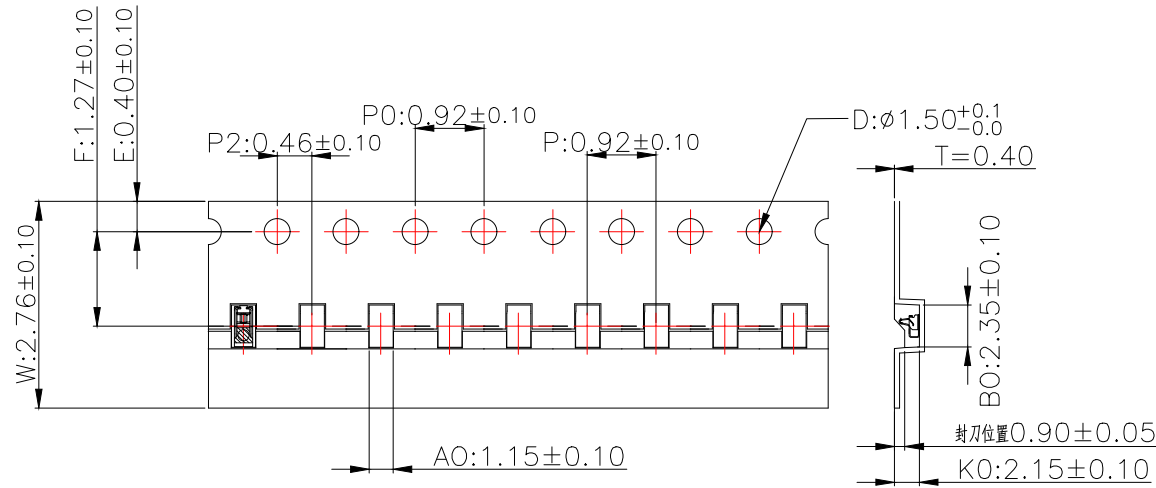
3D View



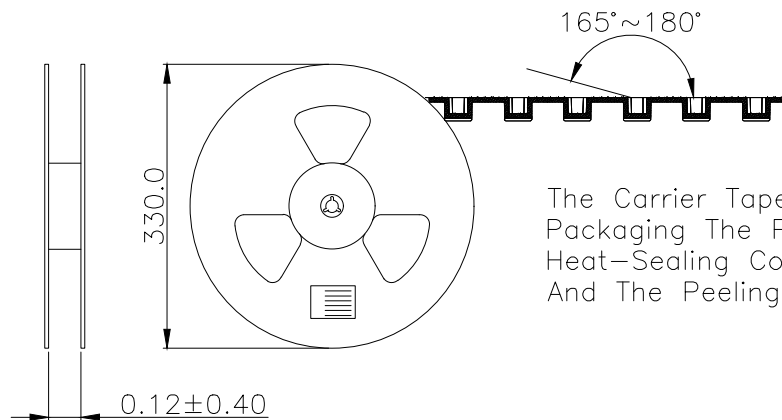
- NOTES:
- MATERIAL
    - 1-1: SUS-301 THICKNE=0.08MM
  - SPECIFICATIONS
    - 2-1: RATED CURRENT: 1.0A
    - 2-2: VOLTAGE RATING: 1.5V
    - 2-3: CONTACT RESISTANCE: 80mΩ/MAX
    - 2-4: WELDING THRUST: ≥3KG
    - 2-5: OPERATING TEMPERATURE: -40°C~+85°C
  - DURABILITY: 1500 CYCLES
  - SALT SPRAY TIME: 24H
  - ELECTROPLATE: THE NICKEL-PLATED SUBSTRATE IS 50u" MIN
  - REQUIREMENTS
    - 6-1: TERMINAL TO EAT FULL TIN, NOT PEELING, WELDING OBVIOUS COLOR AND OTHER ADVERSE
    - 6-2: ROHS, REACH, HF HALOGER ADVERSE OF DOMESTIC AND INTERNATIONAL ENVIRONMENTAL REQUIREMENTS



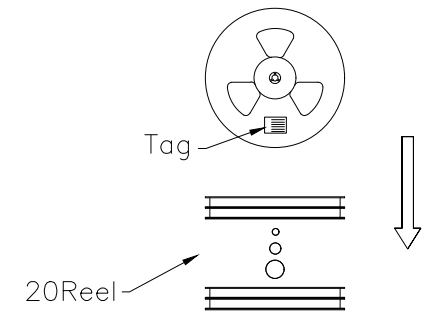
MANUFACTURE DWG		东莞市讯普电子科技有限公司 DongGuan XunPu Electronics Co., Ltd	
UNLESS OTHERWISE SPECIFIED TOLERANCES			TITLE: 天线弹片 L2.25*W1.00*H2.00
DECIMALS:	ANGLES:		PAR ASP-D2005-B01
X.: ±0.30	X': ±2°		DWN Lucas
X.X: ±0.20	X.X': ±1°		CHKD Ethan
X.XX: ±0.15	X.XX': ±0.5°	CUSTOMER COPY	APVD Jacob
		SCALE: 1:1	UNIT: MM
		SIZE: A4	UNIT: MM
		SHEET: 1F1	REV: A



Customer To Use Direction Pull Out Direction (出料方向)

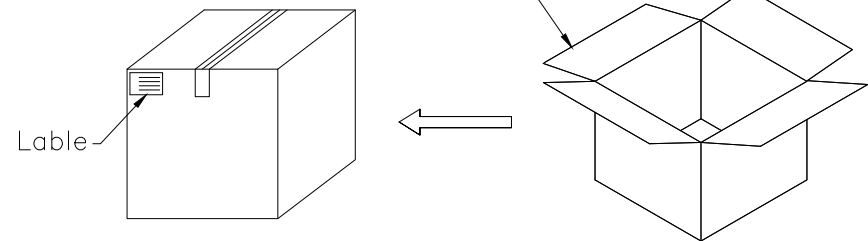


The Carrier Tape Is Heat-Sealed Packaging The Peeling Angle Of The Heat-Sealing Cover Tape Is 165°~180° And The Peeling Force Is 30~120g.



Carton Size 290\*330\*4 K3K

Carton Size 345\*345\*360 K=K



MANUFACTURE DWG		东莞市讯普电子科技有限公司 DongGuan XunPu Electronics Co.,Ltd	
UNLESS OTHERWISE SPECIFIED TOLERANCES		TITLE: 天线弹片 L2.25*W1.00*H2.00	
		PAR	ASP-D2005-B01
DECIMALS:	ANGLES:	DWN	Lucas
X.:±0.30	X.':±2°	CHKD	Ethan
X.X:±0.20	X.X':±1°	APVD	Jacob
X.XX:±0.15	X.XX':±0.5°	SCALE:1:1	UNIT:MM
CUSTOMER COPY		SIZE:A4	SHEET:1F1
			REV:A