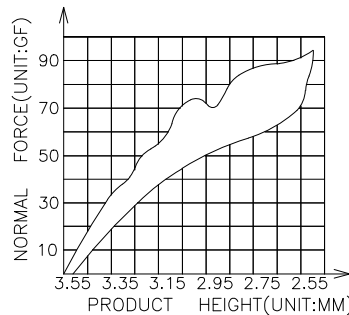
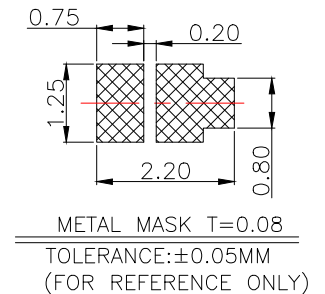
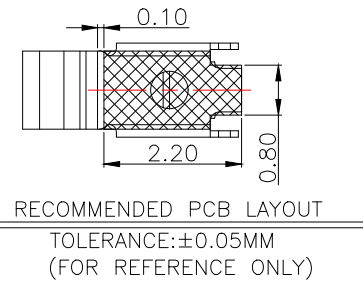
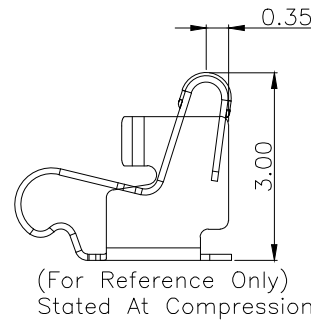
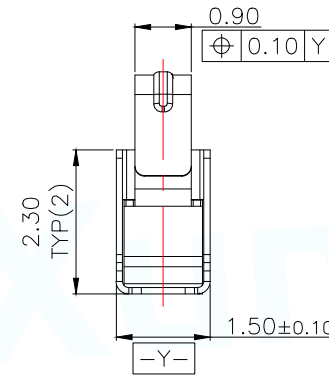
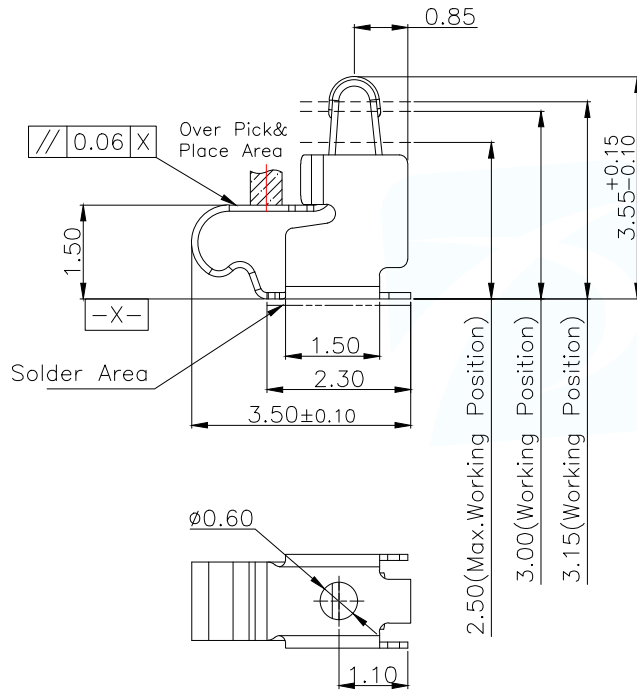


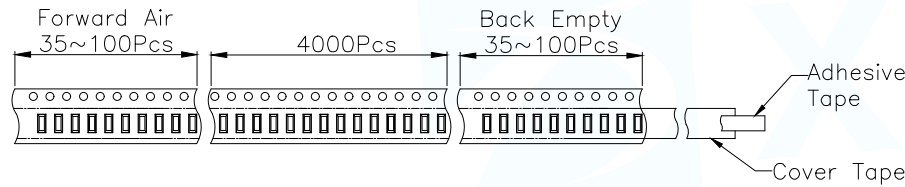
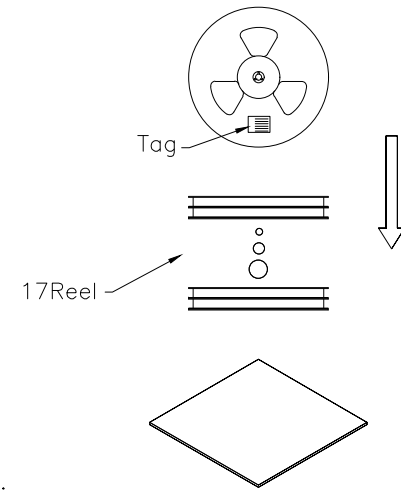
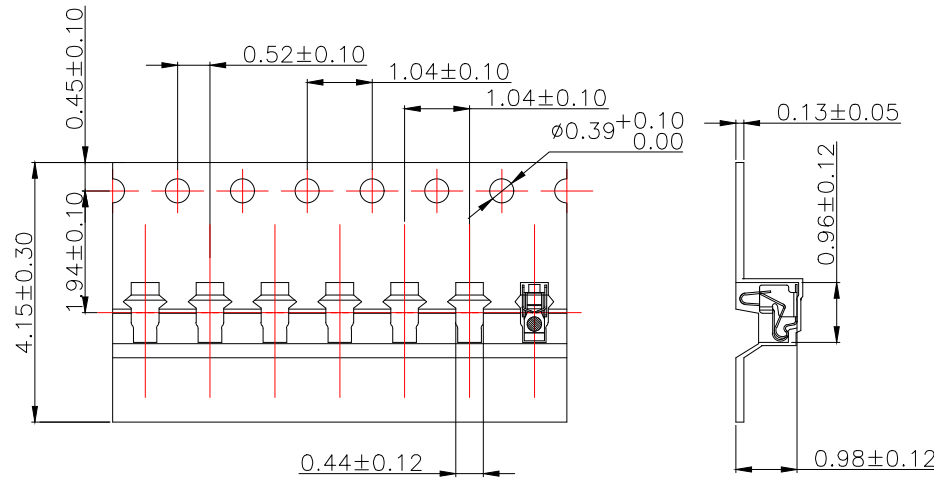
3D View

NOTES:

- 1: MATERIAL  
1-1: SUS-304 THICKNE=0.10MM
- 2: SPECIFICATIONS  
2-1: RATED CURRENT: 1.0A  
2-2: VOLTAGE RATING: 1.5V  
2-3: CONTACT RESISTANCE: 80mΩ/MAX  
2-4: WELDING THRUST: ≥3KG  
2-5: OPERATING TEMPERATURE: -40°C~+85°C
- 3: DURABILITY: 1500 CYCLES
- 4: SALT SPRAY TIME: 24H
- 5: ELECTROPLATE: THE NICKEL-PLATED SUBSTRATE IS 50u" MIN
- 6: REQUIREMENTS  
6-1: TERMINAL TO EAT FULL TIN, NOT PEELING, WELDING OBVIOUS COLOR AND OTHER ADVERSE  
6-2: ROHS, REACH, HF HALOGEN ADVERSE OF DOMESTIC AND INTERNATIONAL ENVIRONMENTAL REQUIREMENTS



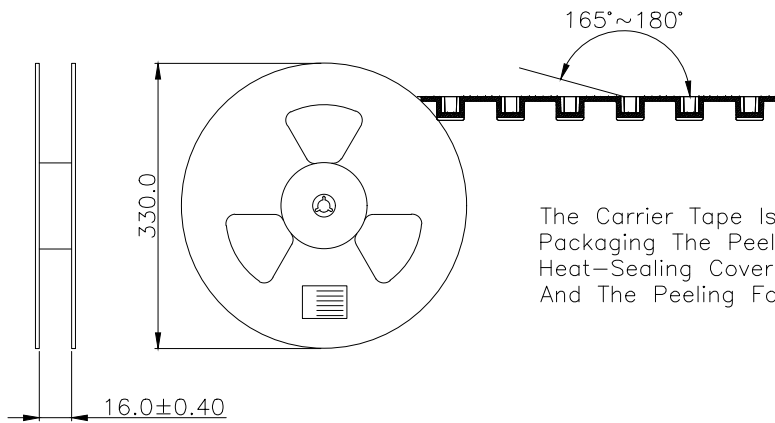
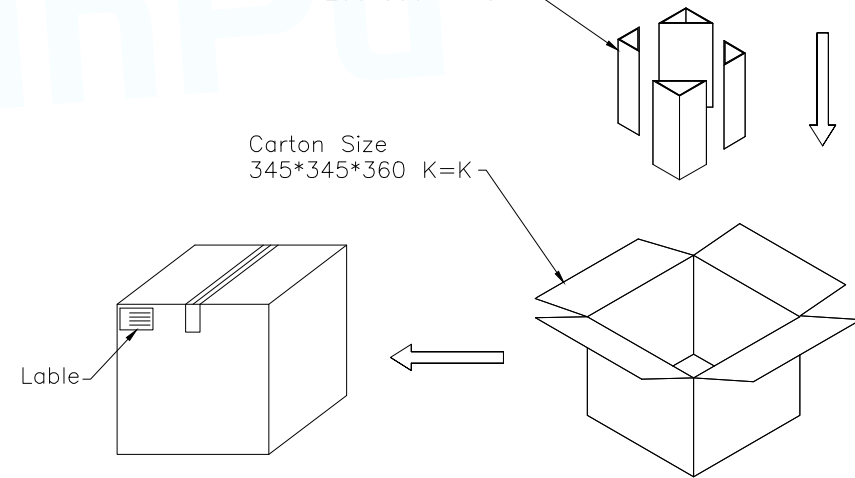
MANUFACTURE DWG		东莞市讯普电子科技有限公司 DongGuan XunPu Electronics Co., Ltd	
UNLESS OTHERWISE SPECIFIED TOLERANCES			TITLE: 天线弹片 L3.50*W1.50*H3.55
DECIMALS: X.:±0.30 X.X:±0.20 X.XX:±0.15			PAR ASP-D3501-A01
ANGLES: X.:±2° X.X':±1° X.XX':±0.5'			DWN Lucas
			CHKD Ethan
		APVD Jacob	SCALE 1:1
		CUSTOMER COPY	UNIT:MM
		SIZE: A4	SHEET: 1F1
			REV: A



Carton Size  
290\*330\*4 K3K

Carton Size  
345\*345\*360 K=K

Customer To Use Direction Pull Out Direction (出料方向)



The Carrier Tape Is Heat-Sealed Packaging The Peeling Angle Of The Heat-Sealing Cover Tape Is 165°~180° And The Peeling Force Is 30~120g.

MANUFACTURE DWG		东莞市讯普电子科技有限公司 DongGuan XunPu Electronics Co.,Ltd	
UNLESS OTHERWISE SPECIFIED TOLERANCES		TITLE: 天线弹片 L3.50*W1.50*H3.55	
		PAR	ASP-D3501-A01
DECIMALS:	ANGLES:	DWN	Lucas
X.:±0.30	X.':±2°	CHKD	Ethan
X.X:±0.20	X.X':±1°	APVD	Jacob
X.XX:±0.15	X.XX':±0.5°	SCALE:1:1	UNIT:MM
CUSTOMER COPY		SIZE:A4	SHEET:1F1
			REV:A