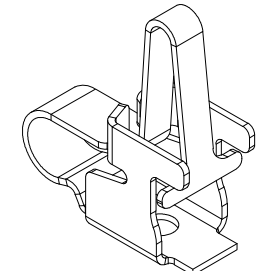
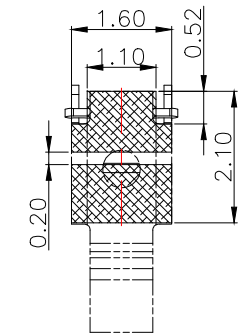
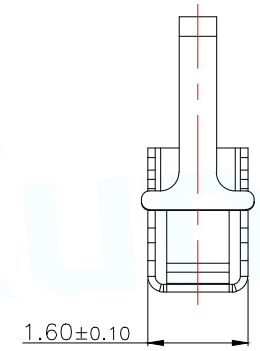
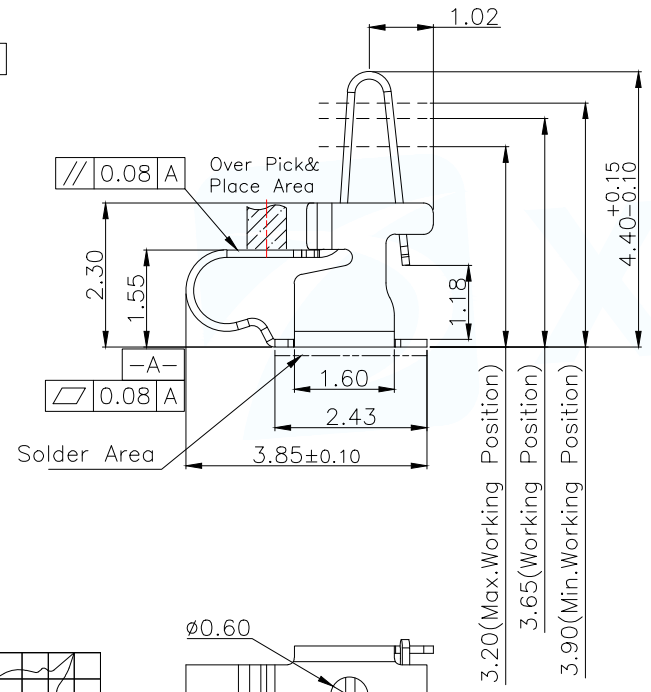
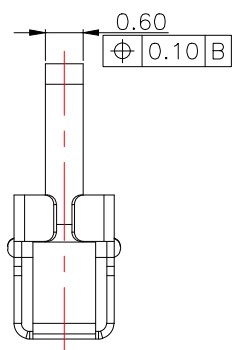


(For Reference Only)
Stated At Compression



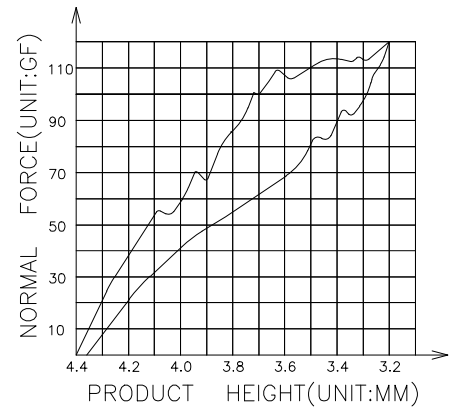
3D View



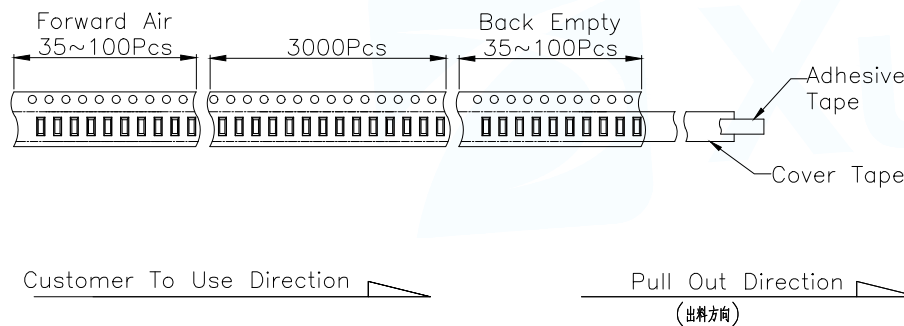
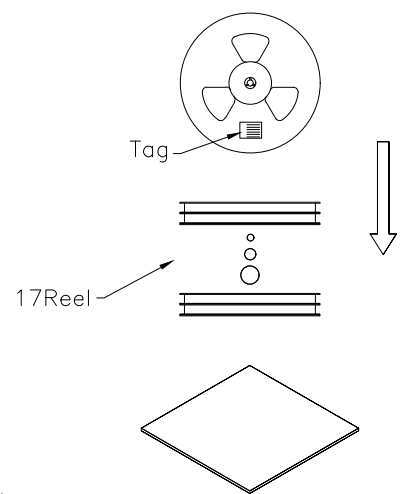
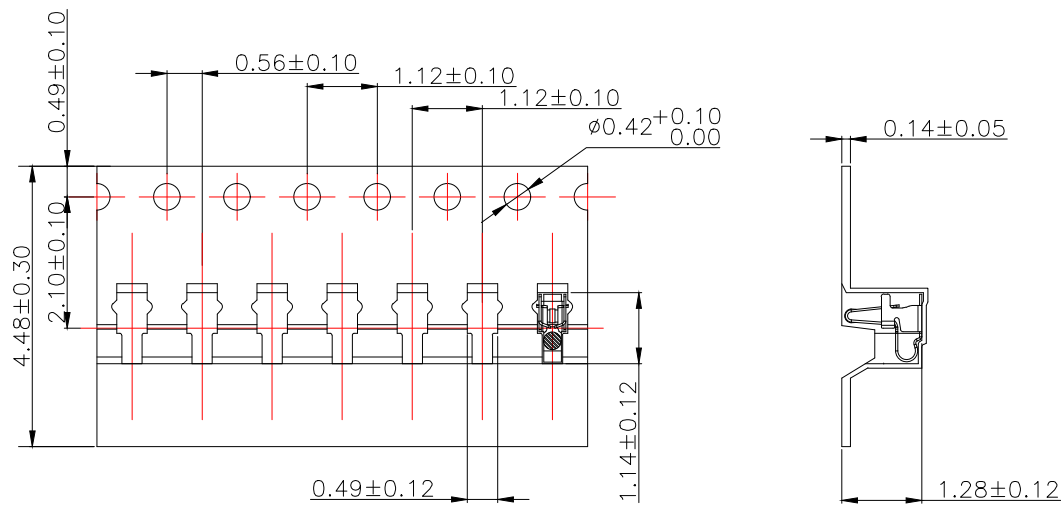
METAL MASK T=0.08
TOLERANCE: ±0.05MM
(FOR REFERENCE ONLY)

NOTES:

- MATERIAL
1-1: SUS-304 THICKNE=0.12MM
- SPECIFICATIONS
2-1: RATED CURRENT: 1.0A
2-2: VOLTAGE RATING: 1.5V
2-3: CONTACT RESISTANCE: 80mΩ/MAX
2-4: WELDING THRUST: ≥3KG
2-5: OPERATING TEMPERATURE: -40°C~+85°C
- DURABILITY: 1500 CYCLES
- SALT SPRAY TIME: 24H
- ELECTROPLATE: THE NICKEL-PLATED SUBSTRATE IS 50u" MIN
- REQUIREMENTS
6-1: TERMINAL TO EAT FULL TIN, NOT PEELING, WELDING OBVIOUS COLOR AND OTHER ADVERSE
6-2: ROHS, REACH, HF HALOGER ADVERSE OF DOMESTIC AND INTERNATIONAL ENVIRONMENTAL REQUIREMENTS

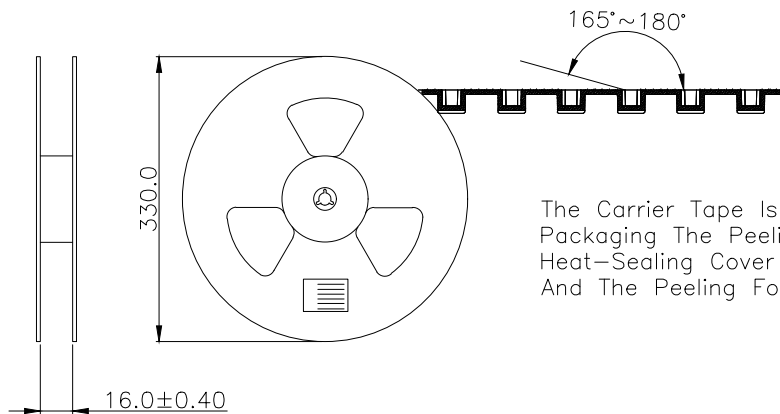
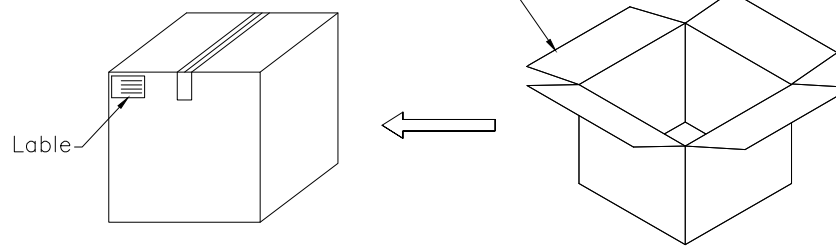


MANUFACTURE DWG		东莞市讯普电子科技有限公司 DongGuan XunPu Electronics Co., Ltd	
UNLESS OTHERWISE SPECIFIED TOLERANCES		TITLE: ANTENNA SHELL L3.85*W1.60*H4.40	
		PAR	ASP-D4302-B01
DECIMALS:	ANGLES:	DWN	Lucas
X.: ±0.30	X': ±2'	CHKD	Ethan
X.X: ±0.20	X.X': ±1'	APVD	Jacob
X.XX: ±0.15	X.XX': ±0.5'	SCALE: 1:1	UNIT: MM
CUSTOMER COPY		SIZE: A4	SHEET: 1F1
			REV: A




Carton Size
290*330*4 K3K

Carton Size
345*345*360 K=K



The Carrier Tape Is Heat-Sealed Packaging The Peeling Angle Of The Heat-Sealing Cover Tape Is $165^{\circ} \sim 180^{\circ}$ And The Peeling Force Is 30~120g.

MANUFACTURE DWG		 东莞市讯普电子科技有限公司 DongGuan XunPu Electronics Co.,Ltd	
UNLESS OTHERWISE SPECIFIED TOLERANCES		TITLE:ANTENNA SHELL L3.85*W1.60*H4.40	
		PAR	ASP-D4302-B01
DECIMALS:	ANGLES:	DWN	Lucas
X.: ± 0.30	X':: $\pm 2^{\circ}$	CHKD	Ethan
X.X: ± 0.20	X.X':: $\pm 1^{\circ}$	APVD	Jacob
X.XX: ± 0.15	X.XX':: $\pm 0.5^{\circ}$	SCALE:1:1	UNIT:MM
CUSTOMER COPY		SIZE:A4	SHEET:1F1
			REV:A