

3D View

NOTES:

1:MATERIAL

1-1: SUS-304 THICKNE=0.10MM

2:SPECIFICATIONS

2-1: RATED CURRENT: 1.0A

2-2: VOLTAGE RATING: 1.5V

2-3: CONTACT RESISTANCE: 80mΩ/MAX

2-4: WELDING THRUST: ≥3KG

2-5: OPERATING TEMPERATURE: -40°C~+85°C

3:DURABILITY: 1500 CYCLES

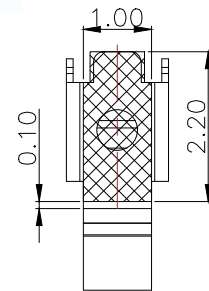
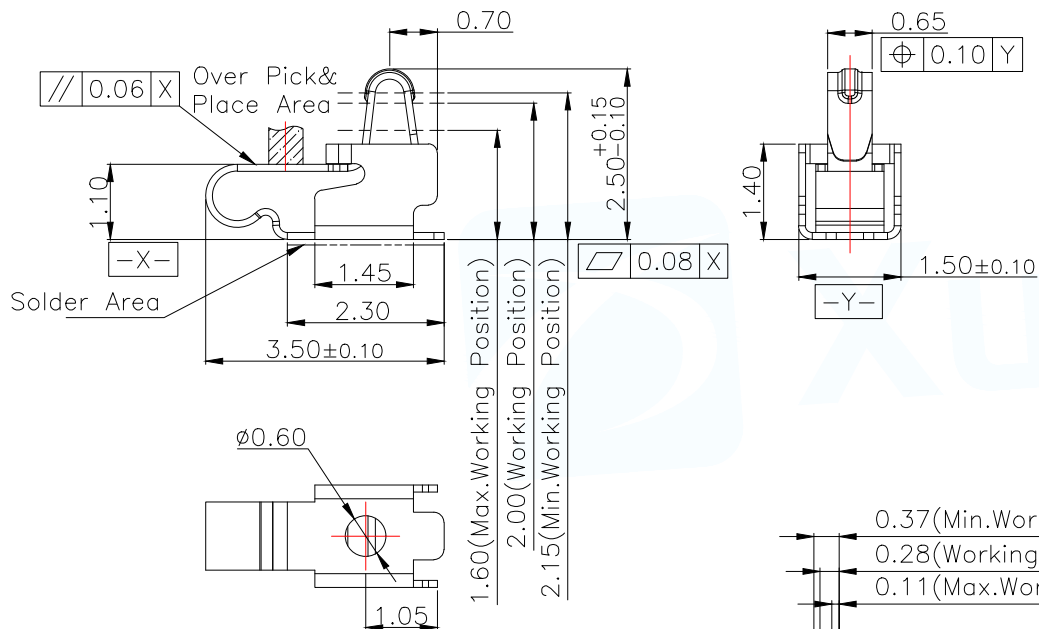
4:SALT SPRAY TIME: 24H

5:ELECTROPLATE: THE NICKEL-PLATED SUBSTRATE IS 50u" MIN

6:REQUIREMENTS

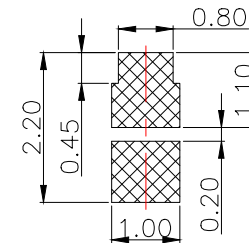
6-1:TERMINAL TO EAT FULL TIN,NOTPEELING, WELDING OBVIOUS COLOR AND OTHER ADVERSE

6-2:ROHS.REACH.HF HALOGER ADVERSE OF DOMESTIC AND INTERNATIONAL ENVIRONMNTAL REQUIREMENTS



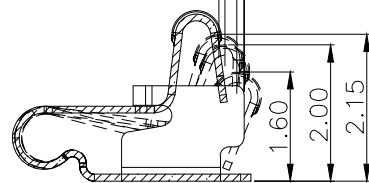
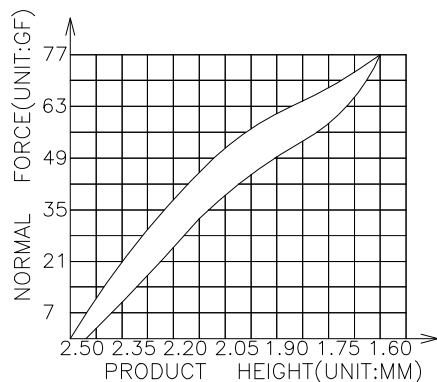
RECOMMENDED PCB LAYOUT

TOLERANCE:±0.05MM
(FOR REFERENCE ONLY)



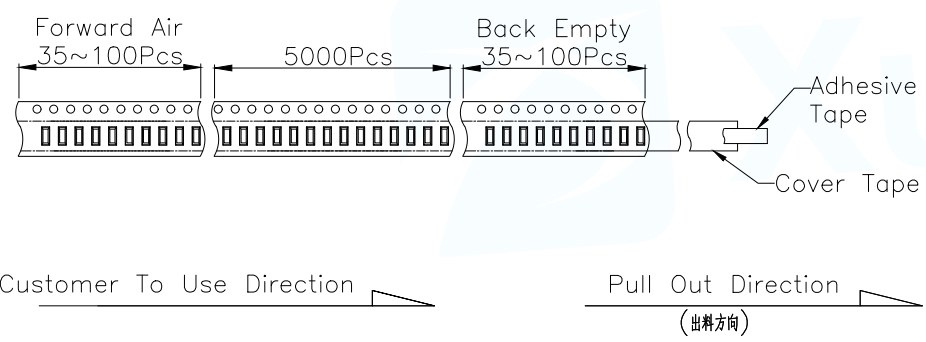
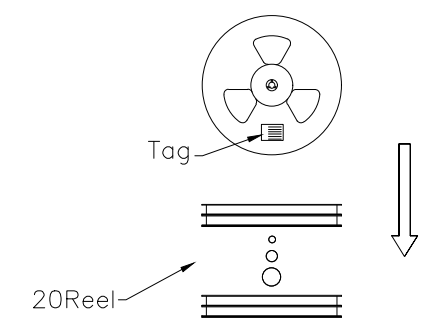
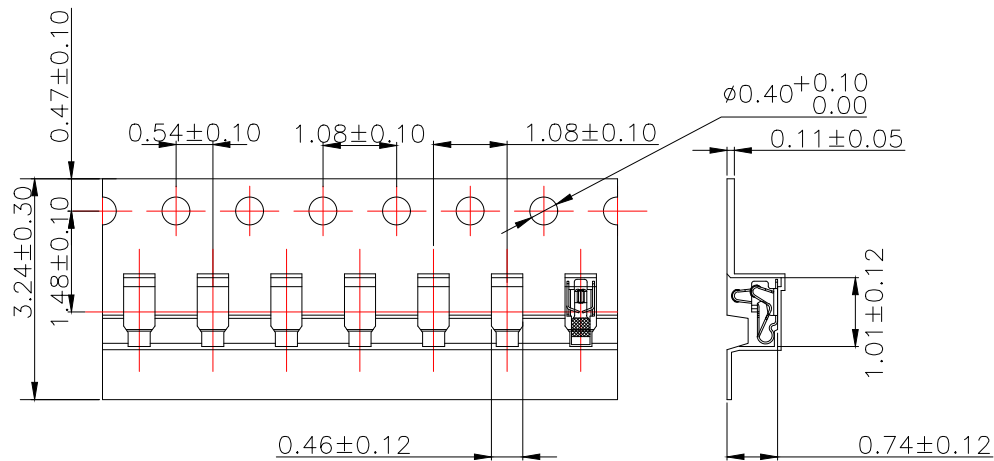
METAL MASK T=0.08

TOLERANCE:±0.05MM
(FOR REFERENCE ONLY)



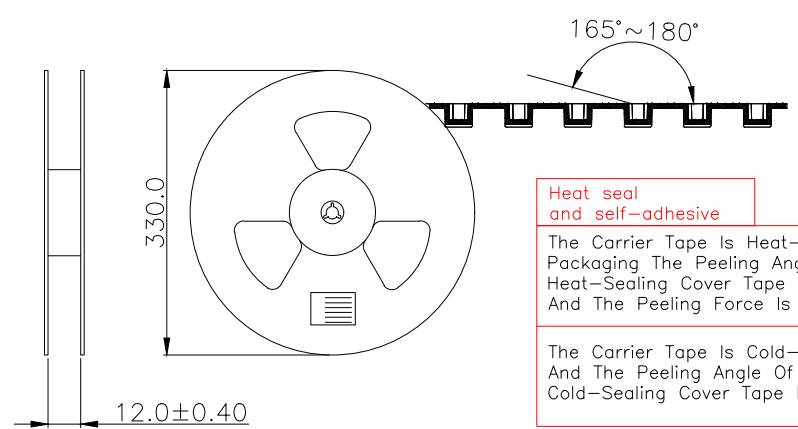
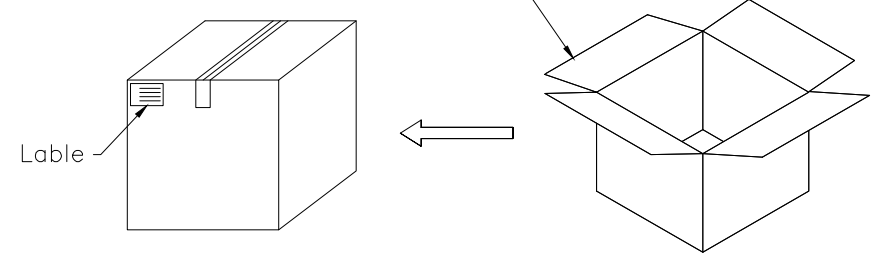
(For Reference Only)
Stated At Compression

MANUFACTURE DWG		东莞市讯普电子科技有限公司 DongGuan XunPu Electronics Co.,Ltd	
UNLESS OTHERWISE SPECIFIED TOLERANCES			TITLE: 天线弹片 L3.50*W1.50*H2.50
			PAR ASP-D2503-B01
DECIMALS:	ANGLES:		DWN Lucas
X.:±0.30	X':±2'		CHKD Ethan
X.X:±0.20	X.X':±1'	APVD Jacob	SCALE:1:1 UNIT:MM
X.XX:±0.15	X.XX':±0.5'	CUSTOMER COPY	SIZE:A4 SHEET:1F1 REV:A



Carton Size
290*330*4 K3K

Carton Size
345*345*360 K=K



Heat seal and self-adhesive
The Carrier Tape Is Heat-Sealed Packaging The Peeling Angle Of The Heat-Sealing Cover Tape Is 165°~180° And The Peeling Force Is 30~120g.

The Carrier Tape Is Cold-Sealed And The Peeling Angle Of The Cold-Sealing Cover Tape Is 165°~180°.

MANUFACTURE DWG		东莞市讯普电子科技有限公司 DongGuan XunPu Electronics Co.,Ltd	
UNLESS OTHERWISE SPECIFIED TOLERANCES			TITLE: 天线弹片 L3.50*W1.50*H2.50
			PAR ASP-D2503-B01
			DWN Lucas
			CHKD Ethan
DECIMALS:	ANGLES:	APVD Jacob	
X.:±0.30	X'.:±2'	SCALE 1:1 UNIT:MM	
X.X:±0.20	X.X':±1'	SIZE:A4	
X.XX:±0.15	X.XX':±0.5'	SHEET:1F1	
CUSTOMER COPY		REV:A	