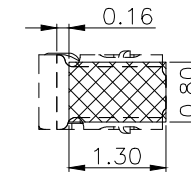
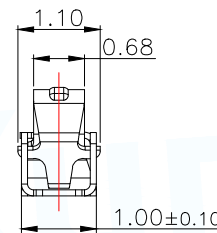
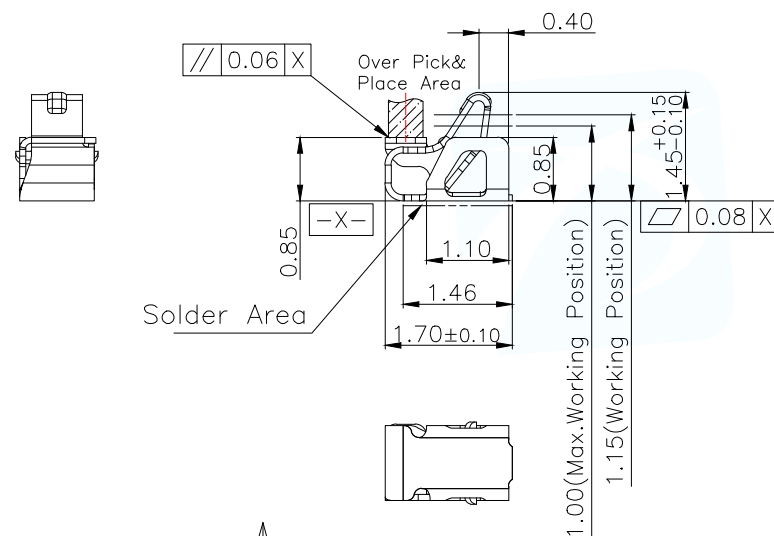


(For Reference Only)
Stated At Compression

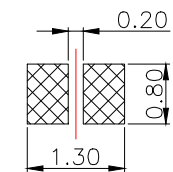
NOTES:

- 1: MATERIAL
 - 1-1: SUS-301 THICKNE=0.08MM
- 2: SPECIFICATIONS
 - 2-1: RATED CURRENT: 1.0A
 - 2-2: VOLTAGE RATING: 1.5V
 - 2-3: CONTACT RESISTANCE: 80mΩ/MAX
 - 2-4: WELDING THRUST: ≥3KG
 - 2-5: OPERATING TEMPERATURE: -40°C~+85°C
- 3: DURABILITY: 1500 CYCLES
- 4: SALT SPRAY TIME: 24H
- 5: ELECTROPLATE: THE NICKEL-PLATED SUBSTRATE IS 50u" MIN
- 6: REQUIREMENTS
 - 6-1: TERMINAL TO EAT FULL TIN, NOT PEELING, WELDING OBVIOUS COLOR AND OTHER ADVERSE
 - 6-2: ROHS.REACH.HF HALOGER ADVERSE OF DOMESTIC AND INTERNATIONAL ENVIRONMENTAL REQUIREMENTS



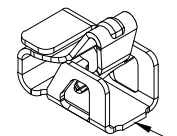
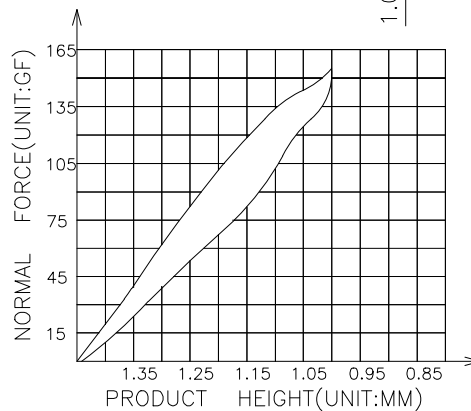
RECOMMENDED PCB LAYOUT

TOLERANCE: ±0.05MM
(FOR REFERENCE ONLY)



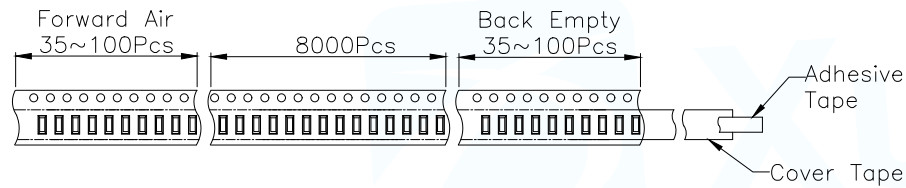
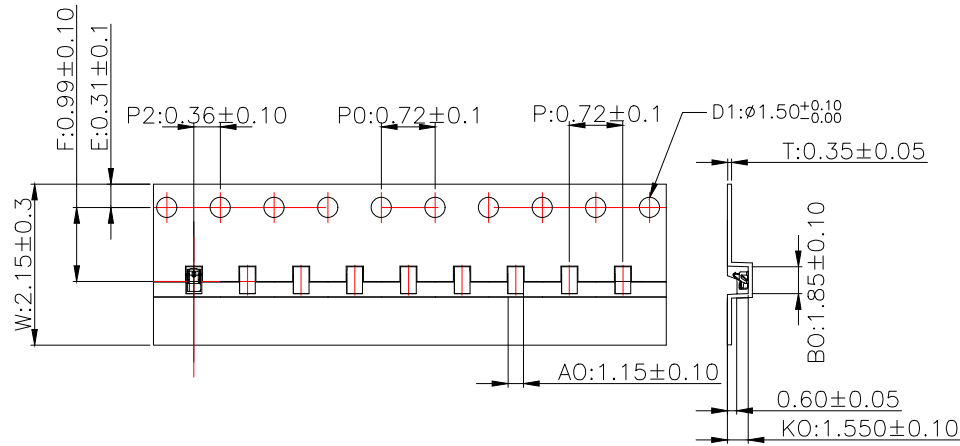
METAL MASK T=0.08

TOLERANCE: ±0.05MM
(FOR REFERENCE ONLY)



3D View

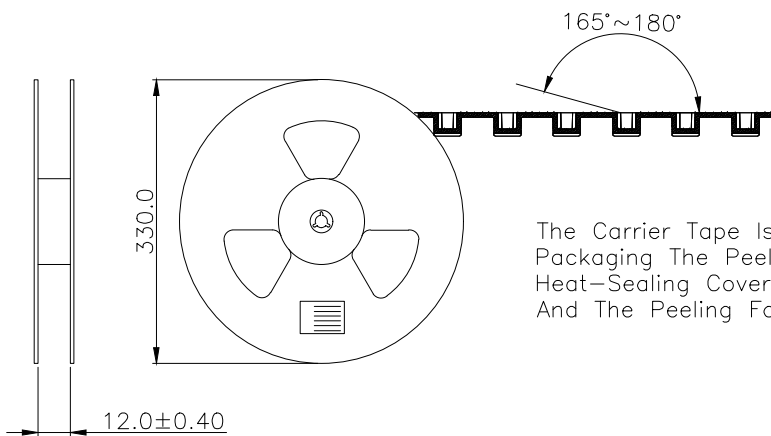
MANUFACTURE DWG		东莞市讯普电子科技有限公司 DongGuan XunPu Electronics Co.,Ltd	
UNLESS OTHERWISE SPECIFIED TOLERANCES			TITLE: 无线弹片 L1.70*W1.00*H1.45
			PAR ASP-D1403-B01
DECIMALS:	ANGLES:		DWN Lucas
X.:±0.30	X':±2°		CHKD Ethan
X.X:±0.20	X.X':±1°		APVD Jacob
X.XX:±0.15	X.XX':±0.5°	CUSTOMER COPY	SCALE 1:1 UNIT:MM
		SIZE:A4	SHEET:1F1
			REV:A



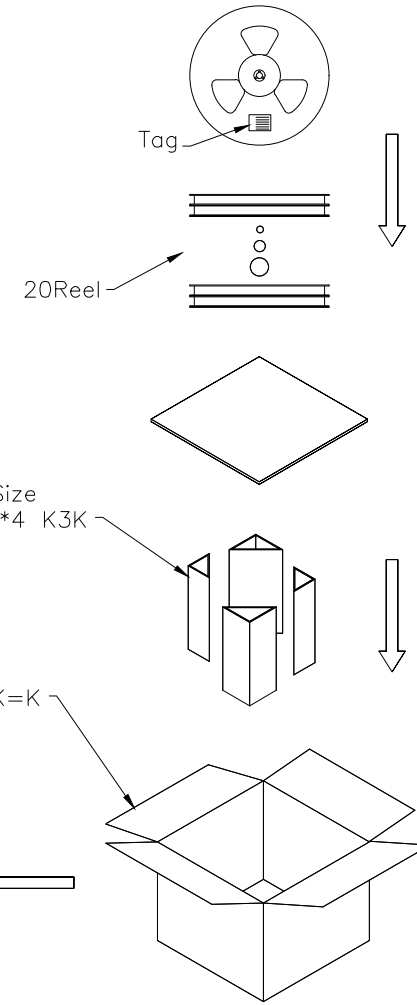
Customer To Use Direction

Pull Out Direction

(出料方向)



The Carrier Tape Is Heat-Sealed Packaging The Peeling Angle Of The Heat-Sealing Cover Tape Is 165°~180° And The Peeling Force Is 30~120g.



Carton Size 290*330*4 K3K

Carton Size 345*345*360 K=K

Lable

MANUFACTURE DWG		东莞市讯普电子科技有限公司 DongGuan XunPu Electronics Co.,Ltd	
UNLESS OTHERWISE SPECIFIED TOLERANCES			TITLE: 无线弹片 L1.70*W1.00*H1.45
			PAR ASP-D1403-B01
			DWN Lucas
			CHKD Ethan
DECIMALS:	ANGLES:	APVD Jacob	
X.:±0.30	X.':±2°	SCALE 1:1 UNIT:MM	
X.X:±0.20	X.X':±1°	SIZE:A4 SHEET:1F1	
X.XX:±0.15	X.XX':±0.5°	REV:A	