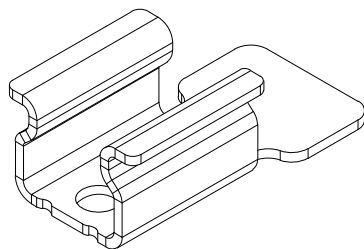
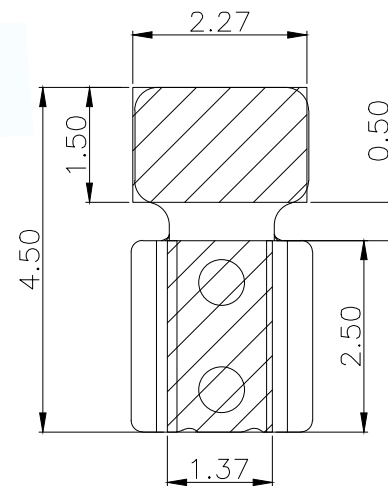
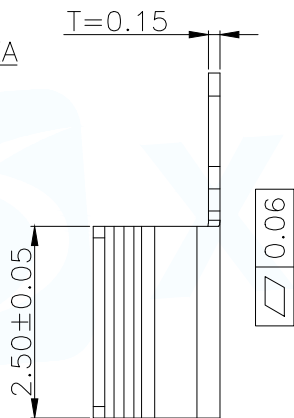
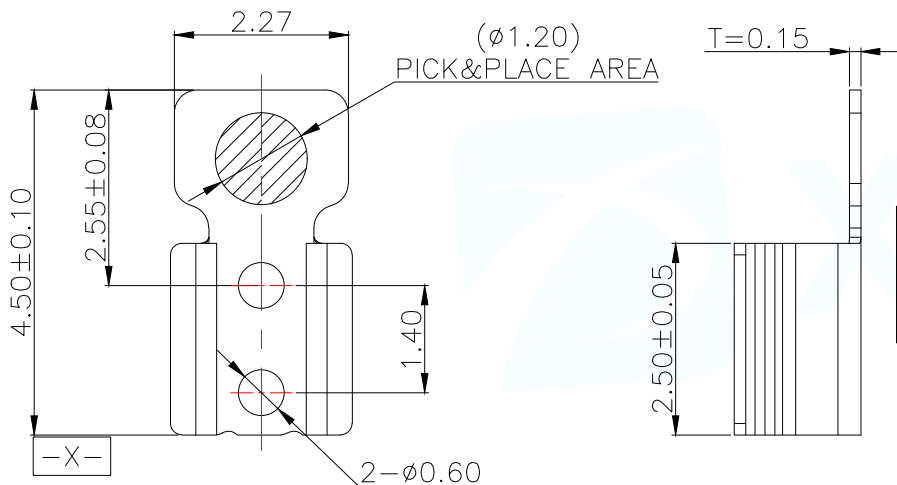
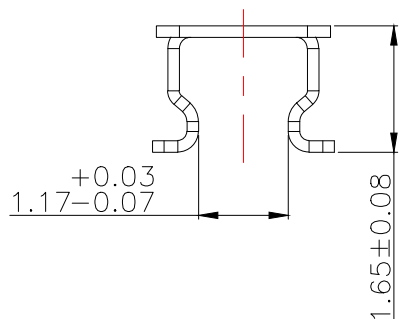


NOTES

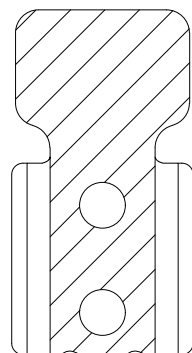
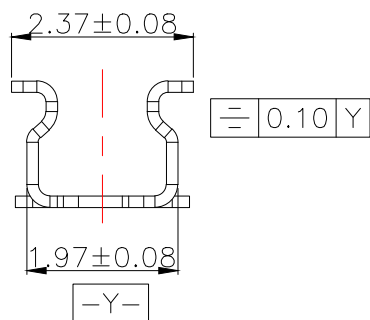
- (1) MATERIAL: SUS-301 THICKNE=0.15mm
- (2) PRODUCT SPECIFICATIONS:
 - 2-1: RATED CURRENT: 1.0A
 - 2-2: VOLTAGE RATING: 1.50V
 - 2-3: CONTACT RESISTANCE: 80mΩ/MAX
 - 2-4: WELDING THRUST: ≥ 3KG
 - 2-5: OPERATING TEMPERATURE: -40°C~+85°C
 - 2-6: DURABILITY: 1500 CYCLES
- (3) SALT SPRAY: 24 HOURS
- (4) FINISH: 50u"Min NICKEL UNDERPLATING OVER ALL.
- (5) REQUIREMENTS
 - 5-1: TERMINAL TO EAT FULL TIN, NOT PEELING WELDING OBVIOUS COLOR AND OTHER ADVERSE
 - 5-2: ROHS, REACH, HF HALOGEN ADVERSE OF DOMESTIC AND INTERNATIONAL ENVIRONMENTAL REQUIREMENTS



3D View



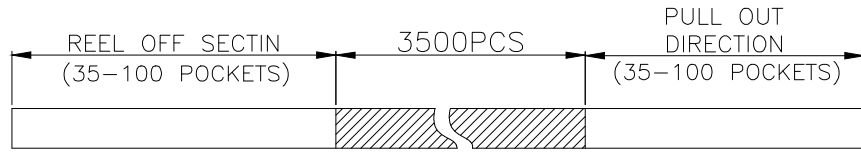
RECOMMENDED PCB LAYOUT
GENERAL TOLERANCE ±0.05



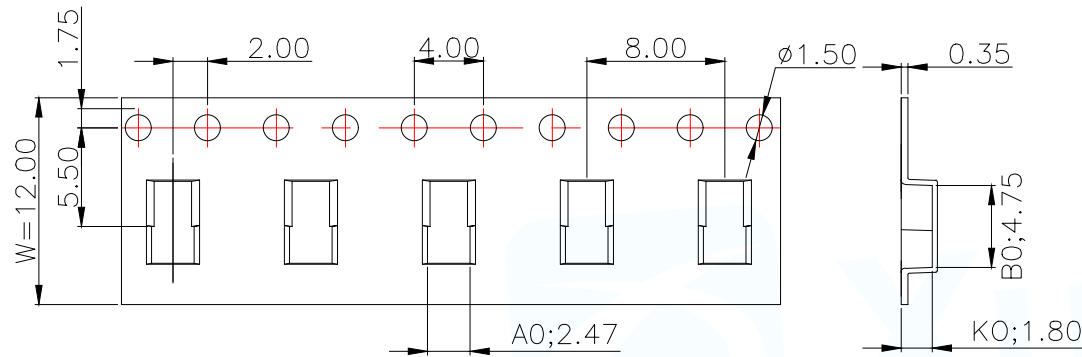
SOLDER AREA

MANUFACTURE DWG		东莞市讯普电子科技有限公司 DongGuan XunPu Electronics Co., Ltd	
UNLESS OTHERWISE SPECIFIED TOLERANCES			TITLE: H1.65 WIRE CLAMP, SMT T=0.15mm
DECIMALS:	ANGLES:		PAR ASP-X1601-CB1
X.: ±0.30	X': ±2°		DWN Lucas
X.X: ±0.20	X.X': ±1°		CHKD Ethan
X.XX: ±0.15	X.XX': ±0.5°	CUSTOMER COPY	APVD Jacob
		SCALE 1:1	UNIT: MM
		SIZE: A4	UNIT: MM
		SHEET: 1F1	REV: A

12	13	14	15
MAPX	MODIFICATION	DATE	DRAW

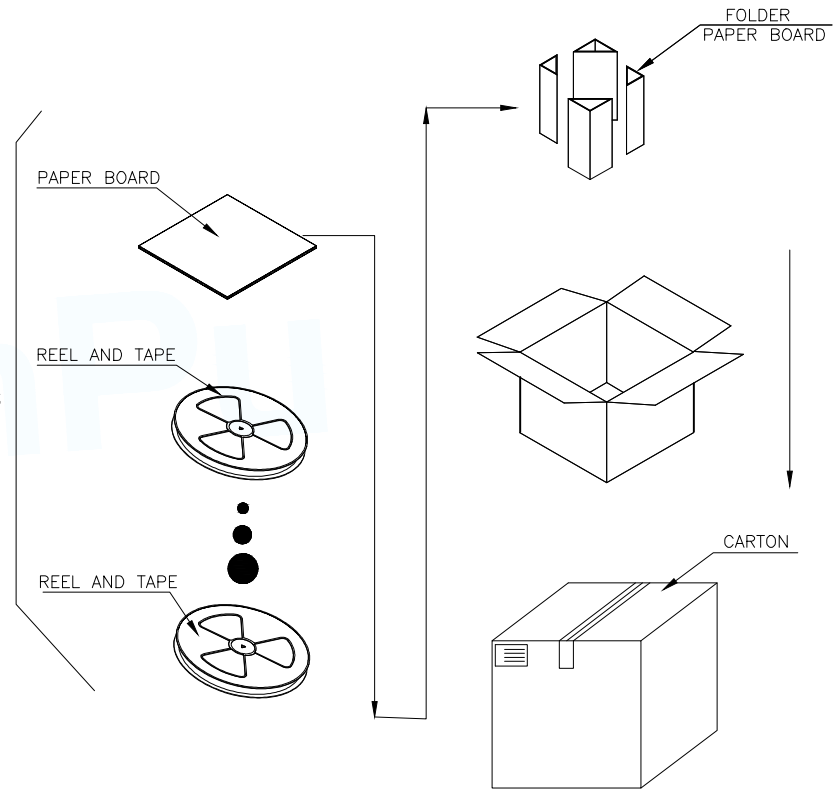
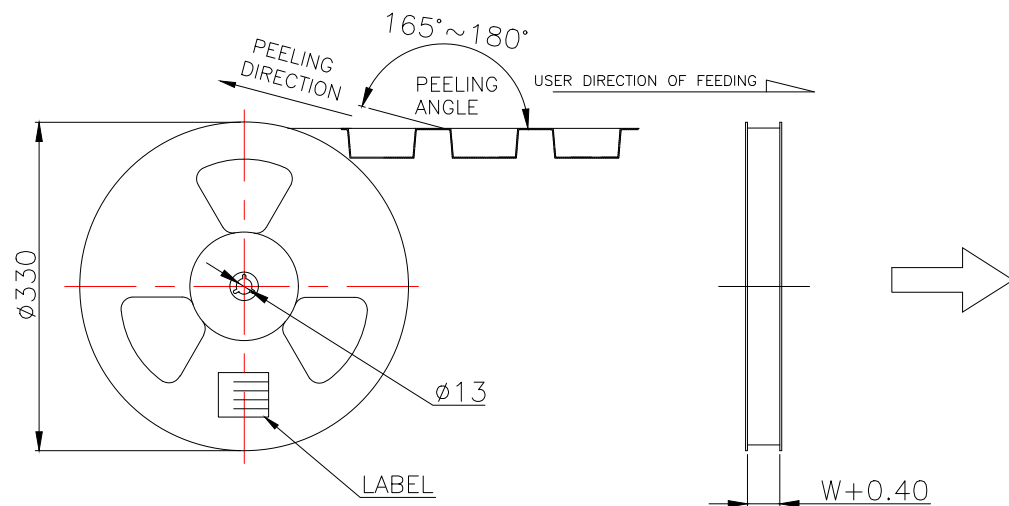


CONN. QTY./REEL	REEL QTY./CARTON	CONN. QTY./CARTON
3500	20	70,000



TOTAL 20LAYERS

← PRODUCT PACKAGING DIRECTION
CUSTOMER TO USE DIRECTION →



MANUFACTURE DWG			东莞市讯普电子科技有限公司 DongGuan XunPu Electronics Co.,Ltd	
UNLESS OTHERWISE SPECIFIED TOLERANCES			TITLE:H1.65 WIRE CLAMP,SMT T=0.15mm	
DECIMALS:	ANGLES:	PAR	ASP-X1601-CB1	
X.:±0.30	X':±2°	DWN	Lucas	
X.X:±0.20	X.X':±1°	CHKD	Ethan	
X.XX:±0.15	X.XX':±0.5°	APVD	Jacob	
		SCALE:1:1	UNIT:MM	
		SIZE:A4	SHEET:1F1	