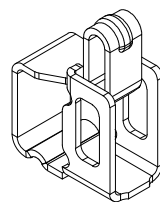
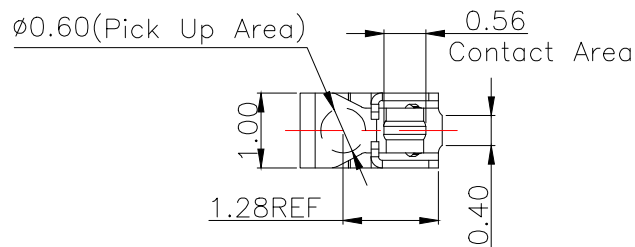


12	13	14	15
MAPX	MODIFICATION	DATE	DRAW APPROVE



3D View

NOTES:

1:MATERIAL

1-1: SUS-301 THICKNE=0.10MM

2:SPECIFICATIONS

2-1: RATED CURRENT: 1.0A

2-2: VOLTAGE RATING: 1.5V

2-3: CONTACT RESISTANCE: 80mΩ/MAX

2-4: WELDING THRUST: ≥3KG

2-5: OPERATING TEMPERATURE: -40°C~+85°C

3:DURABILITY: 1500 CYCLES

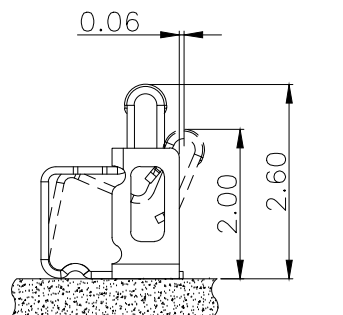
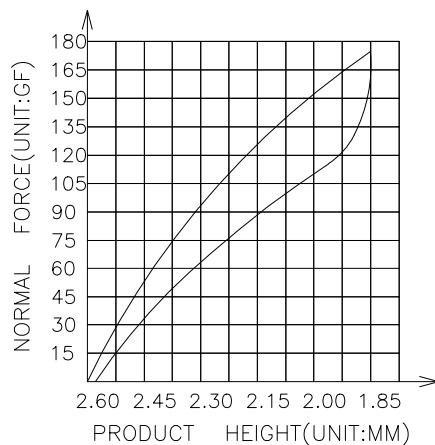
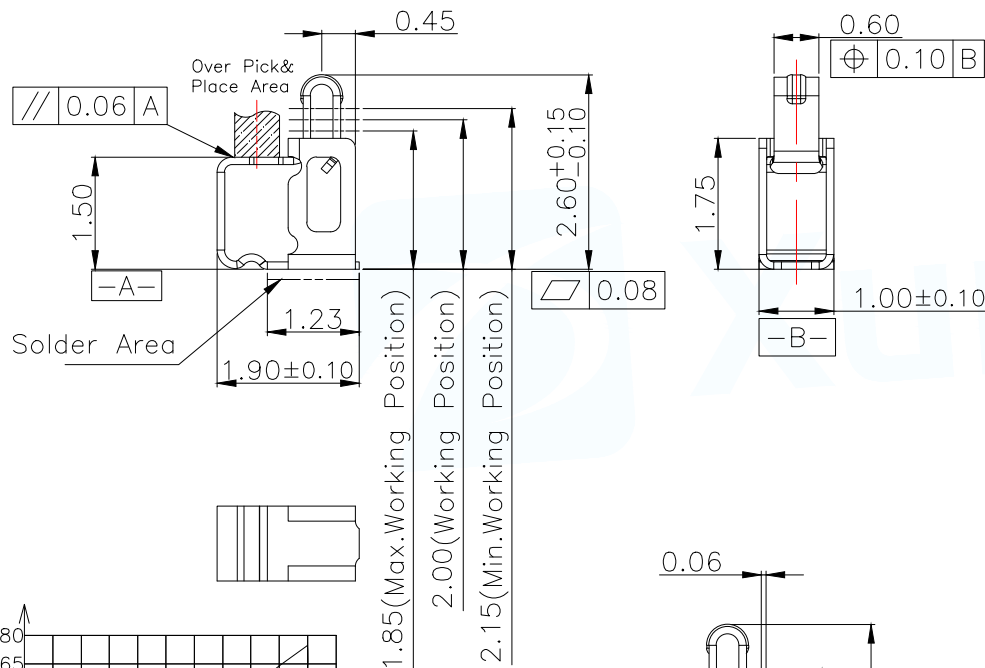
4:SALT SPRAY TIME: 24H

5:ELECTROPLATE: THE NICKEL-PLATED SUBSTRATE IS 50u" MIN

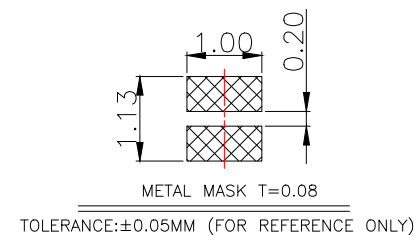
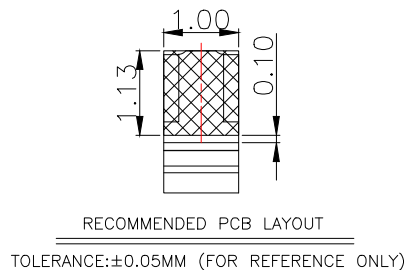
6:REQUIREMENTS

6-1:TERMINAL TO EAT FULL TIN,NOTPEELING, WELDING OBVIOUS COLOR AND OTHER ADVERSE

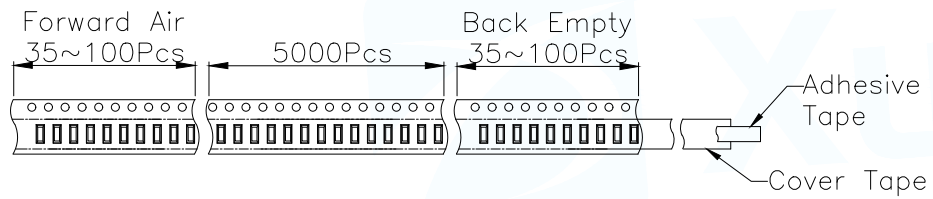
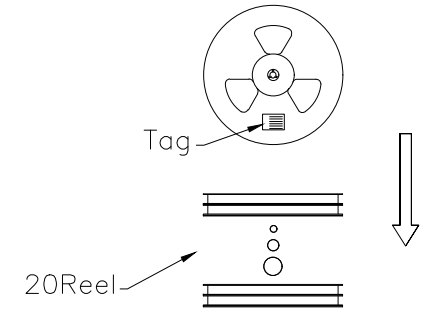
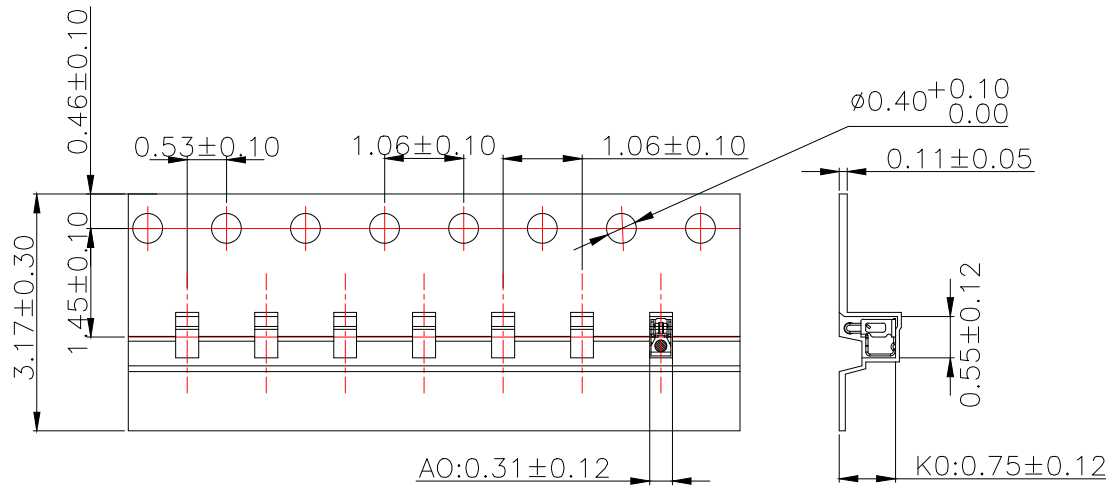
6-2:ROHS.REACH.HF HALOGER ADVERSE OF DOMESTIC AND INTERNATIONAL ENVIRONMNTAL REQUIREMENTS



(For Reference Only)
Stated At Compression

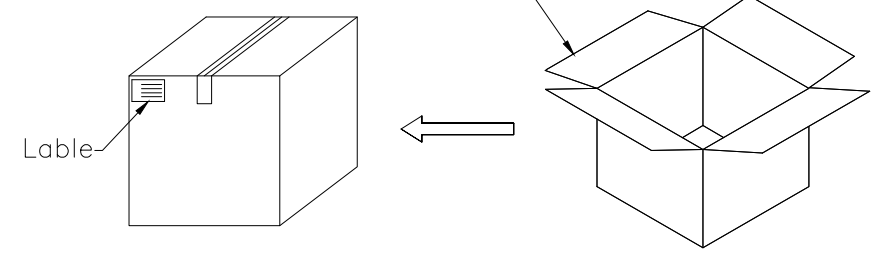


MANUFACTURE DWG		东莞市讯普电子科技有限公司 DongGuan XunPu Electronics Co.,Ltd	
UNLESS OTHERWISE SPECIFIED TOLERANCES			TITLE: 天线弹片 L1.90*W1.00*H2.60
			PAR ASP-D2601-B31
DECIMALS:	ANGLES:		DWN Lucas
X.:±0.30	X':±2°		CHKD Ethan
X.X:±0.20	X.X':±1°	APVD Jacob	SCALE1:1 UNIT:MM
X.XX:±0.15	X.XX':±0.5°	CUSTOMER COPY	SIZE:A4 SHEET:1F1 REV:A

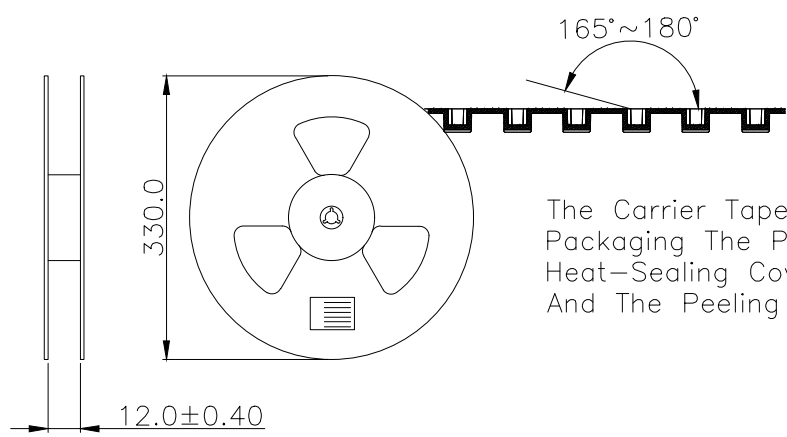


Carton Size
290*330*4 K3K

Carton Size
345*345*360 K=K



Customer To Use Direction → Pull Out Direction (出料方向) →



The Carrier Tape Is Heat-Sealed Packaging The Peeling Angle Of The Heat-Sealing Cover Tape Is 165°~180° And The Peeling Force Is 30~120g.

MANUFACTURE DWG		东莞市讯普电子科技有限公司 DongGuan XunPu Electronics Co.,Ltd	
UNLESS OTHERWISE SPECIFIED TOLERANCES			TITLE: 天线弹片 L1.90*W1.00*H2.60
			PAR ASP-D2601-B31
DECIMALS:	ANGLES:		DWN Lucas
X.:±0.30 X.:±2°	X.X:±0.20 X.X':±1°		CHKD Ethan
X.XX:±0.15 X.XX':±0.5°		APVD Jacob	SCALE:1:1 UNIT:MM
		CUSTOMER COPY	SIZE:A4 SHEET:1F1 REV:A