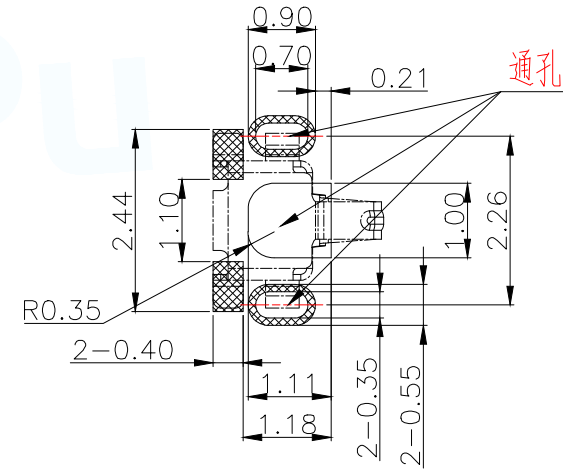
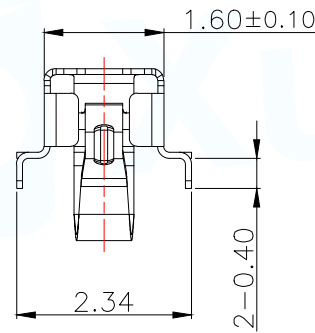
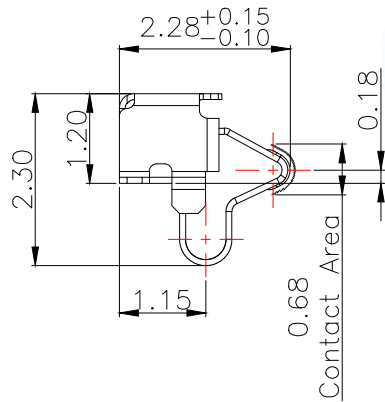
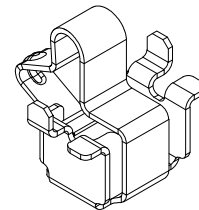
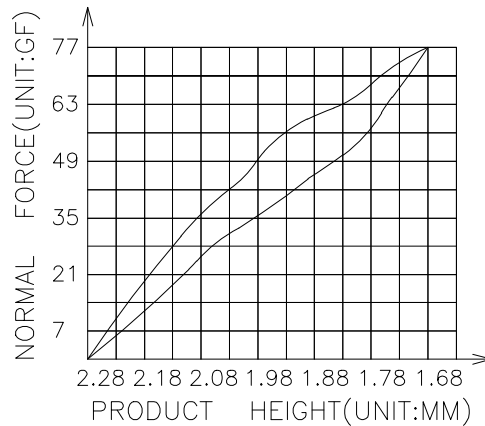


NOTES:
 1:MATERIAL
 1-1: C5210 THICKNE=0.08MM
 2:SPECIFICATIONS
 2-1: RATED CURRENT: 1.0A
 2-2: VOLTAGE RATING: 1.5V
 2-3: CONTACT RESISTANCE: 80mΩ/MAX
 2-4: WELDING THRUST: ≥3KG
 2-5: OPERATING TEMPERATURE: -40°C~+85°C
 3:DURABILITY: 1500 CYCLES
 4:SALT SPRAY TIME: 24H
 5:ELECTROPLATE: THE NICKEL-PLATED SUBSTRATE IS 50u" MIN
 6:REQUIREMENTS
 6-1:TERMINAL TO EAT FULL TIN,NOTPEELING, WELDING OBVIOUS COLOR AND OTHER ADVERSE
 6-2:ROHS.REACH.HF HALOGER ADVERSE OF DOMESTIC AND INTERNATIONAL ENVIRNMNTAL REQUIREMENTS

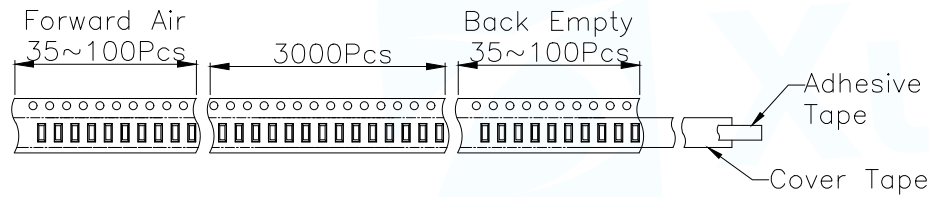
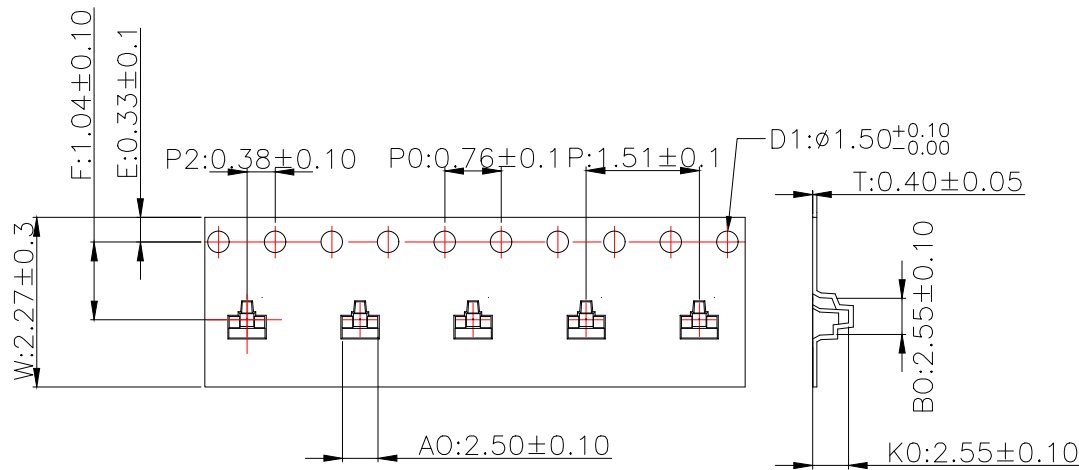


RECOMMENDED PCB LAYOUT
 TOLERANCE:±0.05MM (FOR REFERENCE ONLY)



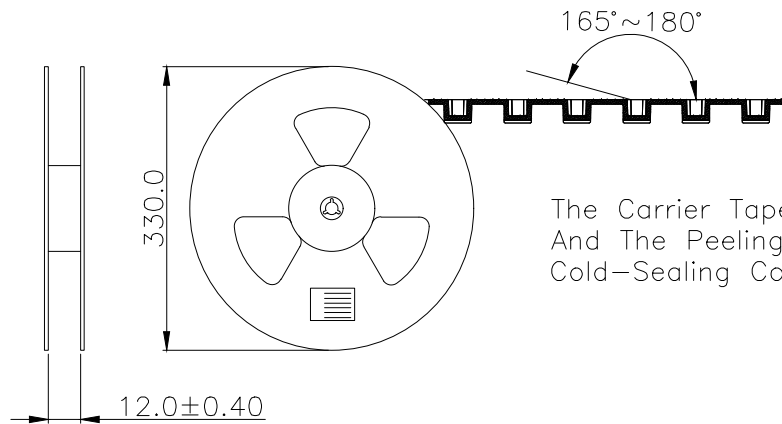
3D View

MANUFACTURE DWG		东莞市讯普电子科技有限公司 DongGuan XunPu Electronics Co.,Ltd	
UNLESS OTHERWISE SPECIFIED TOLERANCES			TITLE: 侧接弹片 H2.30mm
DECIMALS:	ANGLES:		PAR ASP-D2302-B01
X.:±0.30	X':±2'		DWN Lucas
X.X:±0.20	X.X':±1'		CHKD Ethan
X.XX:±0.15	X.XX':±0.5'	CUSTOMER COPY	APVD Jacob
		SCALE:1:1	UNIT:MM
		SIZE:A4	UNIT:MM
		SHEET:1F1	REV:A

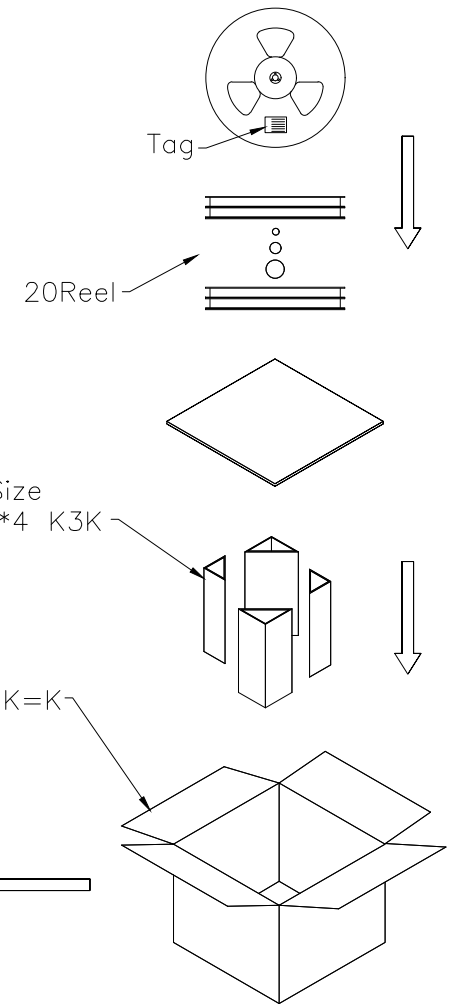


Customer To Use Direction

Pull Out Direction
(出料方向)



The Carrier Tape Is Cold-Sealed
And The Peeling Angle Of The
Cold-Sealing Cover Tape Is 165°~180°.



MANUFACTURE DWG			东莞市讯普电子科技有限公司 DongGuan XunPu Electronics Co.,Ltd		
UNLESS OTHERWISE SPECIFIED TOLERANCES			TITLE: 侧接弹片 H2.30mm		
DECIMALS:	ANGLES:	PAR	ASP-D2302-B01		
X.:±0.30	X':±2'	DWN	Lucas		
X.X:±0.20	X.X':±1'	CHKD	Ethan		
X.XX:±0.15	X.XX':±0.5'	APVD	Jacob		
		SCALE:1:1	UNIT:MM		
		SIZE:A4	SHEET:1F1		
		CUSTOMER COPY		REV:A	