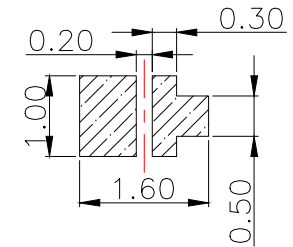
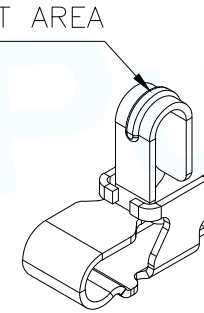
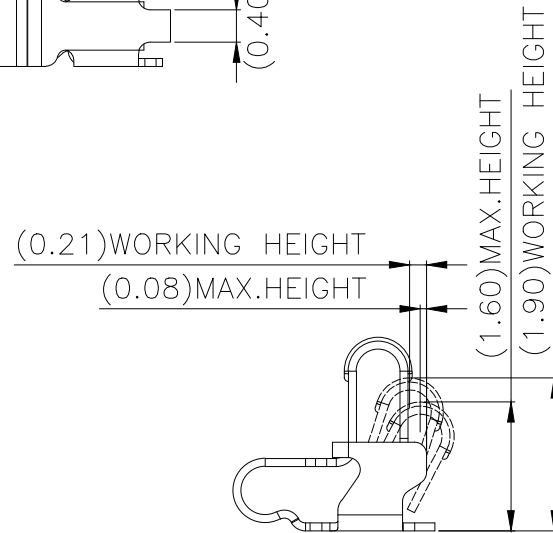
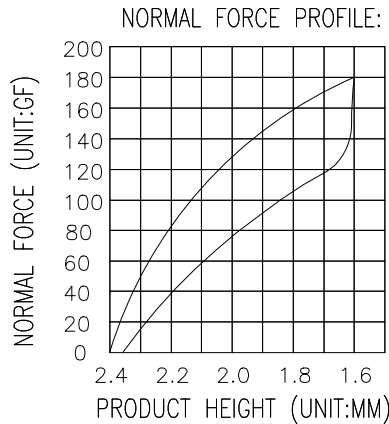


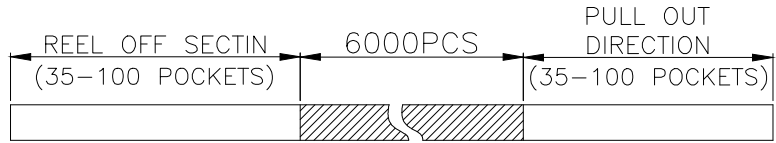
- NOTES
- (1) MATERIAL: SUS-304 THICKNE=0.10mm
 - (2) PRODUCT SPECIFICATIONS:
 - 2-1: RATED CURRENT: 1.0A
 - 2-2: VOLTAGE RATING: 1.50V
 - 2-3: CONTACT RESISTANCE: 80mΩ/MAX
 - 2-4: WELDING THRUST: ≥3KG
 - 2-5: OPERATING TEMPERATURE: -40°C~+85°C
 - 2-6: DURABILITY: 1500 CYCLES
 - (3): SALT SPRAY: 24 HOURS
 - (4): FINISH: 50u"Min NICKEL UNDERPLATING OVER ALL.
 - (5): REQUIREMENTS
 - 5-1: TERMINAL TO EAT FULL TIN, NOT PEELING WELDING OBVIOUS COLOR AND OTHER ADVERSE
 - 5-2: ROHS, REACH, HF HALOGER ADVERSE OF DOMESTIC AND INTERNATIONAL ENVIRONMENTAL REQUIREMENTS



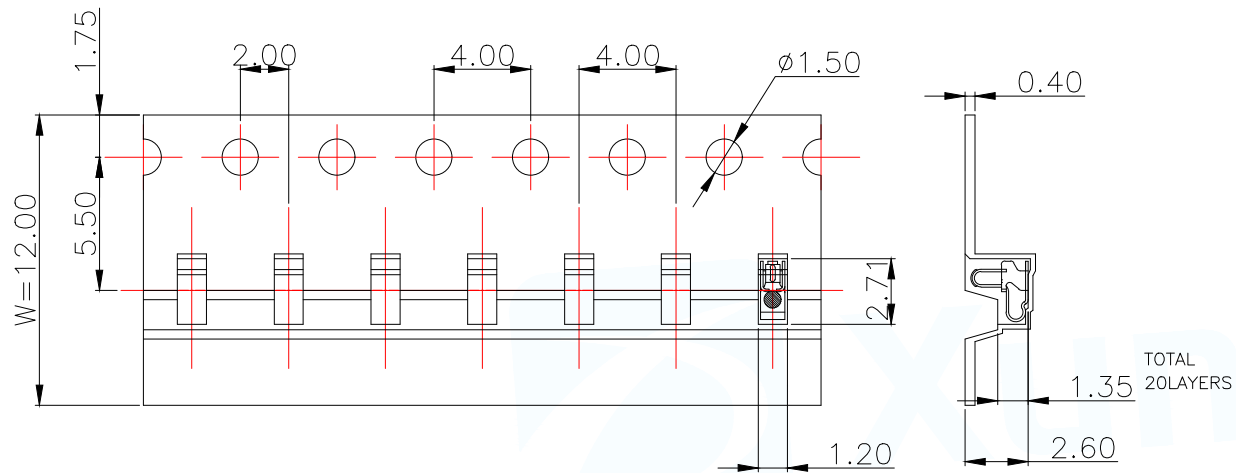
RECOMMENDED PCB LAYOUT
GENERAL TOLERANCE ±0.05



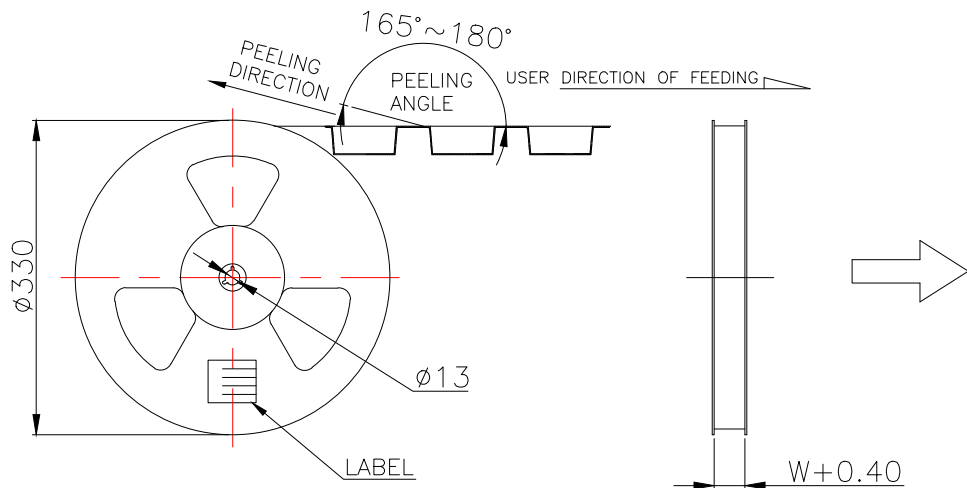
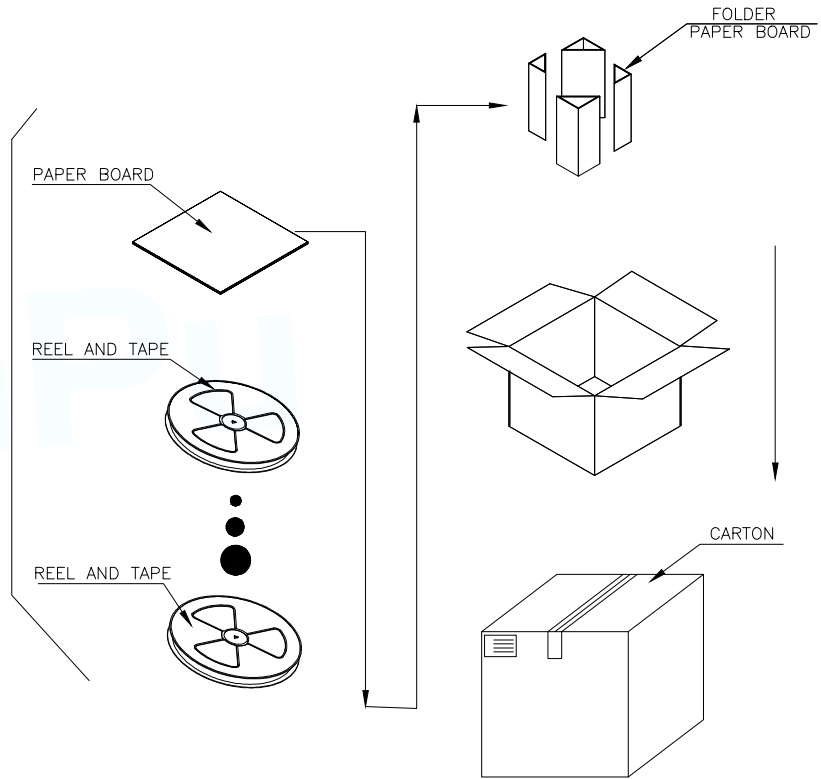
MANUFACTURE DWG		东莞市讯普电子科技有限公司 DongGuan XunPu Electronics Co., Ltd	TITLE: H2.40 ANTENNA SPRING TERMINAL, T=0.10MM	
UNLESS OTHERWISE SPECIFIED TOLERANCES			PAR	ASP-D2402-A01
DECIMALS:	ANGLES:	DWN	Lucas	
X.: ±0.30	X': ±2°	CHKD	Ethan	
X.X: ±0.20	X.X': ±1°	APVD	Jacob	
X.XX: ±0.15	X.XX': ±0.5°	SCALE: 1:1	UNIT: MM	
CUSTOMER COPY		SIZE: A4	SHEET: 1F1	
			REV: A	



CONN. QTY./REEL	REEL QTY./CARTON	CONN. QTY./CARTON
6000	20	120,000



← PRODUCT PACKAGING DIRECTION
 CUSTOMER TO USE DIRECTION →



MANUFACTURE DWG			东莞市讯普电子科技有限公司 DongGuan XunPu Electronics Co.,Ltd		
UNLESS OTHERWISE SPECIFIED TOLERANCES			TITLE:H2.40 ANTENNA SPRING TERMINAL,T=0.10MM		
DECIMALS:	ANGLES:	PAR	ASP-D2402-A01		
X.:±0.30	X':±2°	DWN	Lucas		
X.X:±0.20	X.X':±1°	CHKD	Ethan		
X.XX:±0.15	X.XX':±0.5°	APVD	Jacob		
		SCALE:1:1	UNIT:MM		
		SIZE:A4	SHEET:1F1	REV:A	