



灵星芯微 集成电路

深圳市灵星芯微电子科技有限公司

Shenzhen Lingxing Microelectronics Technology Co., Ltd.

Tab: 835-12-B4

Number: CD4538-AX-LJ-D022EN

# CD4538 (LX)

## Dual Precision Monostable Multivibrator

### Product Specification

#### Specification Revision History:

Version	Date	Description
2022-06-A1	2022-06	New
2023-04-B1	2023-04	Update the template



# Contents

<b>1、 General Description.....</b>	<b>3</b>
<b>2、 Block Diagram And Pin Description .....</b>	<b>5</b>
2.1、 Block Diagram .....	5
2.2、 Pin Configurations.....	6
2.3、 Pin Description .....	6
2.4、 Function Table.....	7
2.4.1、 Timing Diagram.....	7
2.4.2、 Connection Of The External Timing Components REXT And CEXT .....	8
<b>3、 Electrical Parameter .....</b>	<b>8</b>
3.1、 Absolute Maximum Ratings.....	8
3.2、 Recommended Operating Conditions .....	8
3.3、 Electrical Characteristics .....	9
3.3.1、 DC Characteristics 1 .....	9
3.3.2、 DC Characteristics 2 .....	9
3.3.3、 AC Characteristics .....	10
<b>4、 Testing Circuit .....</b>	<b>11</b>
4.1、 AC Testing Circuit .....	11
4.2、 AC Testing Waveforms.....	11
4.3、 Measurement Points .....	13
4.4、 Test Data .....	13
<b>5、 Package Information .....</b>	<b>14</b>
5.1、 DIP16 .....	14
5.2、 SOP16 .....	15
5.3、 TSSOP16.....	16
<b>6、 Statements And Notes .....</b>	<b>17</b>
6.1、 The name and content of Hazardous substances or Elements in the product.....	17
6.2、 Notes .....	17



## 1、General Description

The CD4538 is a dual retriggerable-resettable monostable multivibrator. Each multivibrator has an active LOW trigger/retrigger input ( $\overline{nA}$ ), an active HIGH trigger/retrigger input ( $nB$ ), an overriding active LOW direct reset input ( $\overline{nCD}$ ), an output ( $nQ$ ) and its complement ( $\overline{nQ}$ ), and two pins ( $nREXT/CEXT$ , and  $nCEXT$ , always connected to ground) for connecting the external timing components  $C_{EXT}$  and  $R_{EXT}$ . Typical pulse width variation over the specified temperature range is  $\pm 0.2\%$ .

The multivibrator may be triggered by either the positive or the negative edges of the input pulse and will produce an accurate output pulse with a pulse width range of 10 $\mu$ s to infinity. The duration and accuracy of the output pulse are determined by the external timing components  $C_{EXT}$  and  $R_{EXT}$ . The output pulse width ( $t_W$ ) is equal to  $R_{EXT} \times C_{EXT}$ . The linear design techniques in LOC MOS (Local Oxide CMOS) guarantee precise control of the output pulse width. A LOW level at  $\overline{nCD}$  terminates the output pulse immediately.

It operates over a recommended  $V_{DD}$  power supply range of 3V to 12V referenced to  $V_{SS}$  (usually ground). Unused inputs must be connected to  $V_{DD}$ ,  $V_{SS}$ , or another input.

### Features:

- Wide supply voltage range from 3V to 12V
- Tolerant of slow trigger rise and fall times
- Fully static operation
- 5V and 10V parametric ratings
- Standardized symmetrical output characteristics
- Specified from  $-40^\circ\text{C}$  to  $+125^\circ\text{C}$
- Packaging information: DIP16/SOP16/TSSOP16



**Ordering Information:**

**Tube packing specifications:**

Part number	Packaging form	Marking code	Tube quantity	Boxed tube quantity	Boxed quantity	Notes
CD4538BE(LX)	DIP16	CD4538BE	25 PCS/tube	40 tube/box	1000 PCS/box	Dimensions of plastic enclosure: 19.0mm×6.4mm Pin spacing: 2.54mm
CD4538BM(LX)	SOP16	CD4538BM	50 PCS/tube	200 tube/box	10000 PCS/box	Dimensions of plastic enclosure: 10.0mm×3.9mm Pin spacing: 1.27mm
CD4538PW(LX)	TSSOP16	CD4538	96 PCS/tube	200 tube/box	19200 PCS/box	Dimensions of plastic enclosure: 5.0mm×4.4mm Pin spacing: 0.65mm

**Reel packing specifications:**

Part number	Packaging form	Marking code	Reel quantity	Boxed reel quantity	Notes
CD4538BM(LX)	SOP16	CD4538BM	4000 PCS/reel	8000 PCS/box	Dimensions of plastic enclosure: 10.0mm×3.9mm Pin spacing:1.27mm
CD4538PW(LX)	TSSOP16	CD4538	5000 PCS/reel	10000 PCS/box	Dimensions of plastic enclosure: 5.0mm×4.4mm Pin spacing:0.65mm

Note: If the physical information is inconsistent with the ordering information, please refer to the actual product.



## 2、Block Diagram And Pin Description

### 2.1、Block Diagram

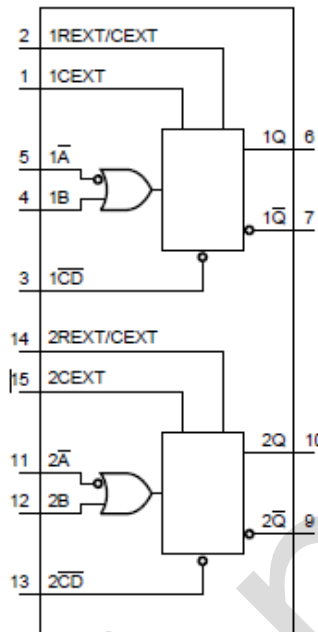


Figure 1. Functional diagram

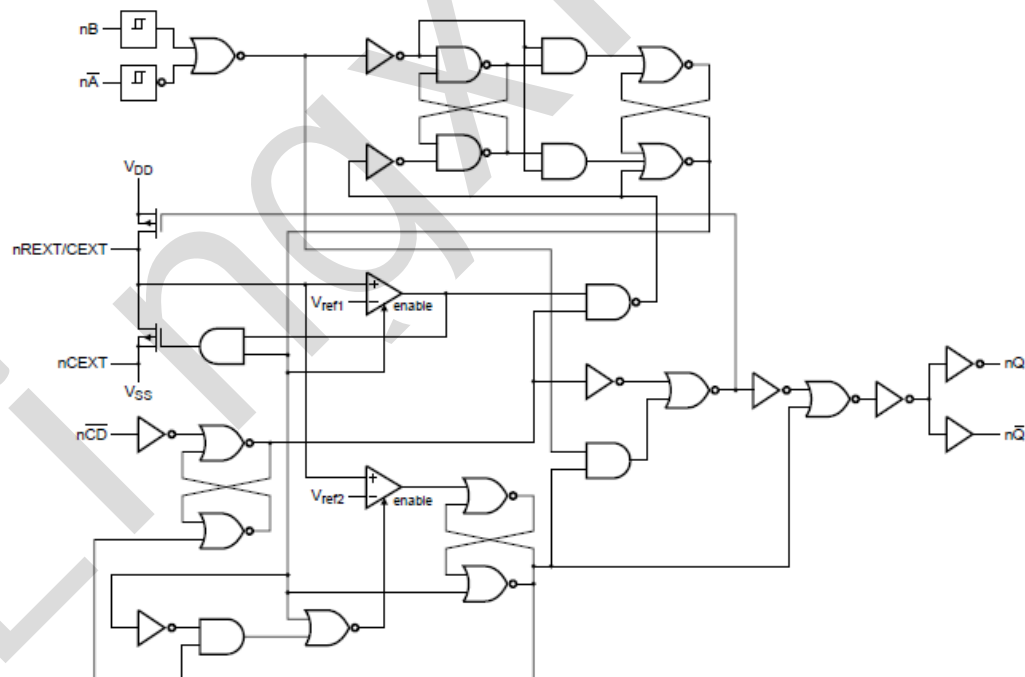
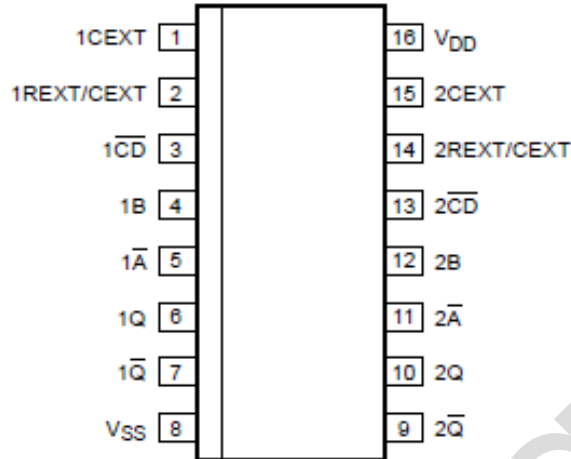


Figure 2. Logic diagram (one multivibrator)



## 2.2、Pin Configurations



## 2.3、Pin Description

Pin No.	Pin Name	Description
1	1CEXT	external capacitor connection (always connected to ground)
2	1REXT/CEXT	external capacitor/resistor connection
3	1CD	direct reset input (active LOW)
4	1B	input (LOW-to-HIGH triggered)
5	1A	input (HIGH-to-LOW triggered)
6	1Q	output
7	1Q	complementary output (active LOW)
8	V <sub>SS</sub>	ground (0V)
9	2Q	complementary output (active LOW)
10	2Q	output
11	2A	input (HIGH-to-LOW triggered)
12	2B	input (LOW-to-HIGH triggered)
13	2CD	clear direct input (active LOW)
14	2REXT/CEXT	external capacitor/resistor connection
15	2CEXT	external capacitor connection (always connected to ground)
16	V <sub>DD</sub>	supply voltage



灵星芯微 精密控制

## 2.4、Function Table

Input			Output	
$\bar{nA}$	nB	$n\bar{CD}$	nQ	$n\bar{Q}$
↓	L	H		
H	↑	H		
X	X	L	L	H

Note:

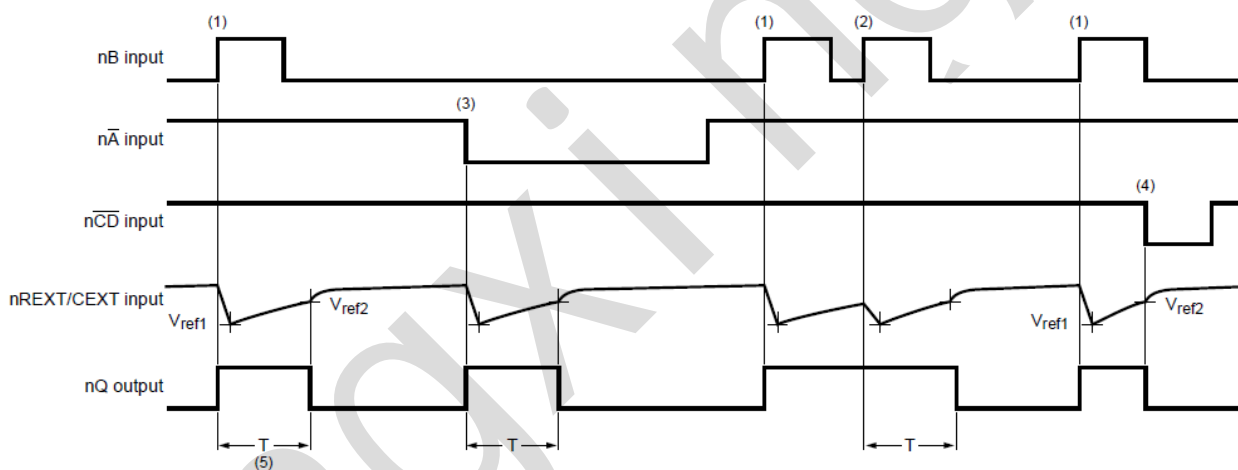
[1] H=HIGH voltage level; L=LOW voltage level; X=don't care;

[2] ↑=positive-going clock transition; ↓=negative-going transition;

[3] =one HIGH level output pulse, with the pulse width determined by  $C_{EXT}$  and  $R_{EXT}$ ;

[4] =one LOW level output pulse, with the pulse width determined by  $C_{EXT}$  and  $R_{EXT}$ .

### 2.4.1、Timing Diagram



(1) Positive edge triggering.

(2) Positive edge re-triggering (pulse lengthening).

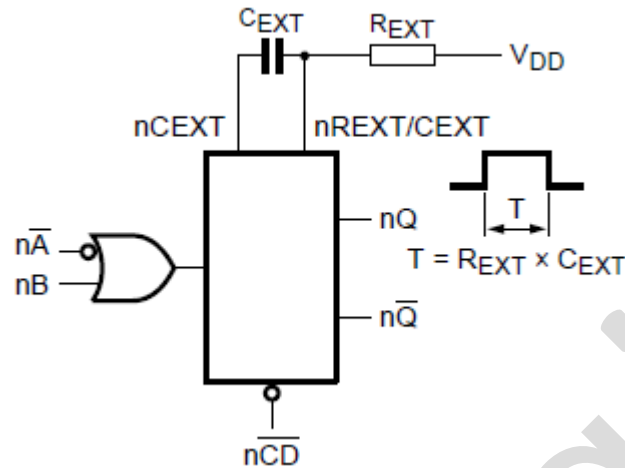
(3) Negative edge triggering.

(4) Reset (pulse shortening).

(5)  $T = R_{EXT} \times C_{EXT}$ .



### 2.4.2、 Connection Of The External Timing Components REXT And CEXT



## 3、 Electrical Parameter

### 3.1、 Absolute Maximum Ratings

(Voltages are referenced to  $V_{SS}$  (ground=0V), unless otherwise specified.)

Parameter	Symbol	Conditions	Min.	Max.	Unit
supply voltage	$V_{DD}$	-	-0.5	+14	V
DC input current	$I_{IK}$	any one input	-	$\pm 10$	mA
input voltage	$V_I$	all inputs	-0.5	$V_{DD}+0.5$	V
storage temperature	$T_{stg}$	-	-65	+150	$^{\circ}C$
total power dissipation	$P_{tot}$	-	-	500	mW
device dissipation	$P$	per output transistor	-	100	mW
Soldering temperature	$T_L$	10s	DIP	245	$^{\circ}C$
			SOP/TSSOP	260	

### 3.2、 Recommended Operating Conditions

Parameter	Symbol	Conditions	Min.	Typ.	Max.	Unit
supply voltage	$V_{DD}$	-	3	-	12	V
ambient temperature	$T_{amb}$	in free air	-40	-	+125	$^{\circ}C$





### 3.3、Electrical Characteristics

#### 3.3.1、DC Characteristics 1

( $T_{amb}=25^{\circ}\text{C}$ , voltages are referenced to  $V_{SS}$  (ground=0V), unless otherwise specified.)

Parameter	Symbol	Conditions			$T_{amb}=25^{\circ}\text{C}$			Unit
		$ I_{O} (\mu\text{A})$	$V_{O}(\text{V})$	$V_{DD}(\text{V})$	Min.	Typ.	Max.	
supply current	$I_{DD}$	active state		5	-	55	-	$\mu\text{A}$
		$V_I=V_{SS}$ or $V_{DD}$		10	-	150	-	$\mu\text{A}$
LOW-level output current	$I_{OL}$	-	0.4	5	0.5	-	-	mA
		-	0.5	10	1.3	-	-	mA
HIGH-level output current	$I_{OH}$	-	2.5	5	-	-	-1.4	mA
		-	4.6	5	-	-	-0.5	mA
		-	9.5	10	-	-	-1.3	mA
LOW-level output voltage	$V_{OL}$	<1	-	5	-	-	0.05	V
		<1	-	10	-	-	0.05	V
HIGH-level output voltage	$V_{OH}$	<1	-	5	4.95	-	-	V
		<1	-	10	9.95	-	-	V
LOW-level input voltage	$V_{IL}$	<1	-	5	-	-	1.5	V
		<1	-	10	-	-	3	V
HIGH-level input voltage	$V_{IH}$	<1	-	5	3.5	-	-	V
		<1	-	10	7	-	-	V
input leakage current	$I_I$	nA, nB		12	-	-	$\pm 1.0$	$\mu\text{A}$
		nREXT/CEXT		12	-	-	$\pm 1.0$	$\mu\text{A}$

#### 3.3.2、DC Characteristics 2

( $T_{amb}=-40^{\circ}\text{C}$  to  $+125^{\circ}\text{C}$ , voltages are referenced to  $V_{SS}$  (ground=0V), unless otherwise specified.)

Parameter	Symbol	Conditions			$T_{amb}=-40^{\circ}\text{C}$		$T_{amb}=+85^{\circ}\text{C}$		$T_{amb}=+125^{\circ}\text{C}$		Unit
		$ I_{O} (\mu\text{A})$	$V_{O}(\text{V})$	$V_{DD}(\text{V})$	Min.	Max.	Min.	Max.	Min.	Max.	
LOW-level output current	$I_{OL}$	-	0.4	5	0.64	-	0.36	-	0.36	-	mA
		-	0.5	10	1.6	-	0.9	-	0.9	-	mA
HIGH-level output current	$I_{OH}$	-	2.5	5	-	-1.7	-	-1.1	-	-1.1	mA
		-	4.6	5	-	-0.64	-	-0.36	-	-0.36	mA
		-	9.5	10	-	-1.6	-	-0.9	-	-0.9	mA
LOW-level output voltage	$V_{OL}$	<1	-	5	-	0.05	-	0.05	-	0.05	V
		<1	-	10	-	0.05	-	0.05	-	0.05	V
HIGH-level output voltage	$V_{OH}$	<1	-	5	4.95	-	4.95	-	4.95	-	V
		<1	-	10	9.95	-	9.95	-	9.95	-	V
LOW-level input voltage	$V_{IL}$	<1	-	5	-	1.5	-	1.5	-	1.5	V
		<1	-	10	-	3.0	-	3.0	-	3.0	V
HIGH-level input voltage	$V_{IH}$	<1	-	5	3.5	-	3.5	-	3.5	-	V
		<1	-	10	7.0	-	7.0	-	7.0	-	V
input leakage current	$I_I$	nA, nB		12	-	$\pm 0.1$	-	$\pm 1.0$	-	$\pm 1.0$	$\mu\text{A}$
		nREXT/CEXT		12	-	$\pm 1.0$	-	$\pm 1.0$	-	$\pm 1.0$	$\mu\text{A}$



### 3.3.3. AC Characteristics

( $T_{amb}=25^{\circ}C$ ,  $V_{SS}=0V$ , unless otherwise specified.)

Parameter	Symbol	Conditions	Min.	Typ.	Max.	Unit	
HIGH to LOW propagation delay	$t_{PHL}$	$\overline{nA}$ or $\overline{nB}$ to $\overline{nQ}$ ; see Figure 4	$V_{DD}=5V$	-	220	440	ns
			$V_{DD}=10V$	-	85	190	ns
		$\overline{nCD}$ to $\overline{nQ}$ ; see Figure 4	$V_{DD}=5V$	-	125	250	ns
			$V_{DD}=10V$	-	55	110	ns
LOW to HIGH propagation delay	$t_{PLH}$	$\overline{nA}$ or $\overline{nB}$ to $\overline{nQ}$ ; see Figure 4	$V_{DD}=5V$	-	200	460	ns
			$V_{DD}=10V$	-	90	180	ns
		$\overline{nCD}$ to $\overline{nQ}$ ; see Figure 4	$V_{DD}=5V$	-	125	250	ns
			$V_{DD}=10V$	-	55	110	ns
transition time	$t_t$	see Figure 4	$V_{DD}=5V$	-	60	120	ns
			$V_{DD}=10V$	-	30	60	ns
recovery time	$t_{rec}$	$\overline{nCD}$ to $\overline{nA}$ or $\overline{nB}$ ; see Figure 5	$V_{DD}=5V$	-	20	40	ns
			$V_{DD}=10V$	-	10	20	ns
retrigger time	$t_{rtrig}$	$\overline{nQ}$ , $\overline{nQ}$ to $\overline{nA}$ , $\overline{nB}$ ; see Figure 5	$V_{DD}=5V$	0	-	-	ns
			$V_{DD}=10V$	0	-	-	ns
pulse width	$t_w$	$\overline{nA}$ LOW; minimum width; see Figure 5	$V_{DD}=5V$	90	45	-	ns
			$V_{DD}=10V$	30	15	-	ns
		$\overline{nB}$ HIGH; minimum width; see Figure 5	$V_{DD}=5V$	50	25	-	ns
			$V_{DD}=10V$	24	12	-	ns
		$\overline{nCD}$ LOW; minimum width; see Figure 5	$V_{DD}=5V$	55	25	-	ns
			$V_{DD}=10V$	25	12	-	ns
		$\overline{nQ}$ or $\overline{nQ}$ ; $R_{EXT}=100k\Omega$ ; $C_{EXT}=2nF$ ; see Figure 5	$V_{DD}=5V$	218	230	242	us
			$V_{DD}=10V$	213	224	235	us
		$\overline{nQ}$ or $\overline{nQ}$ ; $R_{EXT}=100k\Omega$ ; $C_{EXT}=0.1\mu F$ ; see Figure 5	$V_{DD}=5V$	10.3	10.8	11.3	ms
			$V_{DD}=10V$	10.2	10.7	11.2	ms
$\overline{nQ}$ or $\overline{nQ}$ ; $R_{EXT}=100k\Omega$ ; $C_{EXT}=10\mu F$ ; see Figure 5	$V_{DD}=5V$	1.01	1.09	1.11	s		
	$V_{DD}=10V$	0.99	1.04	1.09	s		
pulse width variation	$\Delta t_w$	$\overline{nQ}$ or $\overline{nQ}$ variation over temperature range; see Figure 6	$V_{DD}=5V$	-	$\pm 0.2$	-	%
			$V_{DD}=10V$	-	$\pm 0.2$	-	%
		$\overline{nQ}$ or $\overline{nQ}$ variation over $V_{DD}$ voltage range 5V to 12V; see Figure 7		-	$\pm 1.5$	-	%
		$\overline{nQ}$ or $\overline{nQ}$ variation between monostables in the same device; $R_{EXT}=100k\Omega$ ; $C_{EXT}=2nF$ to $10\mu F$	$V_{DD}=5V$	-	$\pm 1$	-	%
			$V_{DD}=10V$	-	$\pm 1$	-	%



external timing resistor	$R_{EXT}$	-	5	-	-	k $\Omega$
external timing capacitor	$C_{EXT}$	-	2000	-	no limits	pF
input capacitance	$C_I$	-	-	-	7.5	pF

Note:

[1]  $t_i$  is the same as  $t_{TLH}$  and  $t_{THL}$ .

[2] The maximum permissible resistance  $R_{EXT}$ , which holds the specified accuracy of  $t_w$  (nQ, nQ̄ output), depends on the leakage current of the capacitor  $C_{EXT}$  and the leakage current of the CD4538.

## 4. Testing Circuit

### 4.1. AC Testing Circuit

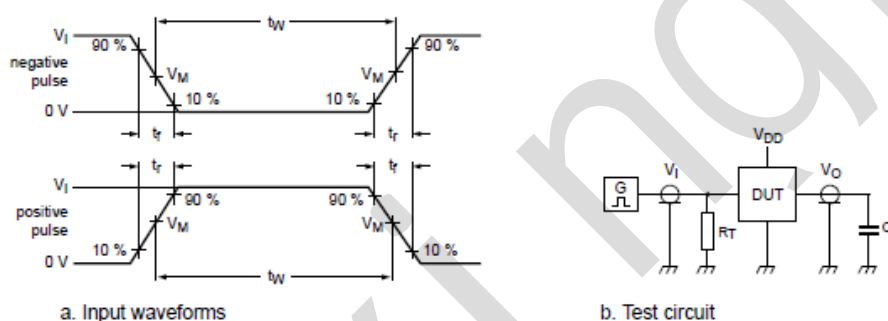


Figure 3. Test circuit for switching times

Definitions for test circuit:

DUT=Device Under Test.

$C_L$ =Load capacitance including jig and probe capacitance.

$R_T$ =Termination resistance should be equal to the output impedance  $Z_o$  of the pulse generator.

### 4.2. AC Testing Waveforms

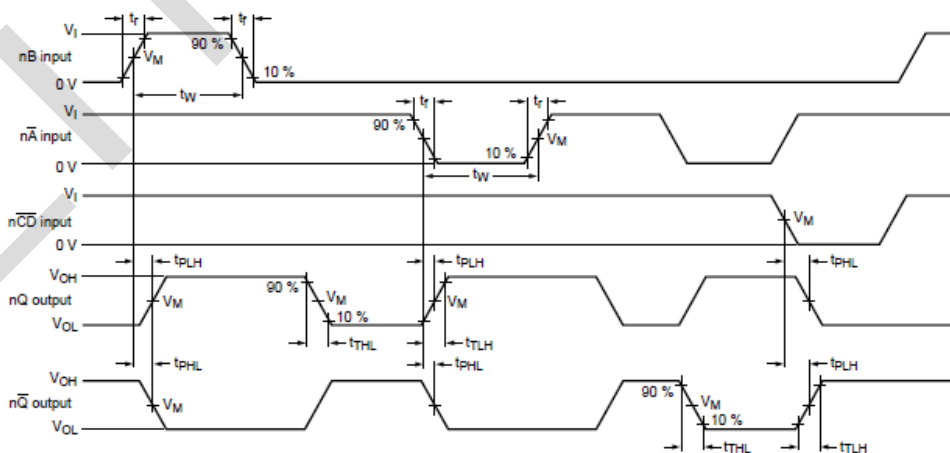


Figure 4. Waveforms showing propagation delays

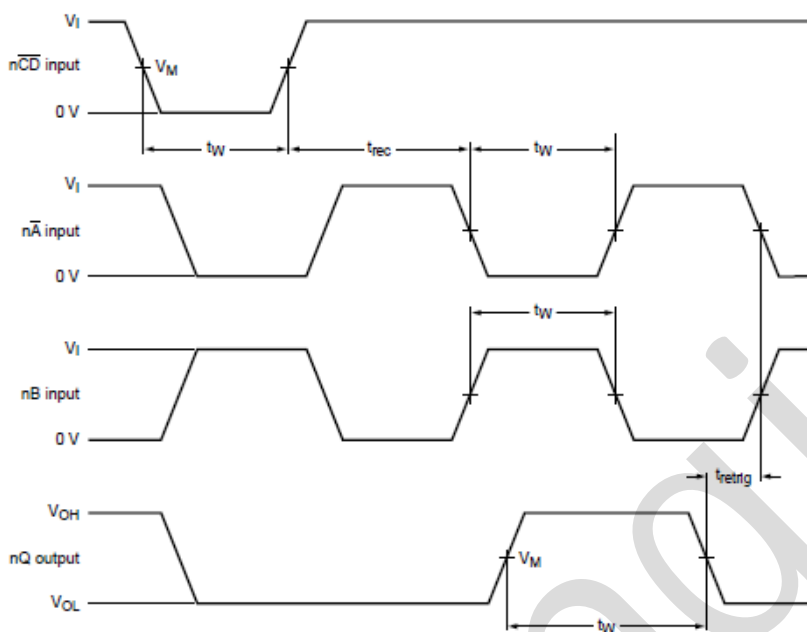
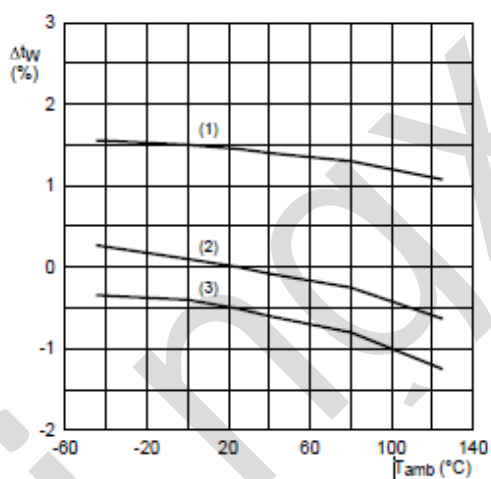


Figure 5. Waveforms showing minimum  $n\overline{CD}$ ,  $n\overline{A}$ ,  $nB$ , and  $nQ$  pulse widths, recovery and retrigger times



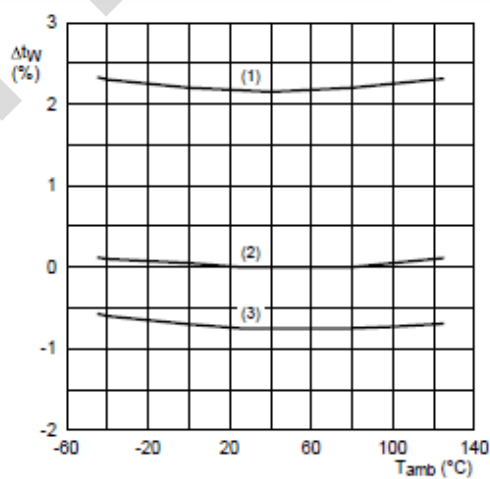
a.  $R_{EXT} = 100 \text{ k}\Omega$ ;  $C_{EXT} = 100 \text{ nF}$

(1)  $V_{DD} = 5 \text{ V}$

(2)  $V_{DD} = 10 \text{ V}$

(3)  $V_{DD} = 15 \text{ V}$

$\Delta t_W = 0\%$  at  $V_{DD} = 10 \text{ V}$  and  $T_{amb} = 25 \text{ }^\circ\text{C}$



b.  $R_{EXT} = 100 \text{ k}\Omega$ ;  $C_{EXT} = 2 \text{ nF}$

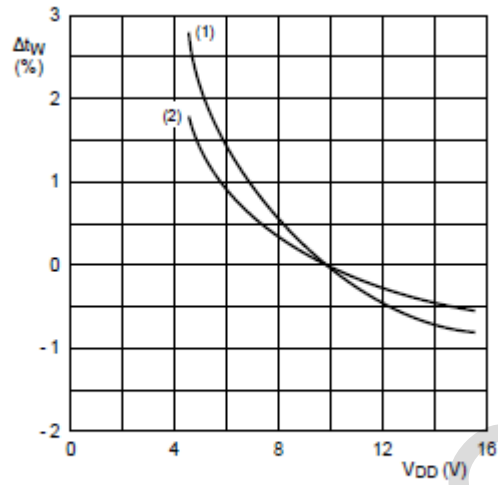
(1)  $V_{DD} = 5 \text{ V}$

(2)  $V_{DD} = 10 \text{ V}$

(3)  $V_{DD} = 15 \text{ V}$

$\Delta t_W = 0\%$  at  $V_{DD} = 10 \text{ V}$  and  $T_{amb} = 25 \text{ }^\circ\text{C}$

Figure 6. Typical normalized change in output pulse width as a function of ambient temperature



$T_{amb} = 25\text{ }^{\circ}\text{C}$ ;  $\Delta t_W = 0\%$  at  $V_{DD} = 10\text{ V}$ ;  $R_{EXT} = 100\text{ k}\Omega$   
 (1)  $C_{EXT} = 2\text{ nF}$   
 (2)  $C_{EXT} = 100\text{ nF}$

Figure 7. Typical normalized change in output pulse width as a function of the supply voltage

#### 4.3. Measurement Points

Supply voltage	Input	Output
$V_{DD}$	$V_M$	$V_M$
5V to 12V	$0.5 \times V_{DD}$	$0.5 \times V_{DD}$

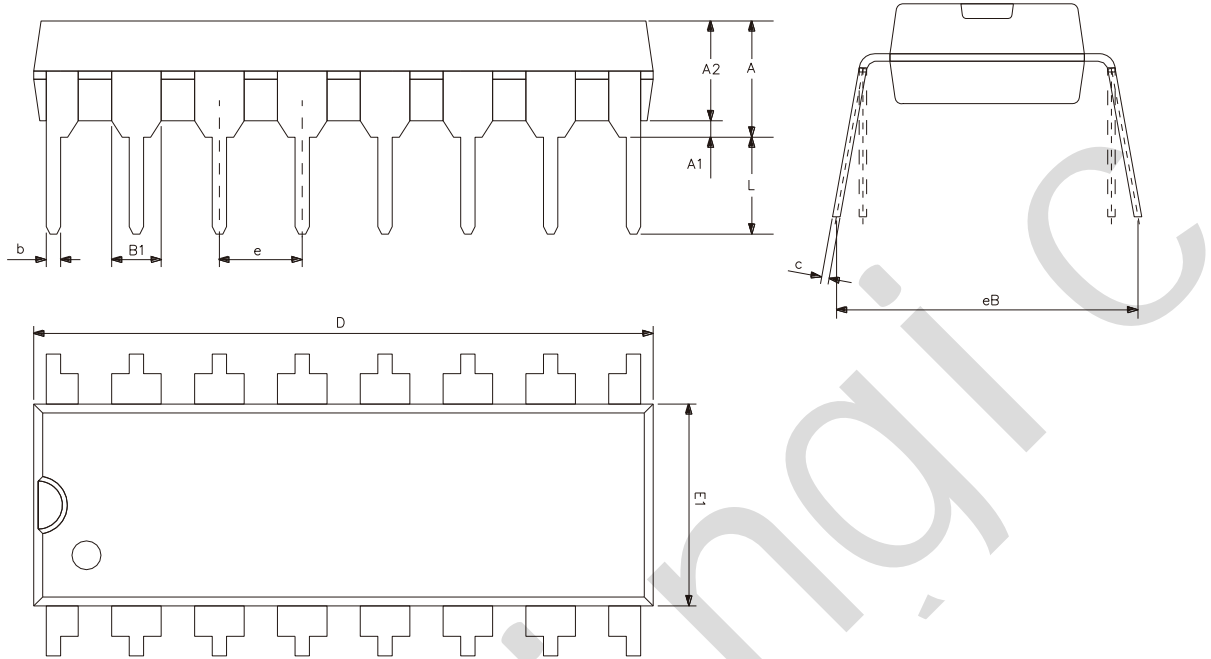
#### 4.4. Test Data

Supply voltage	Input		Load
$V_{DD}$	$V_I$	$t_r, t_f$	$C_L$
5V to 12V	$V_{SS}$ or $V_{DD}$	$\leq 20\text{ ns}$	50pF



## 5、Package Information

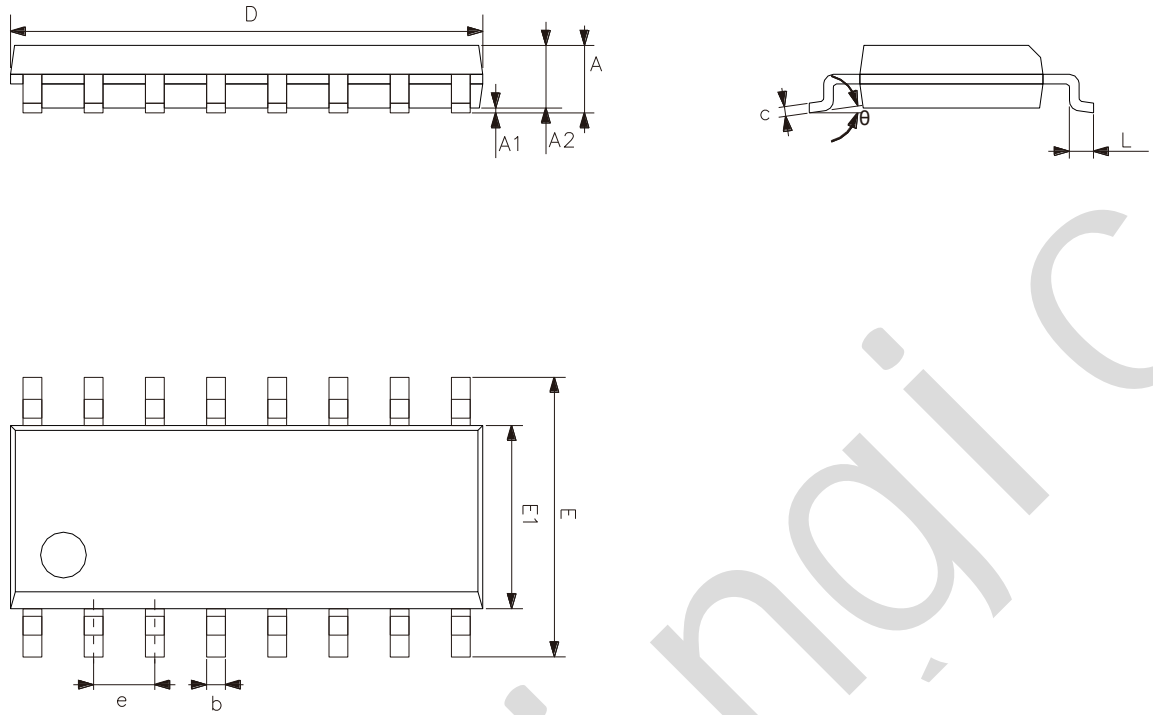
### 5.1、DIP16



Symbol	Dimensions (mm)	
	Min.	Max.
A2	3.20	3.60
A1	0.51	-
A	3.60	5.33
L	3.00	3.60
b	0.36	0.56
B1	1.52	
D	18.80	19.94
E1	6.20	6.60
e	2.54	
c	0.20	0.36
eB	7.62	9.30



## 5.2、SOP16

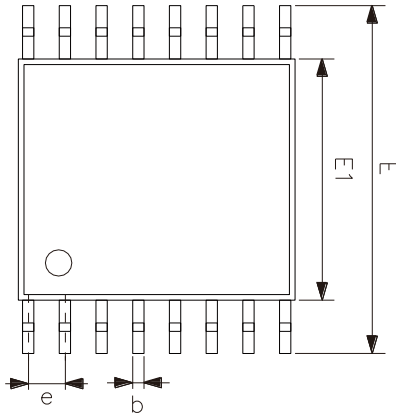
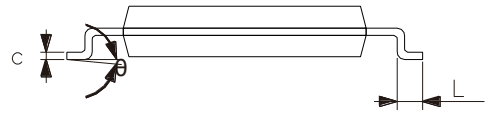
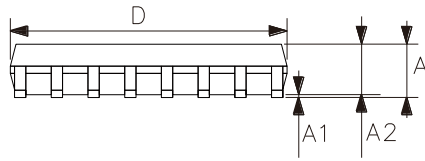


Symbol	Dimensions (mm)	
	Min.	Max.
A	1.35	1.80
A1	0.10	0.25
A2	1.25	1.55
b	0.33	0.51
c	0.19	0.25
D	9.50	10.10
E	5.80	6.30
E1	3.70	4.10
e	1.27	
L	0.35	0.89
$\theta$	0°	8°



灵星芯微 芯片封装

### 5.3、TSSOP16



Symbol	Dimensions (mm)	
	Min.	Max.
A	-	1.20
A1	0.05	0.15
A2	0.80	1.05
b	0.19	0.30
c	0.09	0.20
D	4.90	5.10
E1	4.30	4.50
E	6.20	6.60
e	0.65	
L	0.45	0.75
$\theta$	0°	8°





## 6、 Statements And Notes

### 6.1、 The name and content of Hazardous substances or Elements in the product

Part name	Hazardous substances or Elements									
	Lead and lead compounds	Mercury and mercury compounds	Cadmium and cadmium compounds	Hexavalent chromium compounds	Polybrominated biphenyls	Polybrominated biphenyl ethers	Dibutyl phthalate	Butylbenzyl phthalate	Di-2-ethylhexyl phthalate	Diisobutyl phthalate
Lead frame	○	○	○	○	○	○	○	○	○	○
Plastic resin	○	○	○	○	○	○	○	○	○	○
Chip	○	○	○	○	○	○	○	○	○	○
The lead	○	○	○	○	○	○	○	○	○	○
Plastic sheet installed	○	○	○	○	○	○	○	○	○	○
explanation	○: Indicates that the content of hazardous substances or elements in the detection limit of the following the SJ/T11363-2006 standard. ×: Indicates that the content of hazardous substances or elements exceeding the SJ/T11363-2006 Standard limit requirements.									

### 6.2、 Notes

We Recommend you to read this chapter carefully before using this product.

The information in this chapter is provided for reference only and Lingxing disclaims any express or implied warranties, including but not limited to applicability, special application or non-infringement of third party rights.

This product is not suitable for critical equipment such as life-saving, life-sustaining or safety equipment. It is also not suitable for applications that may result in personal injury, death, or serious property or environmental damage due to product malfunction or failure. Lingxing will not be liable for any damages incurred by the customers at their own risk for such applications.

The customer is responsible for conducting all necessary tests Lingxing's application to avoid failure in the application or the application of the customer's third party users. Lingxing does not accept any liability.

The Company reserves the right to change or improve the information published in this chapter at any time. The information in this chapter are subject to change without notice. We recommend the customer to consult our sales staff before purchasing.

Please obtain related materials form Lingxing's regular channels and we are not responsible for its content if it is provided by sources other than our company.

In case of any conflict between the Chinese and English version, the version is subject to the Chinese one.