

NOTES1:

UL Standard

- 1.Rated voltage/current : 300V / 10A
- 2.Withstanding voltage : AC1600V/1Min.

IEC Standard

1.	Pollution degree	2	2	3
	Overtoltage category	II	III	III
	Rate impulse voltage(KV)	4KV	4KV	4KV
	Rate voltage(V)	630V	400V	250V
	Rate current(A)	8A		

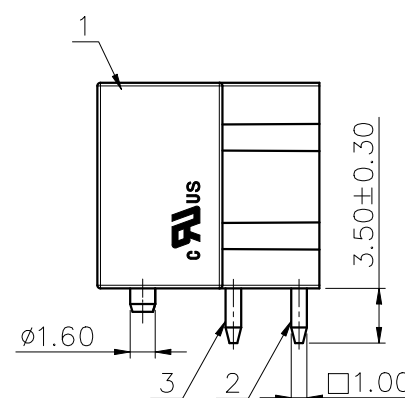
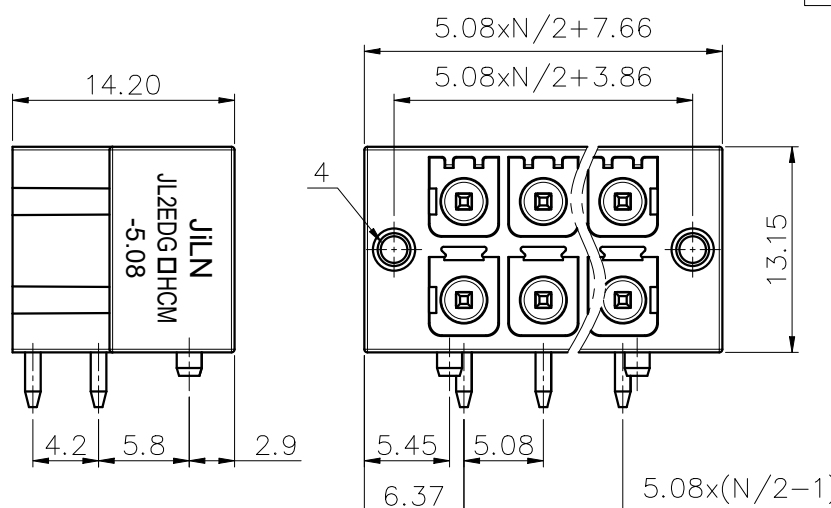
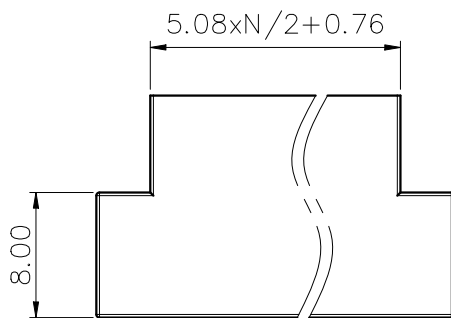
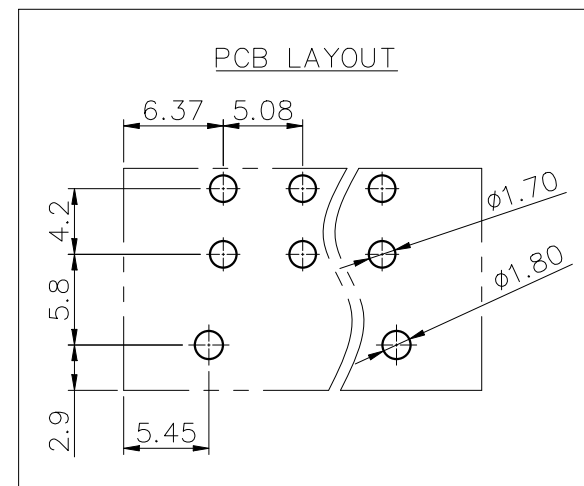
NOTES2:

- 1.Dimension shall be interpreted per ASME Y14.5-2009
- 2.Pitch : 5.08mm, Poles : N=04~48P
- 3.Operating temperature: -40°C~+105°C
- 4.Undimensioned tolerances:

Normal tolerances in mm					-	∩	∇
≤5	>5 ~ 20	>20 ~ 50	>50 ~ 100	>100 ~	0.10/10		
±0.15	±0.20	±0.30	±0.40	±0.50	±2°		

5.RoHS Compliance

REVISION RECORD				
REV	ECN	DESCRIPTION	DRFT	DATE
A0		NEW		2024.03.07



Ordering Information

JL2EDGRHCM - 508 XX X XX

- Pitch 508=5.08PH
- No.of pins 04=4P, 06=6P, 48=48P
- Housing Color B=Black, G=Green, U=Blue, R=Red, W=White, Y=Yellow, O=Orange, E=Grey
- Stream code

4	Nut	Steel	Zn Plated	DRAW	WH.LU	SCALE	FIT	东莞市锦凌电子有限公司 DONGGUAN JINLING ELECTRONIC CO.,LTD		
3	Pin 2	Copper	Sn Plated			UNIT	mm			
2	Pin 1	Copper	Sn Plated	CHECK	W.CHEN	SIZE	A4			
1	Housing	Thermoplastic	UL94V-0			SHEET	1/1	TITLE:	JL2EDGRHCM-THR-5.08-2*xxP插拔式公座/带耳	
ITEM	NAME OF PART	MATERIAL	NOTES	APPROVE	LC.LIU	PROJ.	DATE OF ISSUE:	2024.03.07	REV:	A0