

Description

The WL9015 series are high accuracy, CMOS LDO Voltage Regulators, offering Low Power Consumption, high ripple rejection ratio and low dropout. Internally, the WL9015 includes a reference voltage source, error amplifiers, driver transistors, current limiters and phase compensators. The WL9015's current limiters' foldback circuit also operates as a short protect for the output current limiter and the output pin.

The WL9015 series is also fully compatible with low ESR ceramic capacitors, reducing cost and improving output stability. This high level of output stability is maintained even during frequent load fluctuations, due to the excellent transient response performance and high PSRR achieved across a broad range of frequencies. The CE function allows the output of regulator to be turned off, resulting in greatly reduced power consumption, ideal for powering the battery equipment to a longer service life.

Features

- Low Power Consumption: 2 μ A (Typ)
- Maximum Output Current: 500mA
- Low Dropout Voltage: 150mV@100mA ($V_{OUT}=3.3V$)
- Operating Voltage Range: 2.5V ~ 24V
- Output Voltage Accurate: $\pm 1\%$
- High PSRR: 70dB @1kHz
- Good Transient Response
- Integrated Short-Circuit Protection
- Over-Temperature Protection
- Output Current Limit
- Low Temperature Coefficient
- Stable with Ceramic Capacitor
- RoHS Compliant and Lead (Pb) Free
- -40°C to +85°C Operating Temperature Range
- Fixed Output Voltage Versions: 1.8, 2.5, 2.8, 3.0, 3.3, 3.6, 4.0, 4.2, 4.4 and 5.0V
- Available in Green SOT23-3, SOT23-5, SOT89-3, SOT89-5, DFN2x2-6L Packages

Applications

- Portable, Battery Powered Equipment
- Smoke detector and sensor
- Audio/Video Equipmen
- Weighting Scales
- Home Automation
- Electronic fingerprint lock

Application Circuits

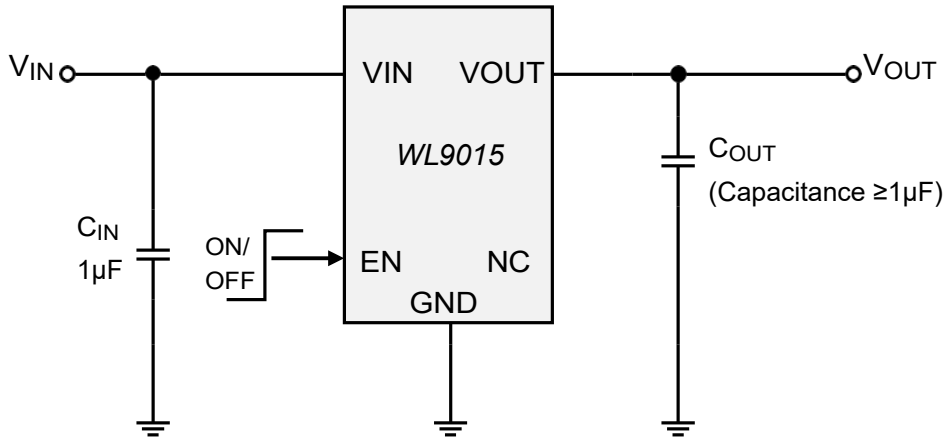
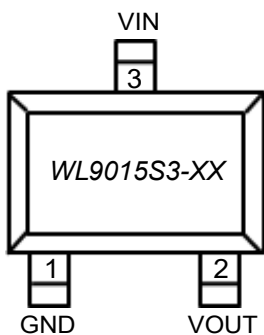
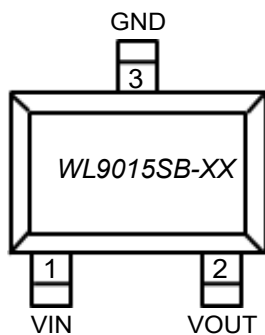


Figure 1. WL9015 Typical Application Circuit

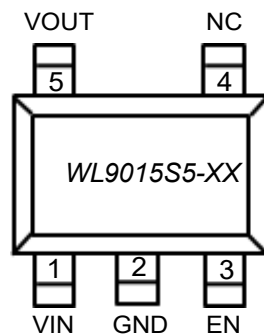
Pin Configuration (TOP VIEW)



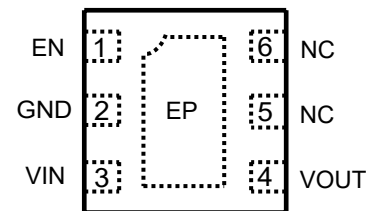
SOT23-3



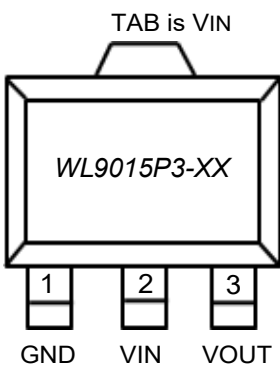
SOT23-3(B-Type)



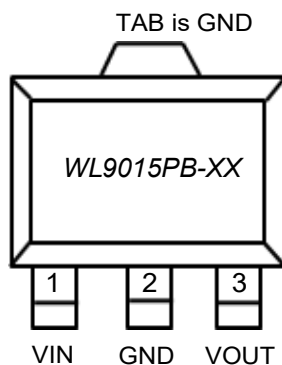
SOT23-5



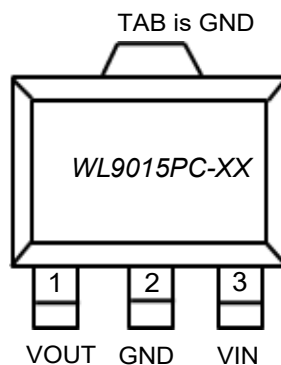
WL9015D6-XX
DFN-6L (2mm × 2mm)
0.8mm height(max), 0.65mm pitch



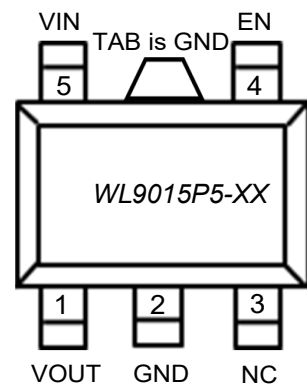
SOT89-3



SOT89-3(B-Type)



SOT89-3(C-Type)



SOT89-5

Pin Description

Pin No.								Pin Name	Pin Function
SOT23-3		SOT89-3			SOT23-5	SOT89-5	DFN2X2-6		
S3	SB	P3	PB	PC	S5	P5	D6		
1	3	1	2	2	2	2	2	GND	Ground
3	1	2	1	3	1	5	3	VIN	Power Input
2	2	3	3	1	5	1	4	VOUT	Output Voltage
----	----	----	----	----	3	4	1	EN	Enable Control Input
----	----	----	----	----	4	3	5、6	NC	No Connect
EP / TAB		In PCB layout, prefer to use large copper area to cover this pad for better thermal dissipation							

Order Information

WL9015①②-③④

Designator	Symbol	Description
①②	S3 , S5 , D6 , P3 , P5	SOT23-3L , SOT23-5L , DFN6L , SOT89-3L , SOT89-5L
③④	Integer e.g 1.8=18	Output Voltage 1.8,2.5,2.8,3.0,3.3,3.6,4.0,4.2,4.4 and 5.0V

Part NO.	Description	Package	T/R Qty
WL9015S3-XX	WL9015 24V ,2 μ A Iq ,High PSRR ,500mA Low-Dropout LDO	SOT23-3L	3,000 PCS
WL9015S5-XX		SOT23-5L	3,000 PCS
WL9015D6-XX		DFN2X2-6L	5,000 PCS
WL9015P3-XX		SOT89-3L	1,000 PCS
WL9015P5-XX		SOT89-5L	1,000 PCS

Marking Information

For marking information, contact our sales representative directly



All WPMtek parts are Pb-Free and adhere to the RoHS directive.

Absolute Maximum Ratings

Item	Symbol	Rating	Unit
Supply Input Voltage	V _{IN}	-0.3 ~ 24	V
EN to GND	V _{EN}	-0.3 ~ 24	V
Regulated Output Voltage	V _{OUT}	-0.3 ~ 6.0	V
Output Current	I _{OUT}	Internally limited	mA
Power Dissipation P _D @T _A =+25°C	SOT23-3L	450	mW
	SOT23-5L	500	
	SOT89-3L	700	
	SOT89-3L(B/C-Type)	950	
	SOT89-5L	1000	
	DFN2X2-6L	500	
Thermal Resistance (Junction to air)	SOT23-3L	275	°C / W
	SOT23-5L	250	
	SOT89-3L	180	
	SOT89-3L(B/C-Type)	130	
	SOT89-5L	125	
	DFN2X2-6L	250	
Human Body Model (HBM)		±4000	V
Charged Device Mode (CDM)		±2000	V
Machine Mode (MM)		200	V
Storage Temperature Range	T _{STG}	-65 ~ +150	°C
Operating Junction Temperature	T _J	+150	°C
Lead Temperature (Soldering 10s)	T _{LEAD}	+260	°C

Note:

- 1、Stresses beyond those listed under Absolute Maximum Ratings may cause permanent damage to the device. These are stress ratings only and functional operation of the device at these conditions is not implied. Exposure to absolute-maximum-rated conditions for extended period may affect device reliability.
- 2、Ratings apply to ambient temperature at +25°C
- 3、The package thermal impedance is calculated in accordance to JESD 51-7.

Recommended Operating Conditions

Item	Min	Max	Unit
Operating Ambient Temperature	-40	+85	°C
Input Voltage	2.5	12	V
Output Voltage	1.8	5.0	V

Electronic Characteristics

Test Conditions: $V_{IN} = V_{OUT} + 1V$, $C_{IN} = C_{OUT} = 1\mu F$, $T_A = 25^\circ C$, unless otherwise specified

Parameter	Symbol	Test Conditions	Min	Typ	Max	Unit	
Input Voltage	V_{IN}		2.5	---	24	V	
Quiescent Current	I_Q	$V_{IN} = 12V$, $I_{LOAD} = 0mA$	---	2	---	μA	
Shutdown Current	I_{SHDN}	$EN = 0V$, $V_{OUT} = 0V$		0	0.2	μA	
Output Voltage	V_{OUT}	$V_{IN} = 12V$, $I_{LOAD} = 1mA$	$V_{OUT} \times 0.99$	---	$V_{OUT} \times 1.01$	V	
Output Current	I_{OUT}	$V_{IN} = V_{OUT} + 1V$	500	---	---	mA	
Dropout Voltage $V_{OUT} = 3.3V$	V_{DROP}	$I_{LOAD} = 100mA$	---	150	---	mV	
		$I_{LOAD} = 300mA$	---	400	---		
		$I_{LOAD} = 500mA$	---	700	---		
Line Regulation	ΔV_{LINE}	$I_{LOAD} = 10mA$ $V_{OUT} + 1.0V \leq V_{IN} \leq 20V$	---	0.05	---	% / V	
Load Regulation	ΔV_{LOAD}	$V_{IN} = V_{OUT} + 1V$ $1mA \leq I_{LOAD} \leq 100mA$	---	5	20	mV	
EN Threshold Voltage	V_{CEH}	CE "High" Voltage	1.5	---	---	V	
	V_{CEL}	CE "Low" Voltage	---	---	0.4	V	
EN PIN Current	I_{EN}		---	0.1	---	μA	
Current Limit	I_{LIMIT}		---	---	750	mA	
Short Current	I_{SHORT}	$V_{OUT} = GND$	---	100	---	mA	
Output Noise Voltage	V_{ON}	$C_{OUT} = 1\mu F$, $I_{LOAD} = 10mA$ $BW = 10Hz \sim 100kHz$	---	45	---	μV_{rms}	
Power Supply Rejection Rate	PSRR	$V_{IN} = 4.3V$ $V_{OUT} = 3.3V$ $I_{LOAD} = 10mA$	$f = 100Hz$	---	85	---	dB
			$f = 1KHz$	---	70	---	dB
			$f = 10KHz$	---	50	---	dB
Thermal Shutdown Temperature	T_{SHDN}	---	---	160	---	$^\circ C$	
Thermal Shutdown Hysteresis	ΔT_{SHD}	---	---	20	---	$^\circ C$	

Note : All limits specified at room temperature ($T_A = 25^\circ C$) unless otherwise specified. All room temperature limits are 100% production tested. All limits at temperature extremes are ensured through correlation using standard Statistical Quality Control (SQC) methods. All limits are used to calculate Average Outgoing Quality Level (AOQL).

Functional Block Diagram

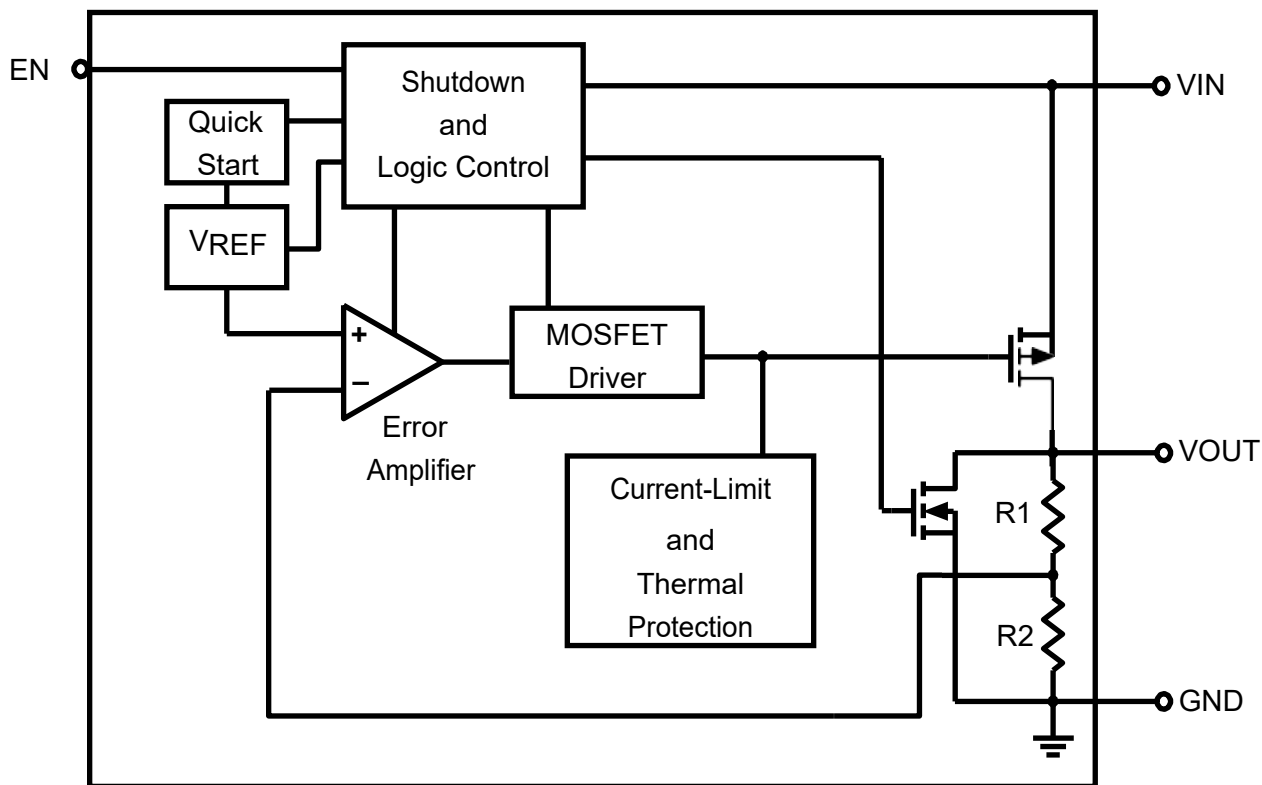


Figure 2. WL9015 Block Diagram

Application Guideline

■ Input Capacitor

A $\geq 1\mu\text{F}$ ceramic capacitor is recommended to connect between VIN and GND pins to decouple input power supply glitch and noise. The amount of the capacitance may be increased without limit. This input capacitor must be located as close as possible to the device to assure input stability and less noise. For PCB layout, a wide copper trace is required for both VIN and GND.

■ Output Capacitor

An output capacitor is required for the stability of the LDO. The recommended output capacitance is $\geq 1\mu\text{F}$, ceramic capacitor is recommended, and temperature characteristics are X7R or X5R. Higher capacitance values help to improve load/line transient response. The output capacitance may be increased to keep low undershoot/overshoot. Place output capacitor as close as possible to VOUT and GND pins.

■ Dropout Voltage

The dropout voltage refers to the voltage difference between the VIN and VOUT pins while operating at specific output current. The dropout voltage V_{DROP} also can be expressed as the voltage drop on the pass-FET at specific output current (I_{RATED}) while the pass-FET is fully operating at ohmic region and the pass-FET can be characterized as a resistance $R_{\text{DS(ON)}}$. Thus the dropout voltage can be defined as ($V_{\text{DROP}} = V_{\text{IN}} - V_{\text{OUT}} = R_{\text{DS(ON)}} \times I_{\text{RATED}}$). For normal operation, the suggested LDO operating range is ($V_{\text{IN}} > V_{\text{OUT}} + V_{\text{DROP}}$) for good transient response and PSRR ability. Vice versa, while operating at the ohmic region will degrade the performance severely.

■ Thermal Application

For continuous operation, do not exceed the absolute maximum junction temperature. The maximum power dissipation depends on the thermal resistance of the IC package, PCB layout, rate of surrounding airflow, and difference between junction and ambient temperature. The maximum power dissipation can be calculated as below:

$T_{\text{A}} = 25^{\circ}\text{C}$, AISIS DEMO PCB

The max $P_{\text{D}} = (T_{\text{j}} - T_{\text{A}}) / \theta_{\text{JA}}$.

Power dissipation (P_D) is equal to the product of the output current and the voltage drop across the output pass element, as shown in the equation below:

$$P_D = (V_{IN} - V_{OUT}) \times I_{OUT}$$

■ Layout Consideration

By placing input and output capacitors on the same side of the PCB as the LDO, and placing them as close as is practical to the package can achieve the best performance. The ground connections for input and output capacitors must be back to the WL9015 ground pin using as wide and as short of a copper trace as is practical. Connections using long trace lengths, narrow trace widths, and/or connections through via must be avoided. These add parasitic inductances and resistance that results in worse performance especially during transient conditions.

WPMtek reserves the right to make changes to the product specification and data in this document without notice. WPMtek makes no warranty, representation or guarantee regarding the suitability of its products for any particular purpose, nor does WPMtek assume any liability arising from the application or use of any products or circuits, and specifically disclaims any and all liability, including without limitation special, consequential or incidental damages. Any enquiry, please write to sales@wpmtek.com for further information.