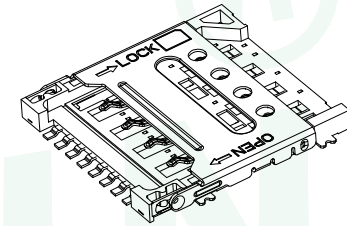
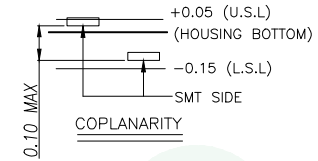
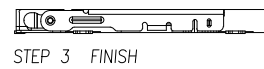
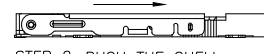
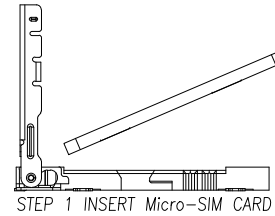
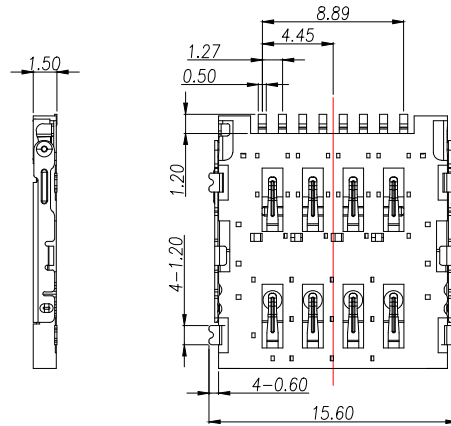
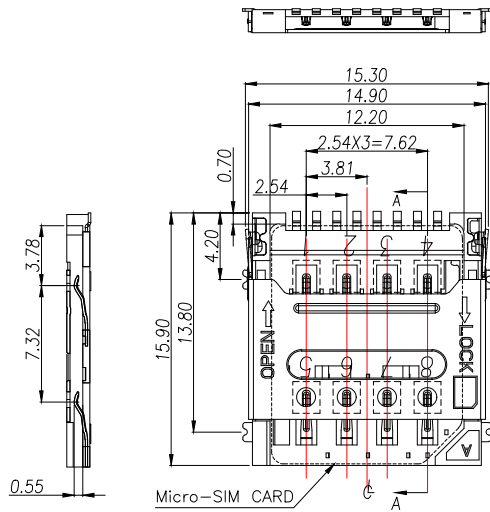


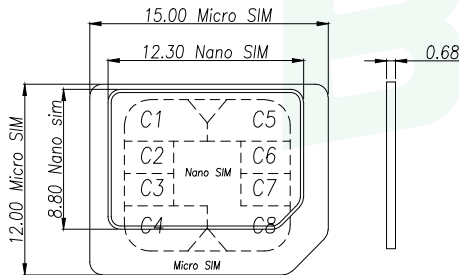
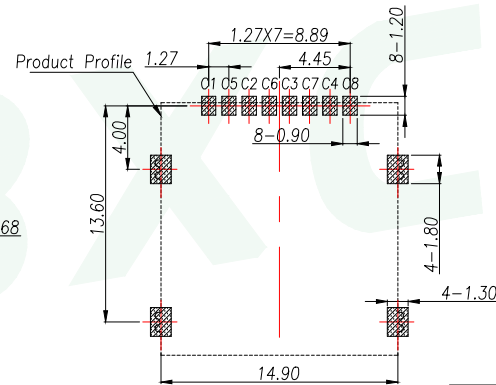
REV.	DESCRIPTION	ECN NO.	NAME	DATE

1
2
3
4
5



- NOTES:
- ELECTRICAL CHARACTERISTICS
 - CONTACT RESISTANCE: 60 MILLIOHMS MAX
 - INSULATION RESISTANCE: 1,000 MEGOHMS MIN.
 - DIELECTRIC WITHSTANDING VOLTAGE: 500V AC FOR 1 MINUTE.
 - MECHANICAL CHARACTERISTICS
 - OPERATION TEMPERATURE RANGE: -25°C~+70°C
 - DURABILITY: 5000 CYCLES
 - MATERIAL:
 - HOUSING: THERMOPLASTIC, UL 94-V0
 - TERMINAL: PHOSPHOR BRONZE, T=0.15
 - SHELL: STAINLESS STEEL, T=0.15
 - FINISHED:
 - TERMINAL: NI PLATED UNDER, AU PLATED ON CONTACT AREA, G/F PLATED ON SOLDER TAIL

MICRO SIM CARD	
Pin No.	NAME
C1	VCC OF SIM
C2	RST OF SIM
C3	CLK OF SIM
C5	GND OF SIM
C6	VPP OF SIM
C7	I/O OF SIM
C4/C8	N/A



▨ PAD AREA
■ KEEP OUT AREA

RECOMMENDED PCB LAYOUT
GENERAL TOLERANCE ±0.05

GENERAL TOLERANCE	DONGGUAN BAOXUN PRECISION TECHNOLOGY CO., LTD				
DIM. TOL.	TITLE: MICRO SIM CARD HINGED 8PIN H1.5 掀盖式				
X ±0.30	DWG. NO.: SIM204-GZ8P		DRAWN: MAX		
X.X ±0.25	PART NO.: SIM204-GZ8P		CHECKED: ELLA		
X.XX ±0.15	UNIT: mm		APPROVED: WILL		
X.XXX ±0.15	SCALE: none	SHEET: 1 of 1	DWG. SIZE: A4	LAYER: bxconn	
GENERAL ANGLE: ±3°					