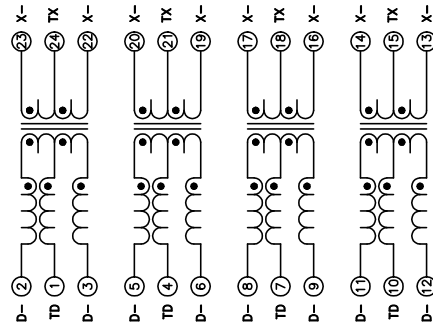
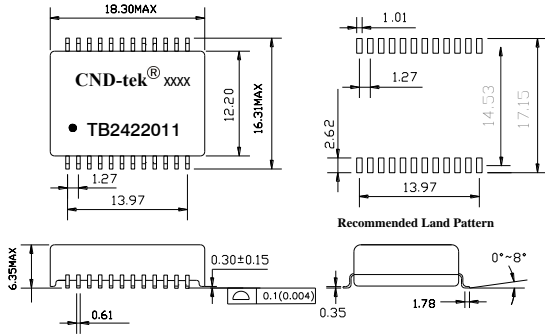


1. Designed for long haul Gigabit Ethernet 1000 Base-T, full duplex applications.
2. Supports four pairs of category 5 UTP cable.
3. Cable interface for isolation and low common mode emissions
4. Compliant with IEEE 802.3ab standard for 1000 Base-T
5. Esigned to support 1:1 Turns Ratio Transceivers.
6. Operating Temperature range: -40°C TO +85°C
7. Torage temperature range: -40°C TO +125°C
8. Designed to comply with POE+ requirements, and handel 500mA DC current.



DIMENSIONS & SCHEMATICS

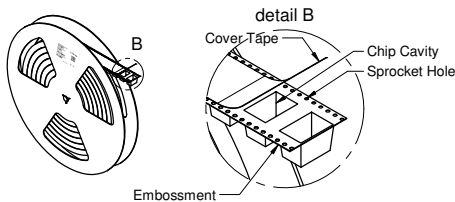


All 24 terminals must lie on a plane within .004mm of surface a after lead tinning

TECHNICAL SPECIFICATIONS

OCL :	350 μ H Min. @ 100 KHz, 100mV with 15mA DC Bias (23-22,20-19,17-16,14-13)
DCR:	1.00 Ω Max.(1-2;4-5;7-8;10-11); 1.30 Ω Max.(2-3;5-6;8-9;11-12) 0.70 Ω Max.(13-14;16-17;19-20;22-23) 0.50 Ω Max.(14-15;17-18;20-21;23-24)
Turns Ratio(\pm 2%):	1CT:1CT(TX), 1CT:1CT(RX)
Insertion Loss:	-1.0dB Max. @ 0.3M-100MHz
Return Loss:	-18dB Min. @ 0.5M-40MHz -15dB Min. @ 40-60 MHz -12dB Min.@ 60-80 MHz -10dB Min.@ 80-100 MHz
Cross Talk:	-35 dB Min.@ 0.3M-100 MHz -42 dB Min.@ 0.3M-32MHz
CMMR :	-33dB Min.@ 32-100 MHz
Isolation HI-POT:	1500Vrms 1mA 60Second or 1800Vrms 1mA 3Second

PACKING SPECIFICATION



1. units/reel:375PCS
2. reel/carton:5PCS
3. units/carton :1875PCS

