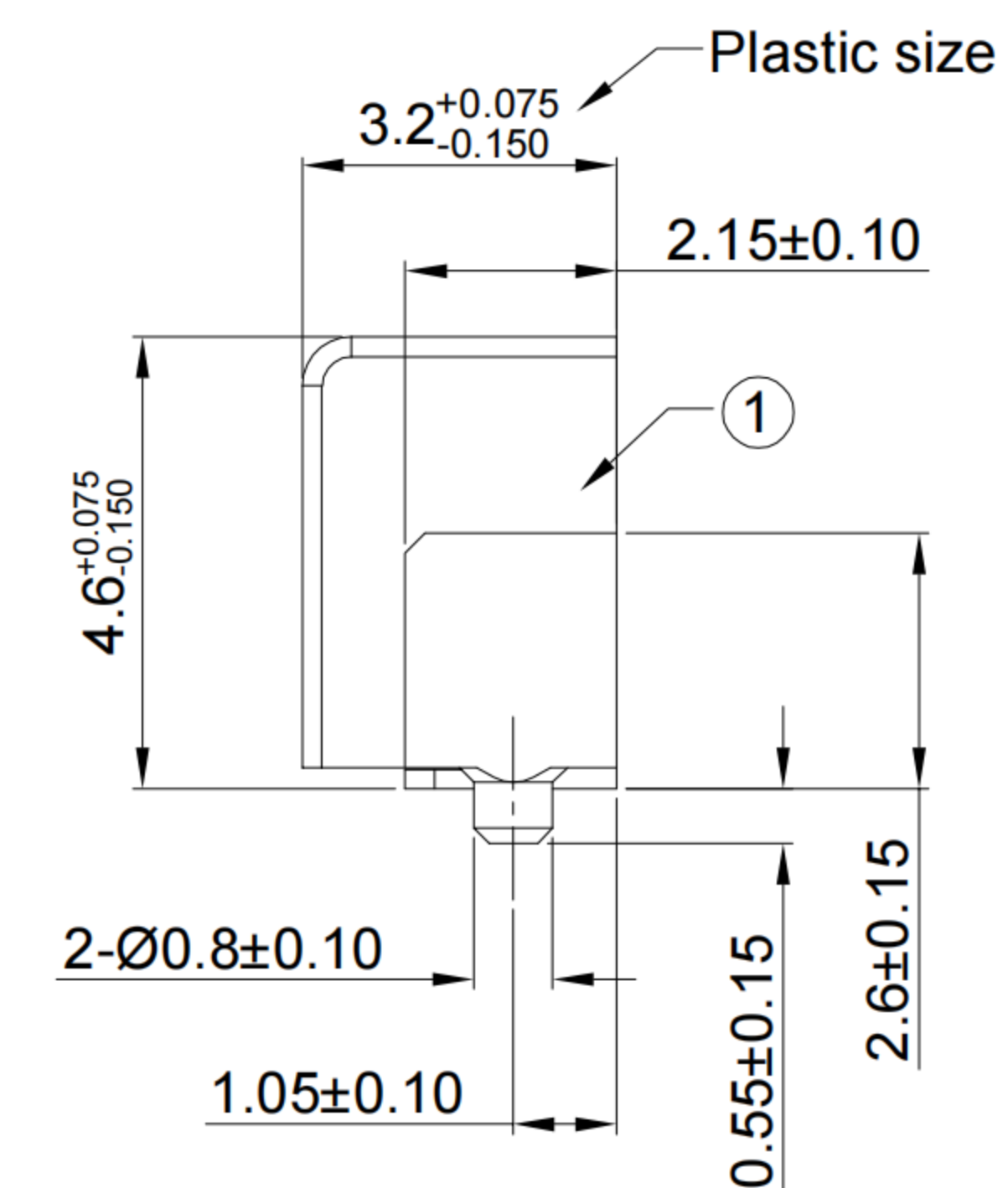
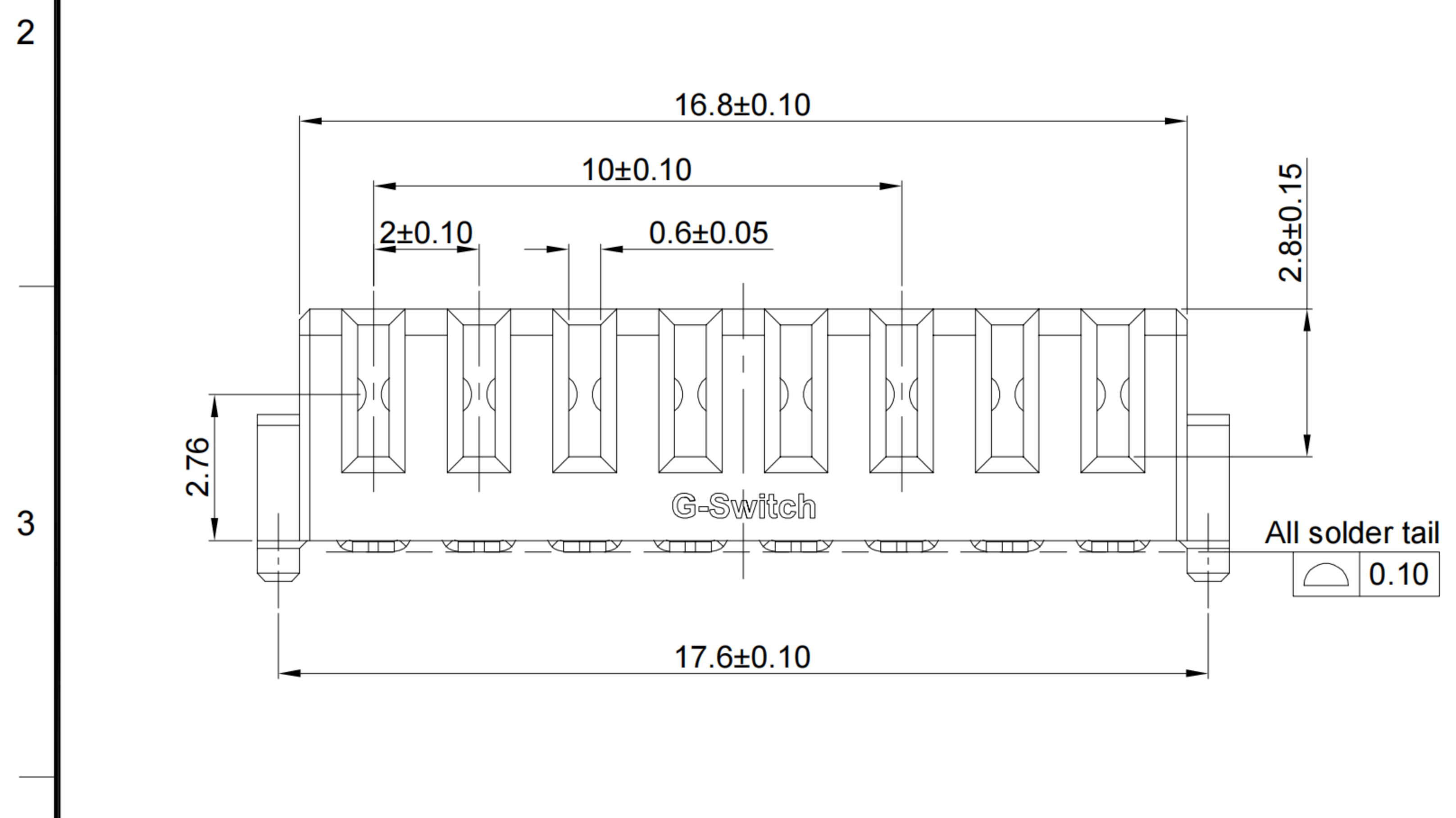


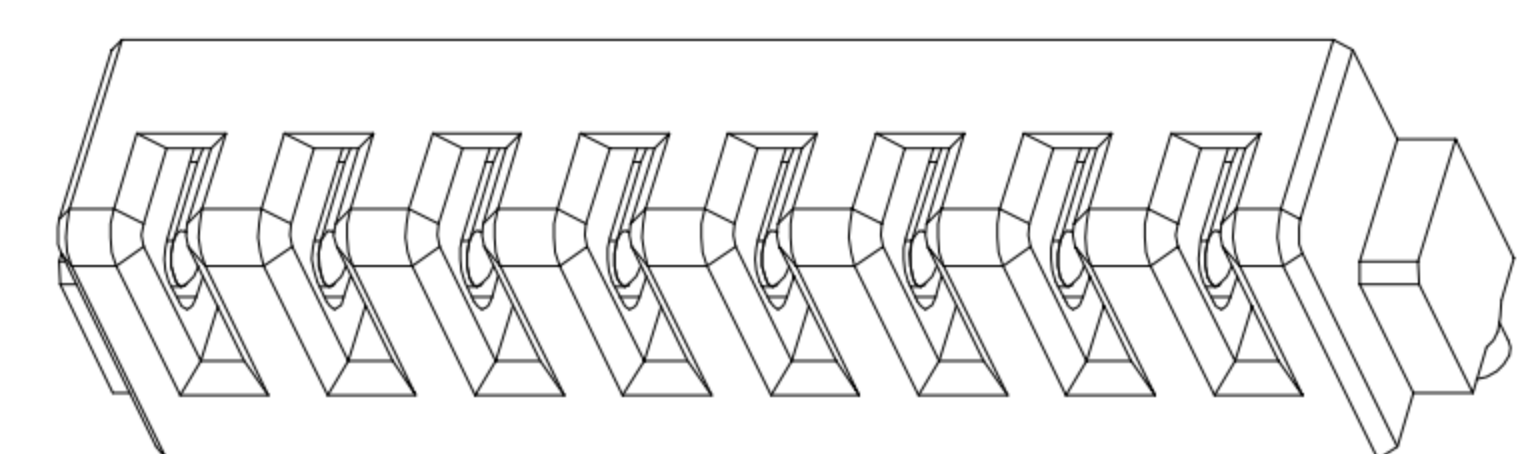
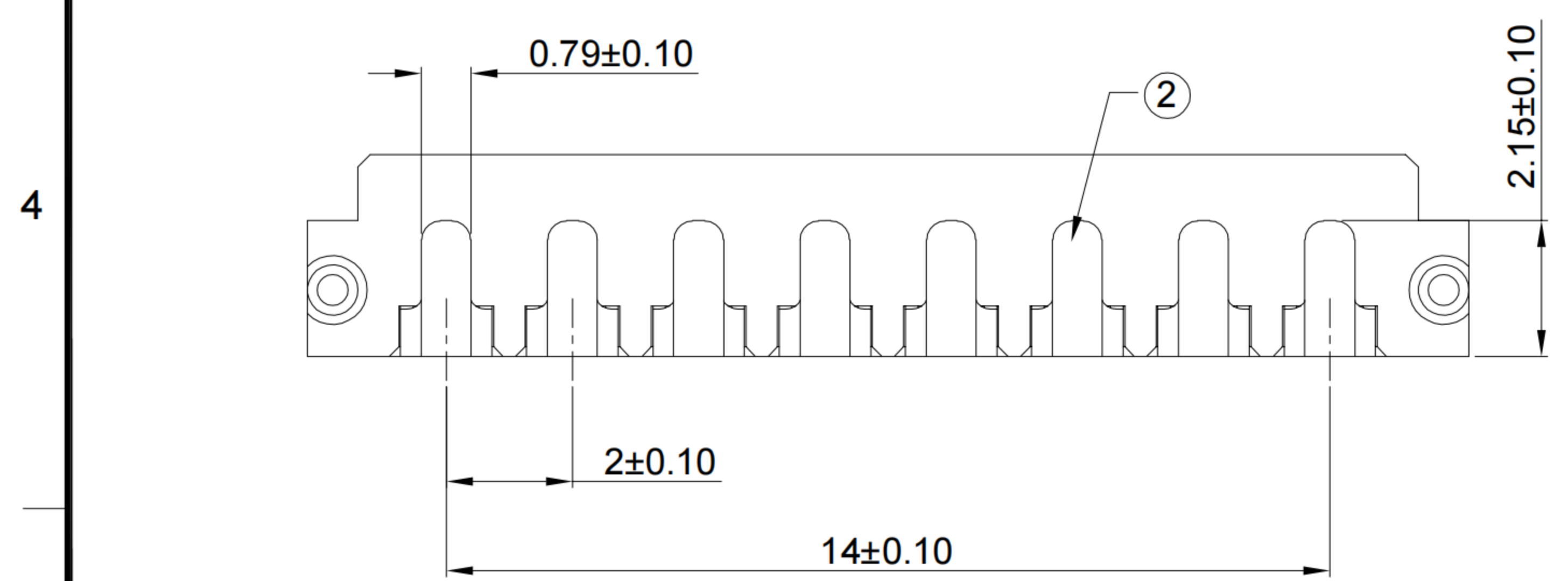
RECOMMENDED PCB LAYOUT  
TOLERANCE:±0.05



GT-BT R 200 08 0460 A - 004A

**G-Switch**  
Series: BT: Battery  
Type: R: Receptacle  
Pitch: 200=2.00

**Serial code**  
Detail: A:With column, B:No column  
Height: 0460=4.60  
Pin Q' PY: 08=8Pin



**G-Switch Specification:**  
1.Current rating: 5A  
2.Rated Voltage: 20V DC  
3.Insulation resistance: 100MΩ min  
4.Contact resistance: 30mΩ max  
5.Dielectric strength: 500V AC  
6.Durability: 10,000cycles Min  
7.Operating temperature range: -40°C ~ +85°C

2	CONTACT	C5191	Au ON CONTACT AREA
1	HOUSING	PA10T	BLACK
NO.	PART NAME	MATERIAL	REMARK



SCALE: 1:1	UNIT: mm
SIZE: A4	
Unless otherwise General Tolerance:	
X	±0.50
X.x	±0.30
X.xx	±0.20
X.xxx	±0.10
X°	±2°
X.x°	±1°

Title: Horizontal Pitch2.0 8Pin Battery Conn SMT CH= 2.76 18.4×3.20×H4.60mm			
Molde Code: GT-BTR20008-0460A-004A			
DRAWN	CHECKED	APPROVED	DATE
Jiang	Xia	Chen	2023.12.28



REV: A0 SHEET: 1/1