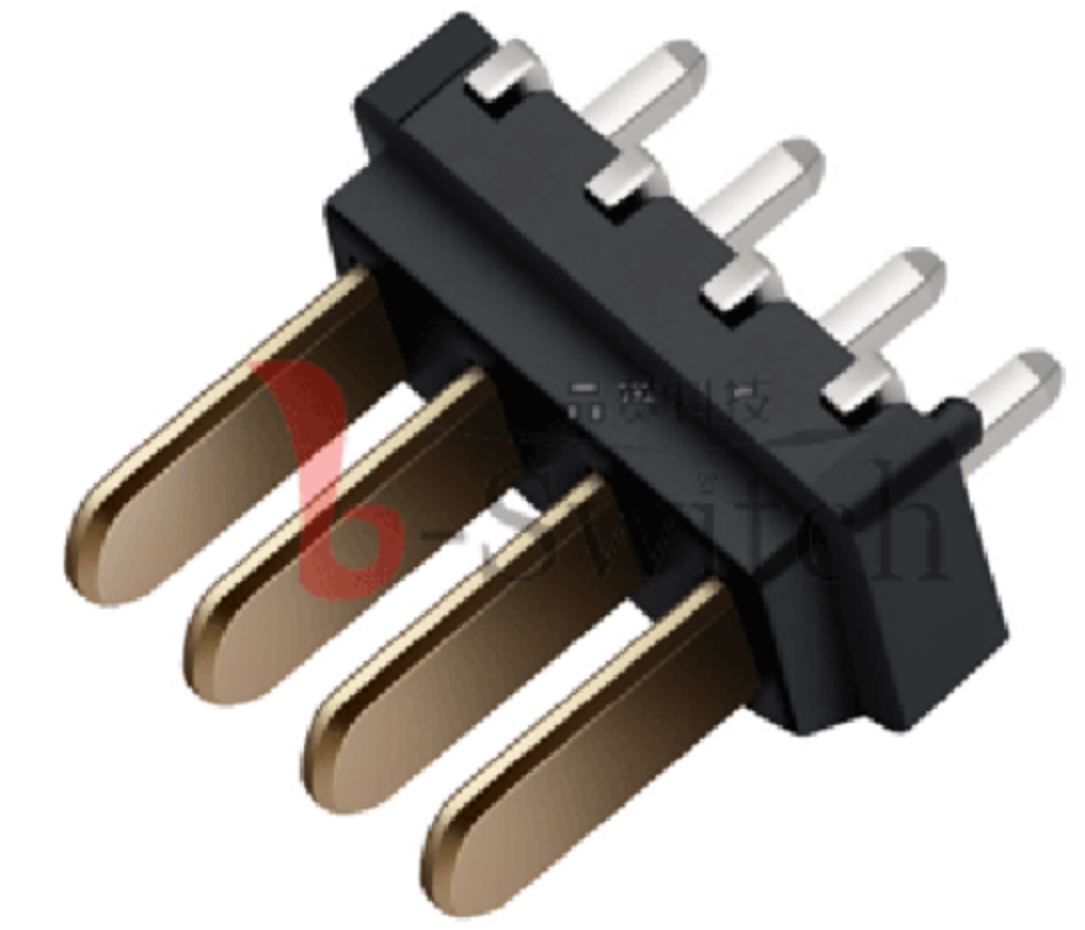
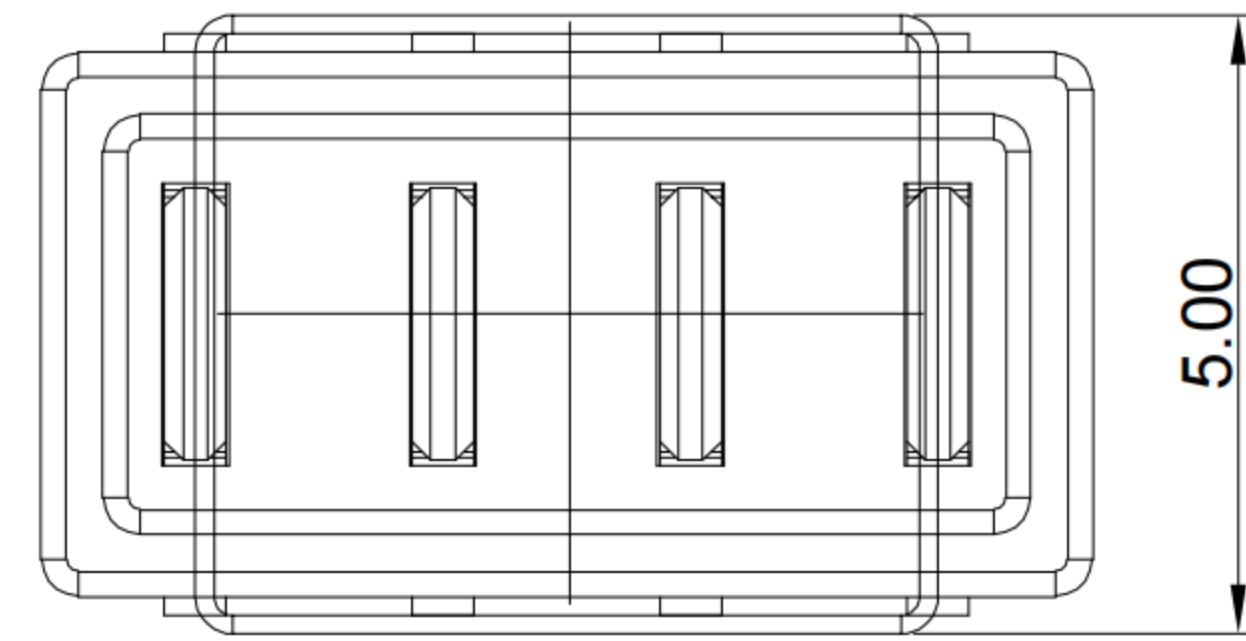
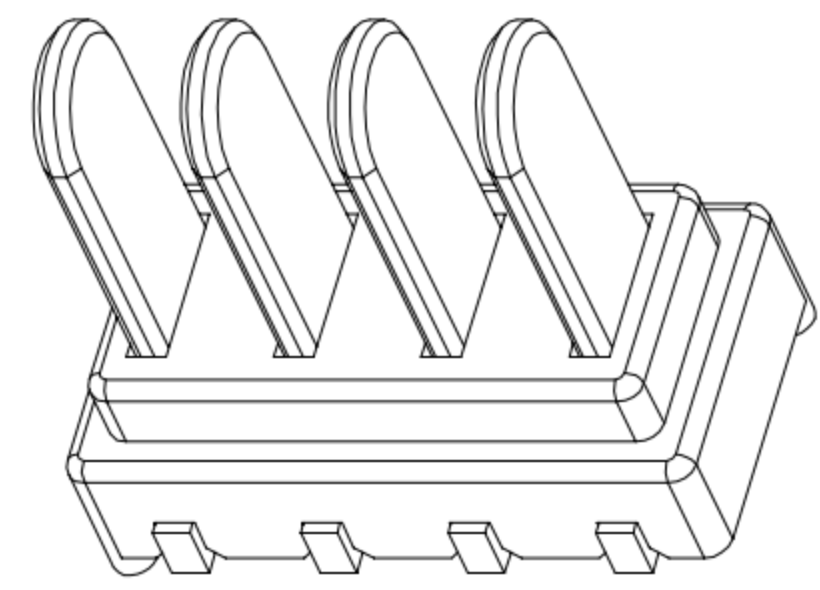
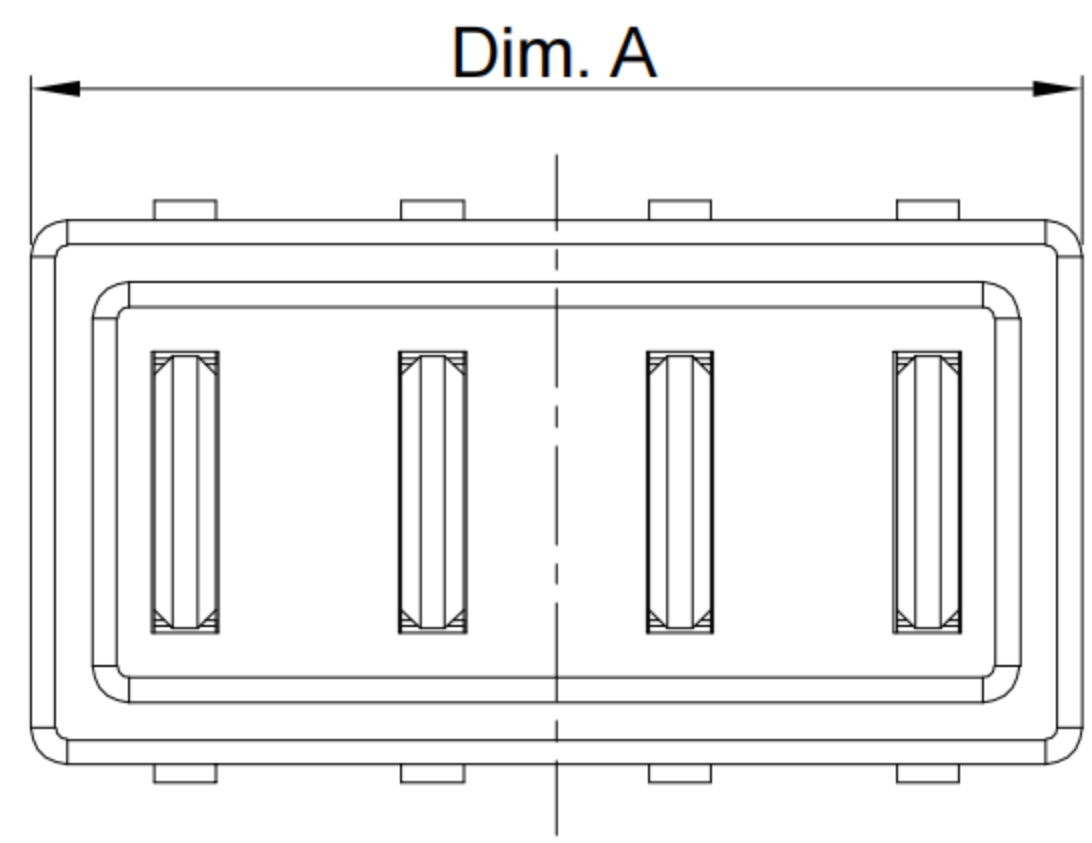
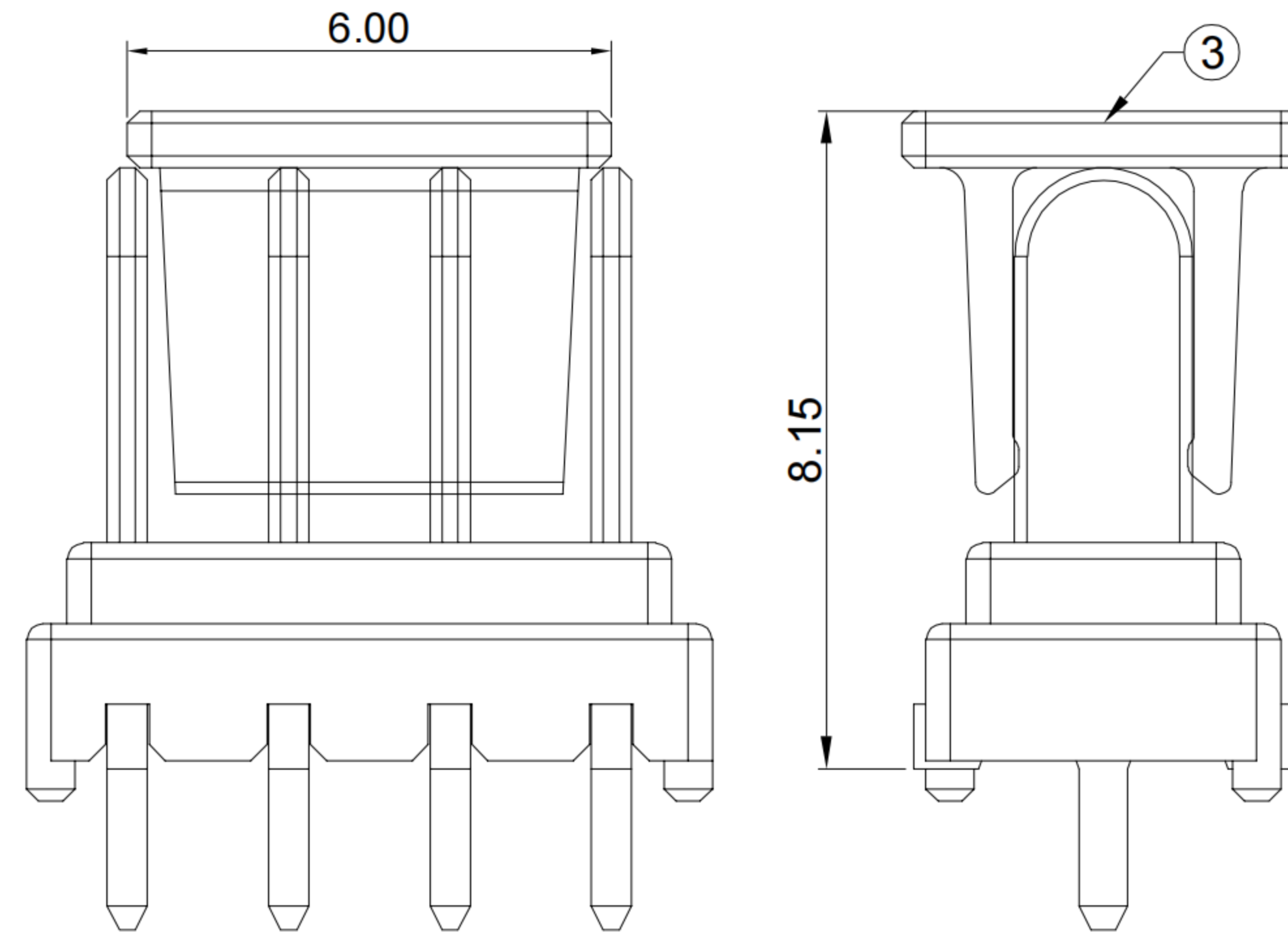
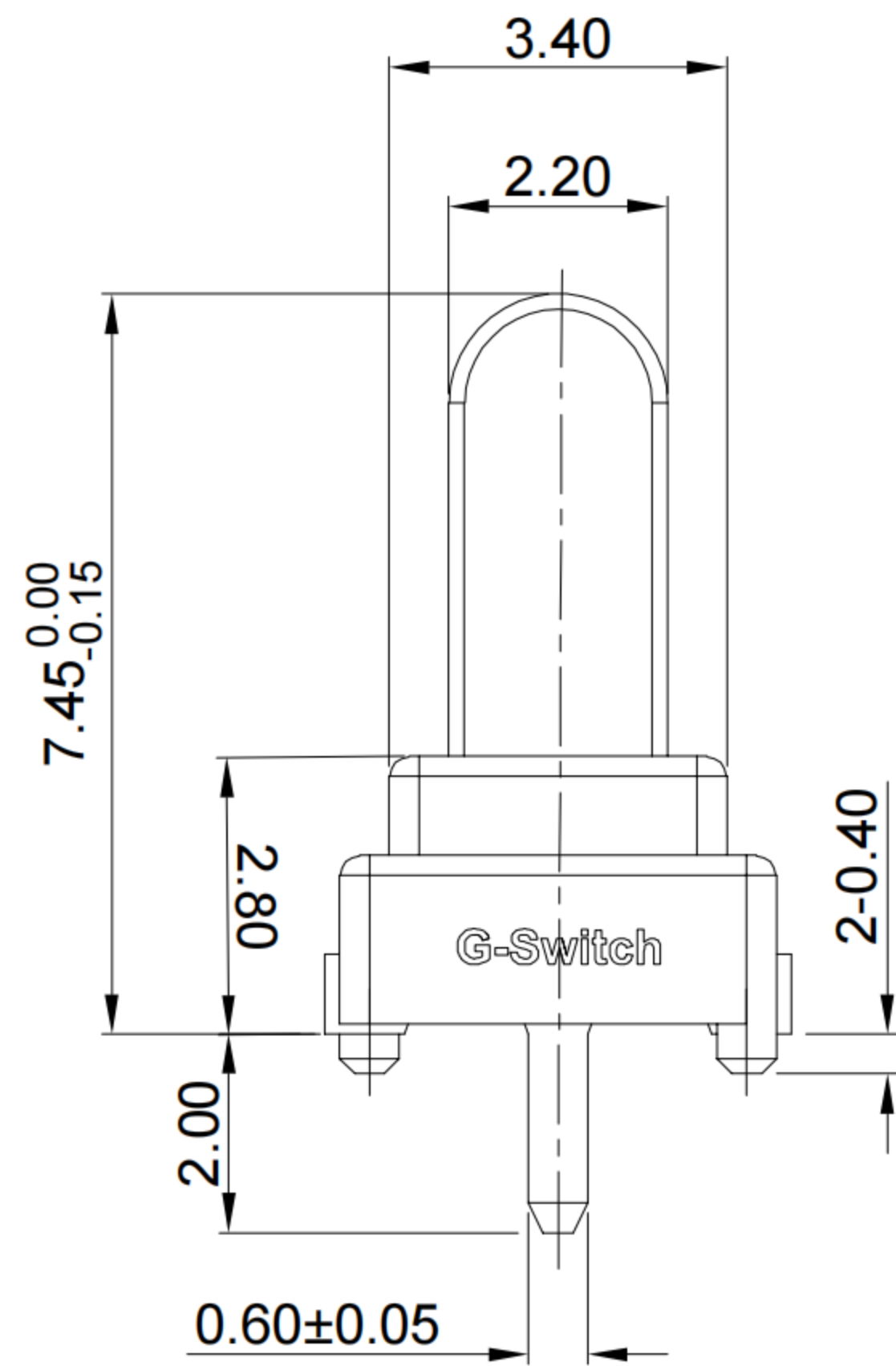
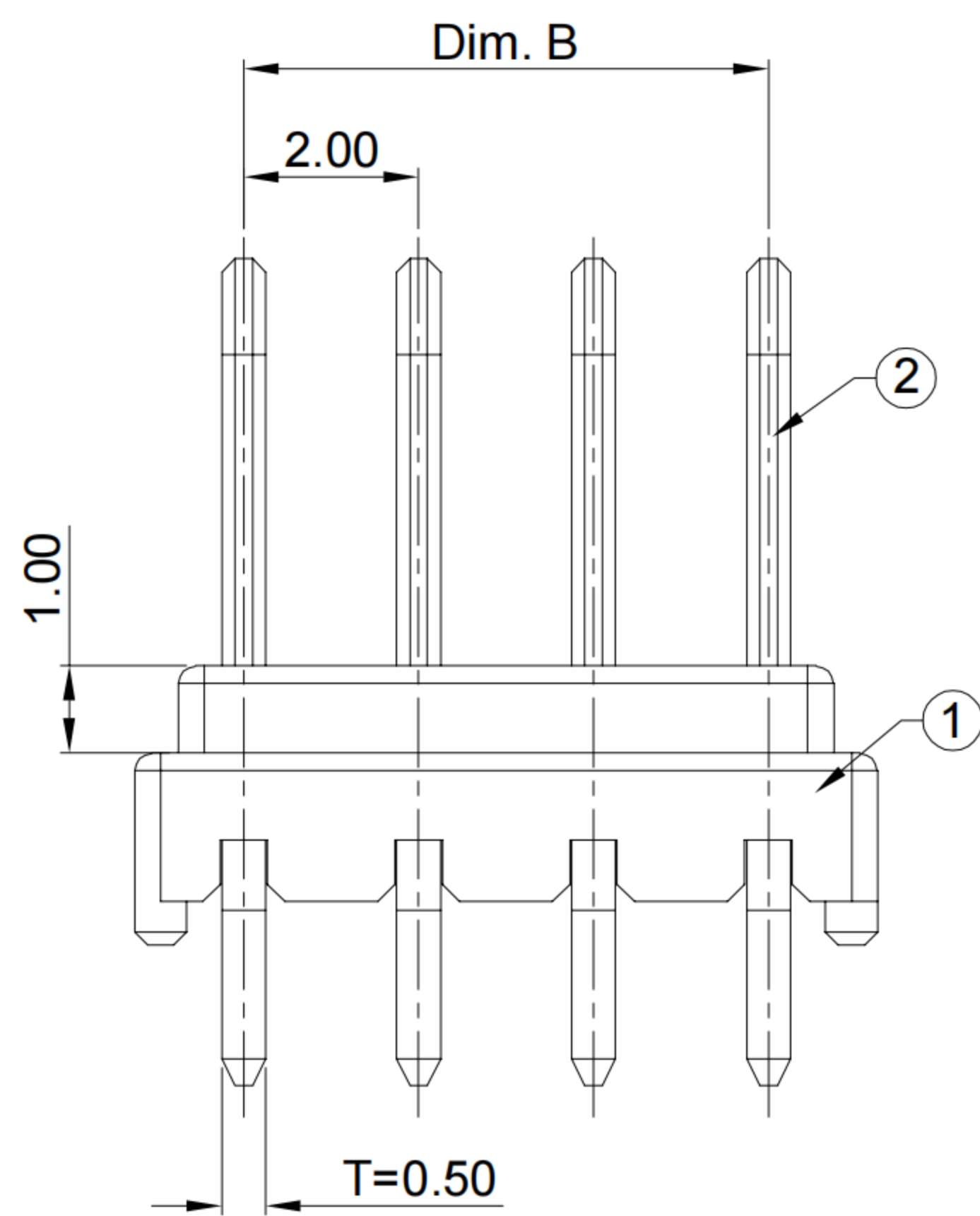


1



2



GT-BT P 200 XX 0280 A - 009A

G-Switch

Series
BT: Battery

Type
P: Plug

Pitch
200=2.00

Serial code

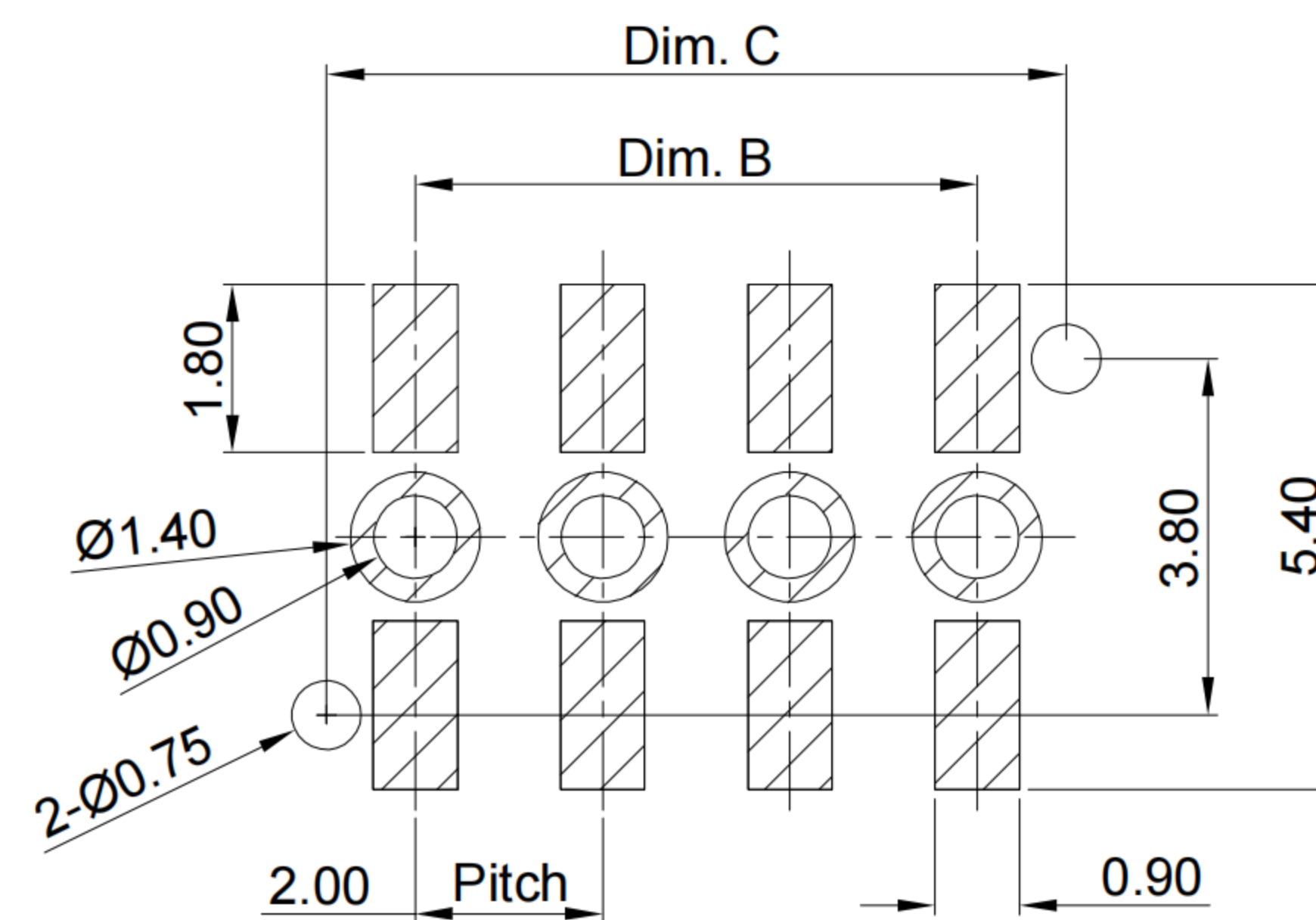
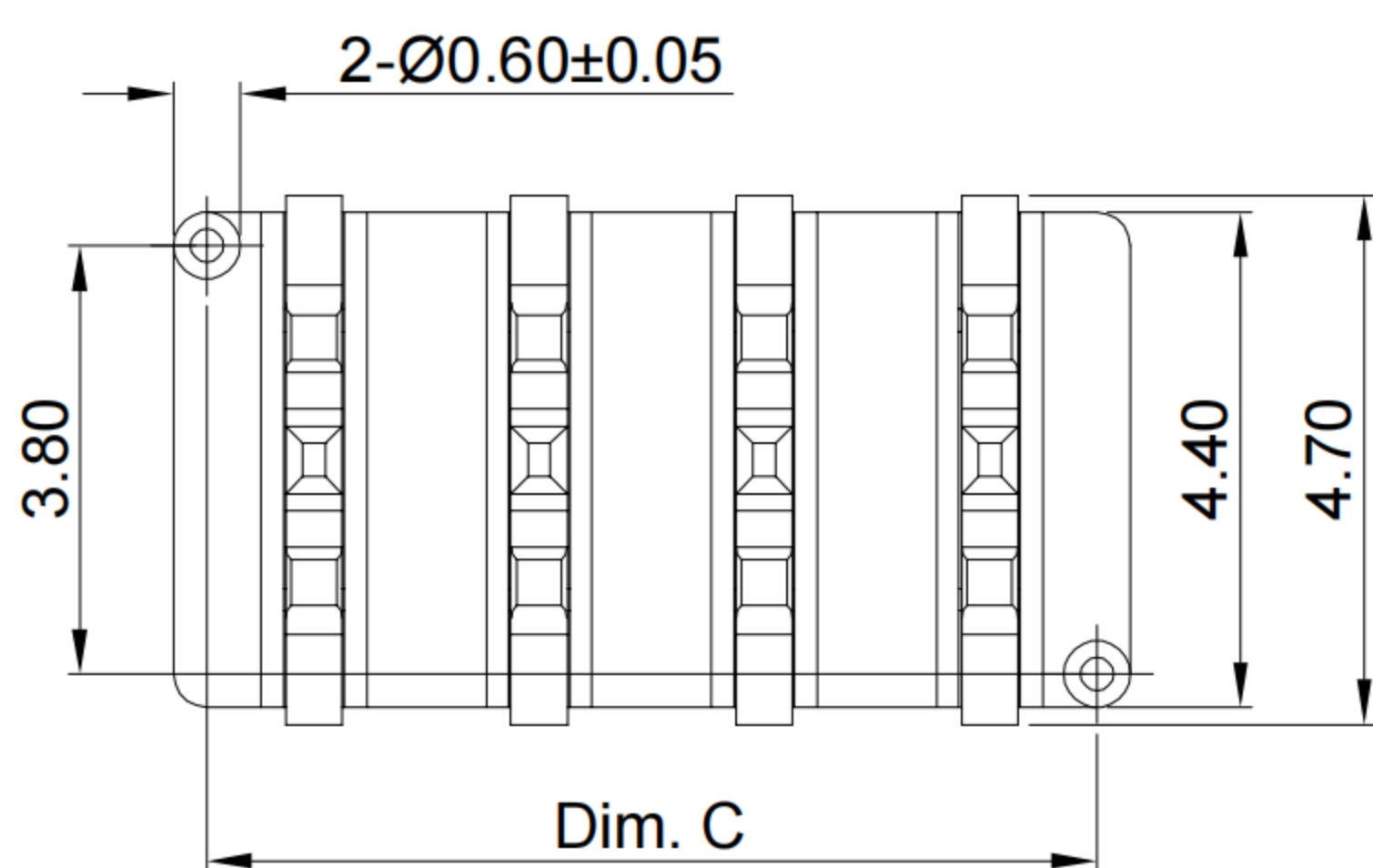
Detail
A:With column
B:No column

Height
0280=2.8

Pin Q' PY

02=2Pin 08=8Pin
03=3Pin 09=9Pin
04=4Pin 10=10Pin
05=5Pin 11=11Pin
06=6Pin 12=12Pin
07=7Pin

3



RECOMMENDED PCB LAYOUT
TOLERANCE:±0.05

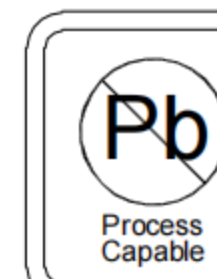
G-Switch Specification:

- 1.Current rating: 4A
- 2.Rated Voltage: 20V DC
- 3.Insulation resistance: 100MΩ min
- 4.Contact resistance: 30mΩ max
- 5.Dielectric strength: 500V AC for one minute
- 6.Durability: 10,000cycles
- 7.Operating temperature range: -40°C ~ +85°C

NO.	PART NAME	MATERIAL	REMARK
3	CAP	PA10T	BLACK
2	CONTACT	C2680	Au ON CONTACT AREA
1	HOUSING	PA10T	BLACK

Ordering Information:

Circuit	Dimensions(mm)			Circuit	Dimensions(mm)		
	A	B	C		A	B	C
02	4.50	2.00	3.90	07	14.50	12.00	13.90
03	6.50	4.00	5.90	08	16.50	14.00	15.90
04	8.50	6.00	7.90	09	18.50	16.00	17.90
05	10.50	8.00	9.90	10	20.50	18.00	19.90
06	12.50	10.00	11.90	11	22.50	20.00	21.90
				12	24.50	22.00	23.90



SCALE: 1:1 UNIT: mm

SIZE: A4

Unless otherwise
General Tolerance:

X ±0.50
X.x ±0.30
X.xx ±0.20
X.xxx ±0.10
X° ±2°

Title: Vertical Pitch2.0 Battery Conn
DIP A×4.4×H2.8mm

Molde Code: GT-BTP200XX-0280A-009A

DRAWN	CHECKED	APPROVED	DATE
Jiang	Xia	Chen	2023.12.28



REV: A0 SHEET: 1/1

5