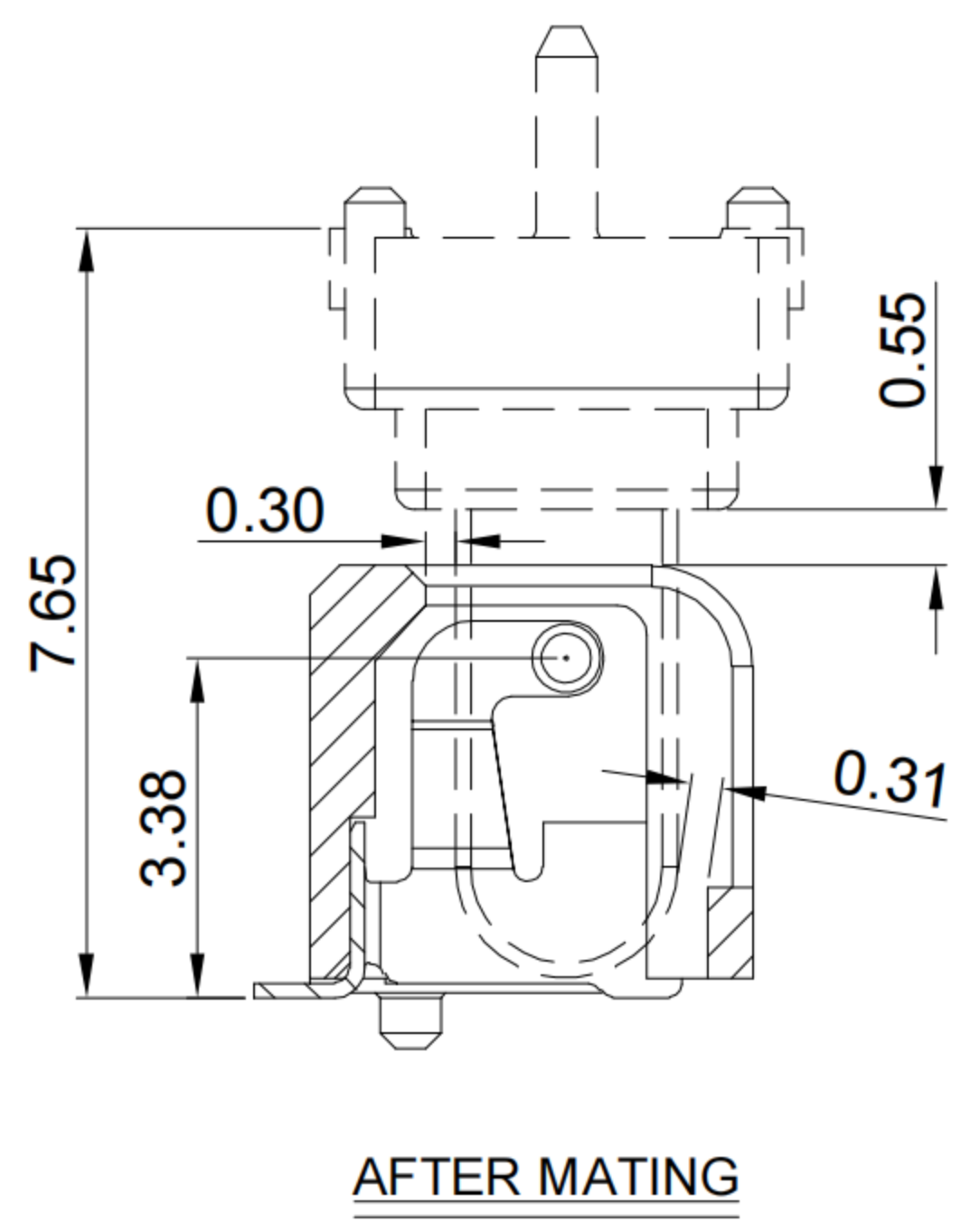
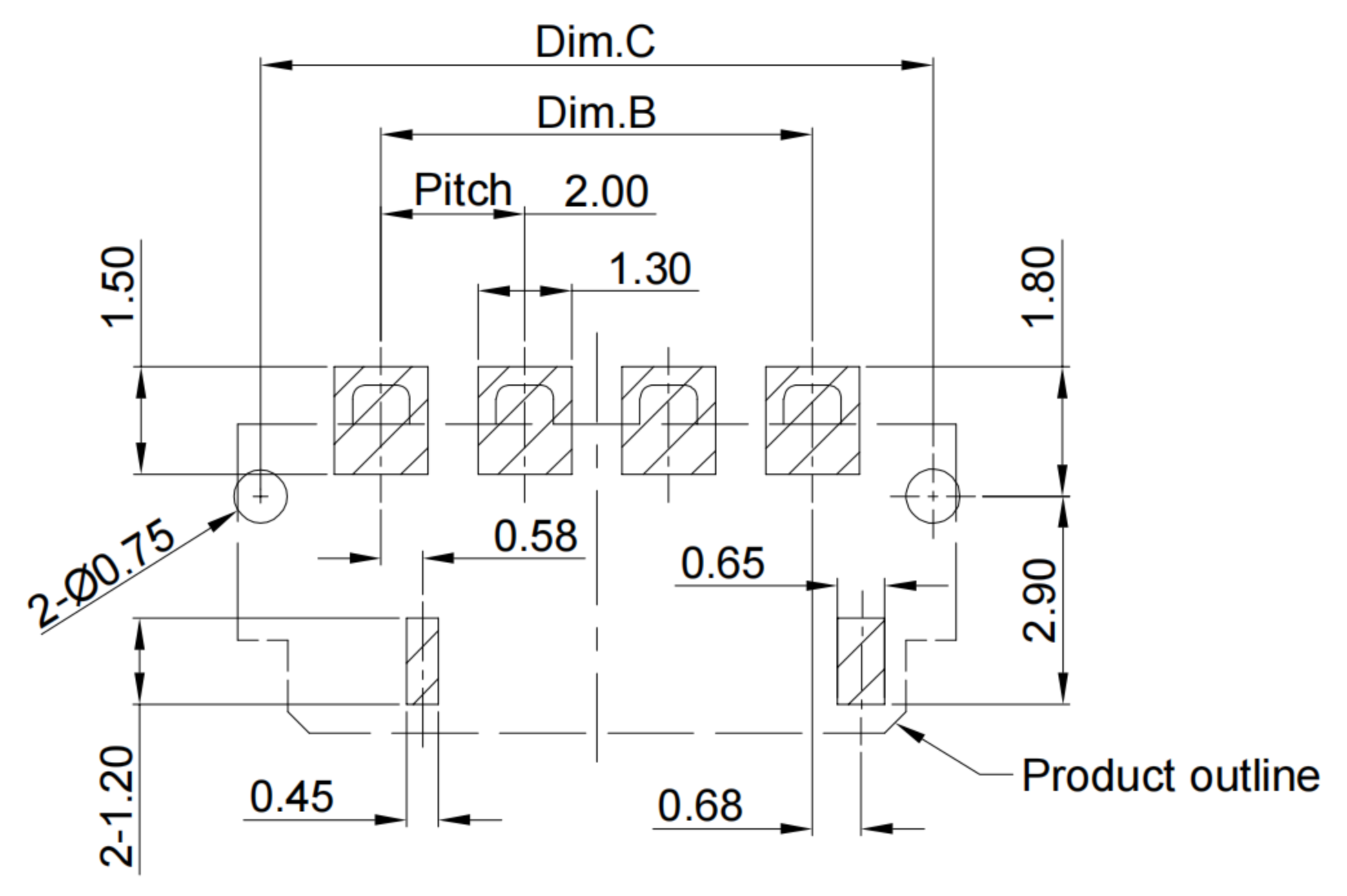
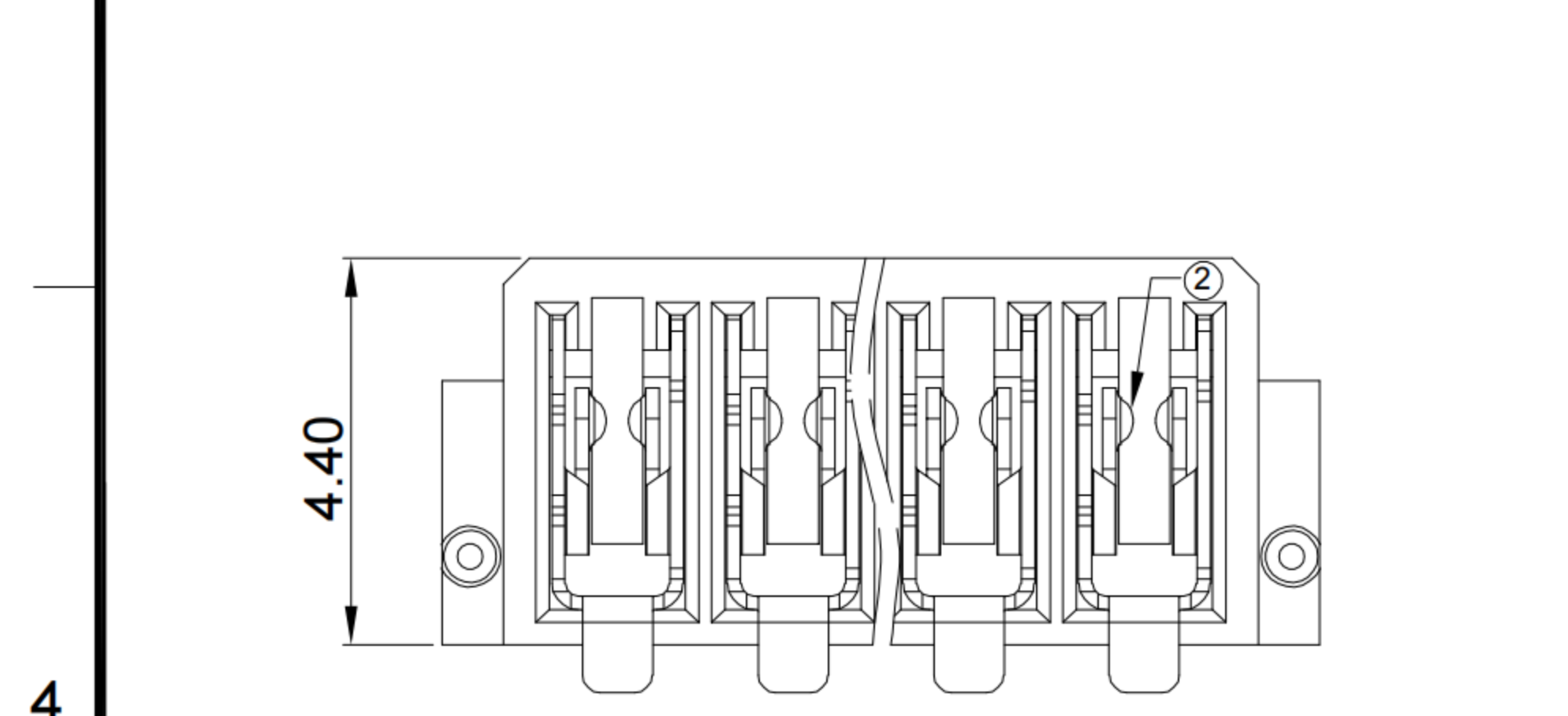
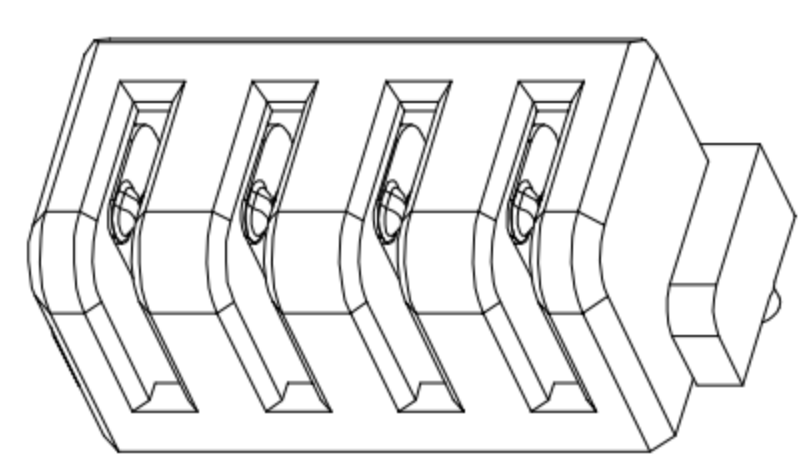
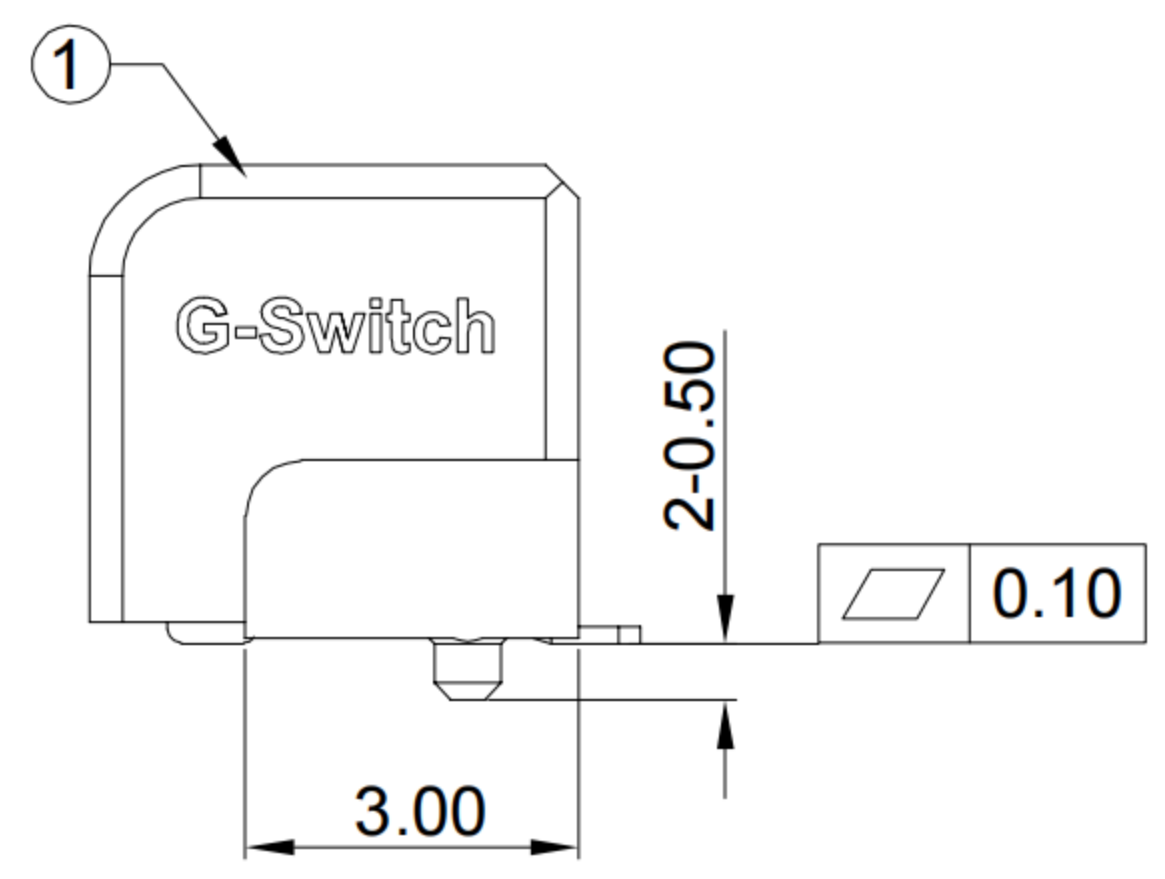
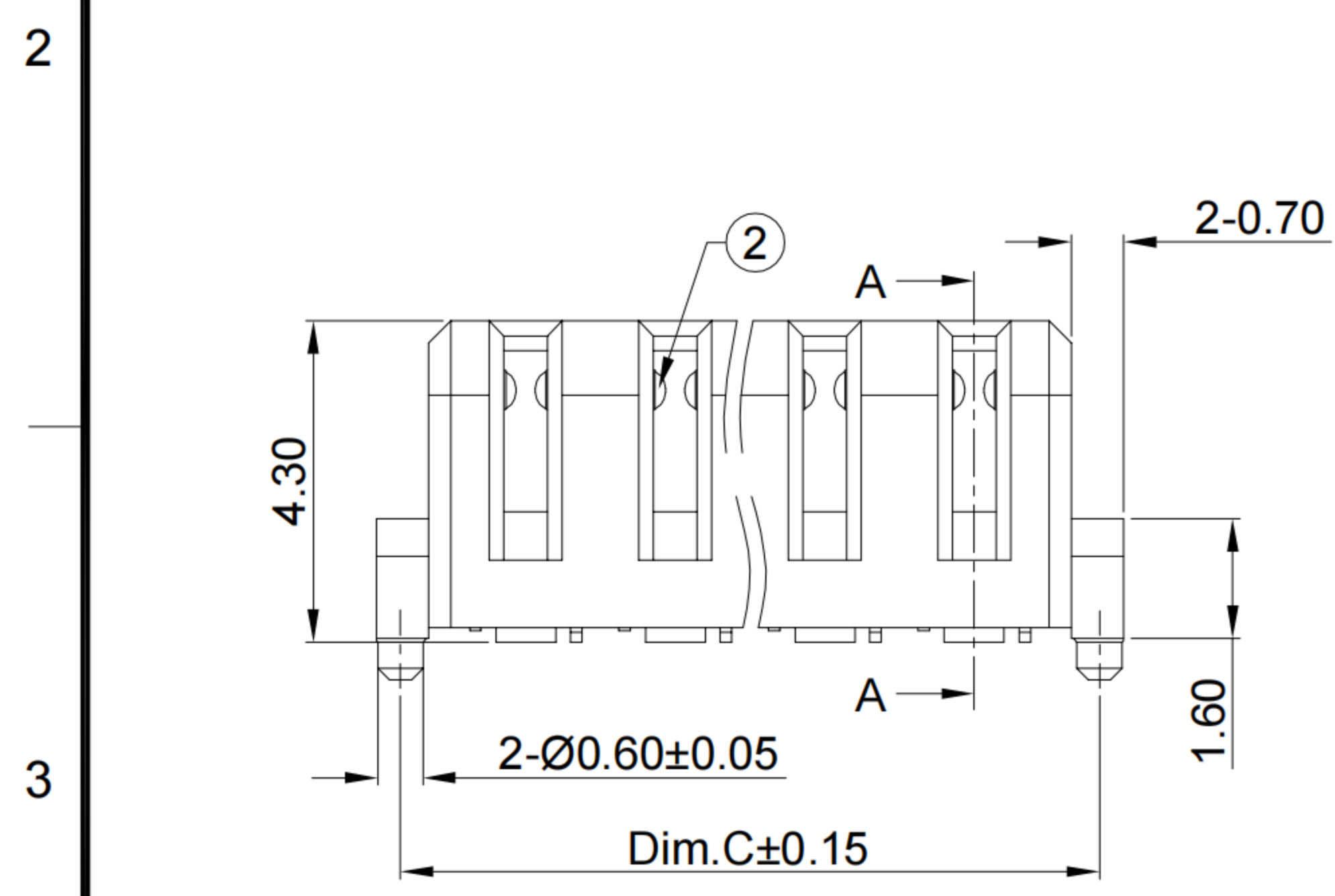


**GT-BT R 200 XX 0430 A - 003A**

**G-Switch**  
**Series**  
 BT: Battery  
**Type**  
 R: Receptacle  
**Pitch**  
 200=2.00  
**Serial code**  
**Detail**  
 A:With olumn  
 B:No olumn  
**Height**  
 0430=4.3  
**Pin Q'PY**  
 02=2Pin 08=8Pin  
 03=3Pin 09=9Pin  
 04=4Pin 10=10Pin  
 05=5Pin 11=11Pin  
 06=6Pin 12=12Pin  
 07=7Pin



**G-Switch Specification:**  
 1.Current rating: 4A  
 2.Rated Voltage: 20V DC  
 3.Insulation resistance: 100MΩ min  
 4.Contact resistance: 30mΩ max  
 5.Dielectric strength: 500V AC  
 6.Durability: 10,000cycles Min  
 7.Operating temperature range: -40°C ~ +85°C

**Ordering Information:**

Circuit	Dimensions(mm)		
	A	B	C
02	6.00	2.00	5.35
03	8.00	4.00	7.35
04	10.00	6.00	9.35
05	12.00	8.00	11.35
06	14.00	10.00	13.35
07	16.00	12.00	15.35
08	18.00	14.00	17.35
09	20.00	16.00	19.35
10	22.00	18.00	21.35
11	24.00	20.00	23.35
12	26.00	22.00	25.35

**RECOMMENDED PCB LAYOUT**  
 TOLERANCE:±0.05



SCALE: 1:1 UNIT: mm  
 SIZE: A4  
 Unless otherwise  
 General Tolerance:  
 X ±0.50  
 X.x ±0.30  
 X.xx ±0.20  
 X.xxx ±0.10  
 X° ±2°  
 X.x° ±1°

Title: Horizontal Pitch2.0 Battery Conn  
 SMT CH=3.38 A×4.40×H4.3mm  
 Molde Code: GT-BTR200XX-0430A-003A  
 DRAWN: Jiang  
 CHECKED: Xia  
 APPROVED: Chen  
 DATE: 2023.12.28



REV: A0 SHEET: 1/1