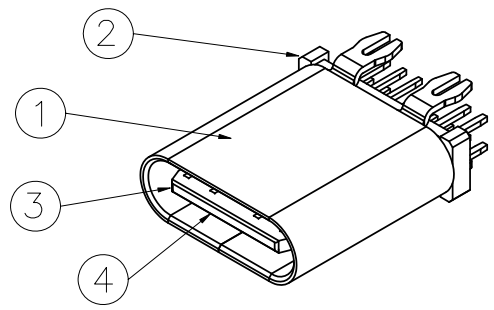
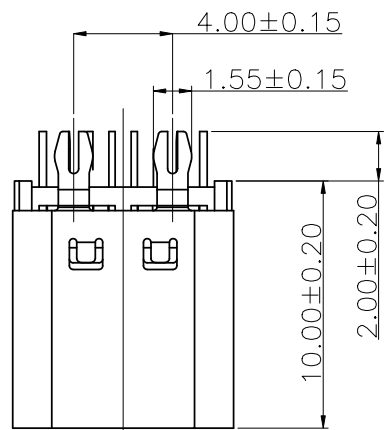
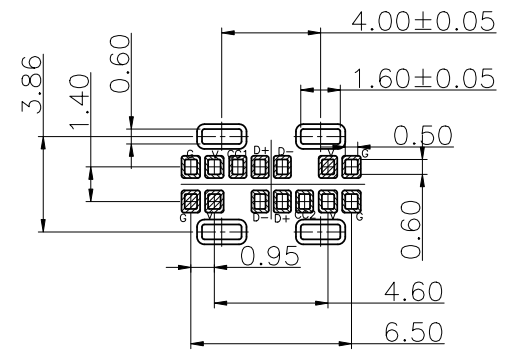
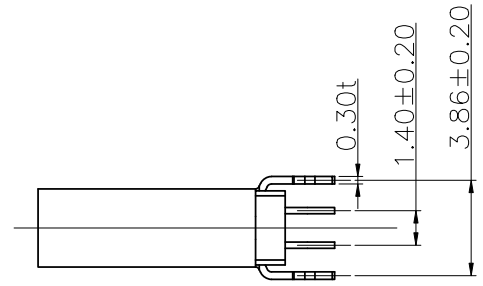
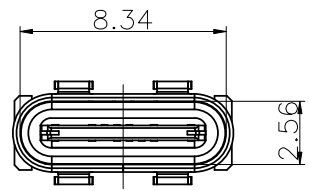


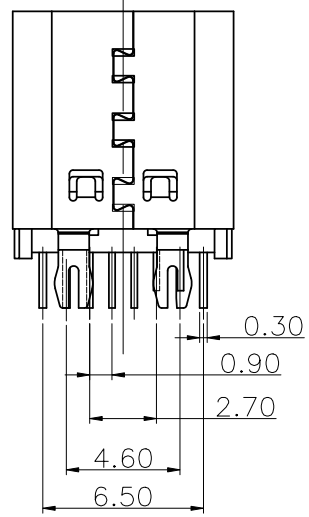
MAPX	MODIFICATION	DATE



- 1.ELECTRICAL:
CURRENT:5A
CONTACT RESISTANCE:40 MILLIOHMS MAX
DIELECTRIC WITHSTANDING VOLTAGE: 200V AC
INSULATION RESISTANCE:100 MEGOHMS MIN
- 2.MECHANICAL:
MATING FORCE:5-20N
WITHDRAWAL FORCE:8-20N
DURBILITY:10000 CYCLES
- 3.ENVIRONMENTAL:
TEMPERTURE RANGE -40℃~105℃
SALT TESTING:24 HOURS



RECOMMENDED P.C.B. LAYOUT
TOLERANCE UNSPECIFIED ±0.05mm



A1	QW	B12	QW
A4	YBS	B9	YBS
A5	CC	B8	SBZ
A6	NP1	B7	WE
A7	ML	B6	NP2
A8	SBU	B5	CC
A9	YBS	B4	YBS
A12	QW	B1	QW
FX	SIGNAL HUB	FX	SIGNAL HUB

产品图 PRODUCT CHART DWG 公差一览表 TOLERANCE UNLESS OTHERWISE		<h1 style="margin: 0;">深圳市精拓金电子有限公司</h1>							
X.	±0.30	X.	±5.°	单位	MM	制图	林属升	制图料号	918-418K2022Y40036
.X	±0.25	.X	±2.°	UNITS		DRAWING		PRODUCT PART NO.	
.XX	±0.15	.XX	±1.°	比例	1:1	审核	郭志富	产品名称	TYPE-C3.1母座立式10.0四鱼
.XXX	±0.10	.XXX	±0.5°	SCALE		CHKD		PRODUCT NO.	叉脚不锈钢外壳LCP黑胶14PINJ
				日期	2019.11.23	核准	黄国荣	角法	⊕
				DATE		APPD		VIEW	版本
								VER	A0