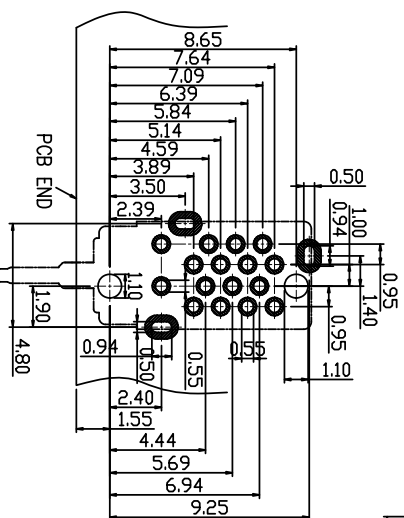
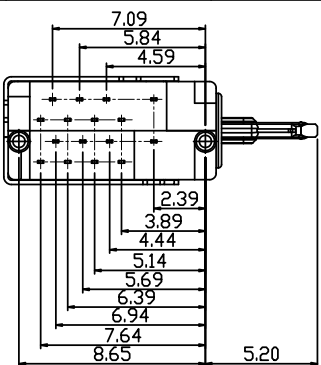
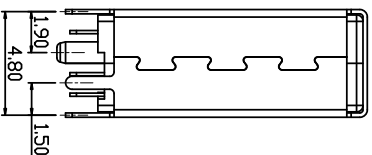
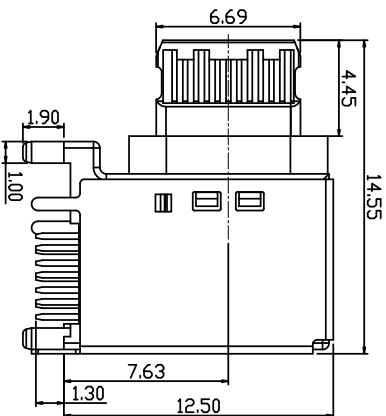
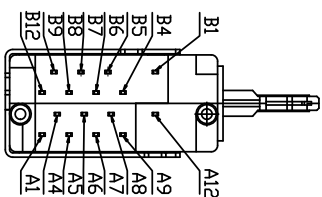
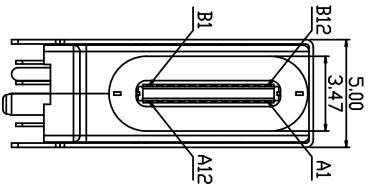
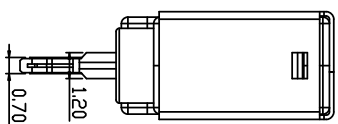


RoHS



RECOMMEND P.C.B LAYOUT (THICKNESS=1.0mm)
(COMPONENT SIDE) TOLERANCE±0.02

1	2	3	4	5	6	7	8	9	10	
MAPX	MODIFICATION					DRW	DATE			

- 备注:**
- 1.材料:
 - 1.1胶芯: LCP+30%G.F UL94V-0
 - 1.2端子: COPPER ALLOY;
 - 1.3外壳: SUS304, T=0.20mm; 表面镀镍100μ”
 - 1.4护板: 不锈钢, T=0.15mm;
 - 2.主要特性:
 - 2.1额定电流: 5A MIN FOR VBUS, 0.25A MIN FOR OTHER.
 - 2.2接触阻抗: 40mΩ MAX
 - 2.3绝缘阻抗: 100MΩ MIN 250V DC
 - 2.4耐压测试: 250V AC
 - 2.5沾锡性: 温度250±5℃, 时间5±0.5s
 - 2.6整体插入力: 2.00kgf MAX
 - 2.7使用寿命: 10000次
 - 2.8工作温度: -55℃~+85℃

Pin	Signal Name	Description	Pin	Signal Name	Description
A1	GND	Ground return	B12	GND	Ground return
A2	SSTN0	Positive half of first SuperSpeed TX differential pair	B11	SSTN0	Positive half of first SuperSpeed TX differential pair
A3	SSTN1	Negative half of first SuperSpeed TX differential pair	B10	SSTN1	Negative half of first SuperSpeed TX differential pair
A4	Vbus	Bus Power	B9	Vbus	Bus Power
A5	CC1	Configuration Channel	B8	SST2	Standard Use (SMB)
A6	Dp1	Positive half of the USB 2.0 differential pair-Position 1	B7	Dn2	Negative half of the USB 2.0 differential pair-Position 2
A7	Dn1	Negative half of the USB 2.0 differential pair-Position 1	B6	Dp2	Positive half of the USB 2.0 differential pair-Position 2
A8	SBU1	Standad Use (SMB)	B5	CC2	Configuration Channel
A9	Vbus	Bus Power	B4	Vbus	Bus Power
A10	SSTN2	Negative half of second SuperSpeed TX differential pair	B3	SSTN2	Negative half of second SuperSpeed TX differential pair
A11	SSTN2	Positive half of second SuperSpeed TX differential pair	B2	SSTN2	Positive half of second SuperSpeed TX differential pair
A12	GND	Ground return	B1	GND	Ground return

产品图
深 圳 市 精 拓 金 电 子 有 限 公 司
Shenzhen Jing Tuo Jin Electronics Co., Ltd.

公差一览表		制图		制图料号	
TOLERANCE UNLESS OTHERWISE	UNITS	DRAWING	L-S-S	PRODUCT PART NO.	918-518K2023D50011
X ±0.35	X	审核	G-2-F	产品名称	TYPE-C 1.4插接端子三脚插板不带焊脚0.4CR白胶壳有注 10P
X ±0.25	X	核准	黄国荣	角法	
XX ±0.20	XX	DATE	2021-03-10	版本	AO
XXX ±0.05	XXX	APPD		VER	