

I²C-Compatible (2-wire) Serial EEPROM 1-Mbit (131,072 x 8)

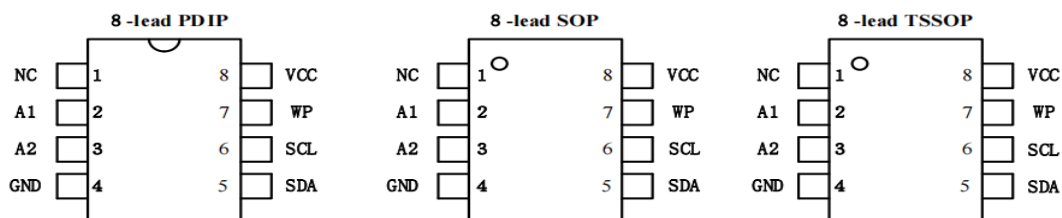
DATASHEET

Features

- Low voltage and standard voltage operation available
 - 1.7V ($V_{CC} = 1.7V - 5.5$)
 - 2.5V ($V_{CC} = 2.5V - 5.5$)
- Internally organized 131,072 x 8
- 2-wire serial interface
- Schmitt Triggers, filtered inputs for noise suppression
- Bidirectional data transfer protocol
- 400kHz (1.7V) and 1MHz (2.5V) compatibility
- Write Protect pin for hardware data protection
- 256-byte Page Write mode
 - Partial page writes allowed
- Random and Sequential Read modes
- (5ms max)
- High reliability
 - Endurance: 1,000,000 write cycles
 - Data retention: 40 years
- Green package options (Pb/Halide-free/RoHS Compliant)
 - 8-lead JEDEC SOIC, 8-lead EIAJ SOIC, 8-lead TSSOP, and 8-ball WLCSP
- Die sale options: wafer form and tape and reel available

Description

The AT24C1024 provides 1,048,576 bits of Serial Electrically Erasable and Programmable Read-Only Memory (EEPROM) organized as 131,072 words of eight bits each. The device's cascadable feature allows up to four devices to share a common 2-wire bus. The device is optimized for use in many industrial and commercial applications where low power and low voltage operation are essential. The devices are available in space-saving 8-lead JEDEC SOIC, 8-lead EIAJ SOIC, 8-lead TSSOP, and 8-ball DIP. In addition, the entire family is available in 1.7V and 2.5V (2.5V) versions.



24C1024 1M bits (131,072×8)

型号	封装	私印	工作电压	兼容电压
AT24C1024B-PU25	DIP8	24C1024B-25	1.7-5.5	
AT24C1024-10PI-2.7	DIP8	24C1024B	1.7-5.5	2.7V
AT24C1024BN-SH-T	SOP8	1024B	1.7-5.5	
AT24C1024BN-SH25-T	SOP8	1024B25	1.7-5.5	2.5V
AT24C1024B-TH-T	TSSOP8	1024	1.7-5.5	
AT24C1024B-TH25-T	TSSOP8	1024B25	1.7-5.5	2.5V

Pin Descriptions

Pin Name	Type	Functions
A1-A2	I	Address Inputs
SDA	I/O	Serial Data
SCL	I	Serial Clock Input
WP	I	Write Protect
GND	P	Ground
VCC	P	Power Supply

Table 1

Block Diagram

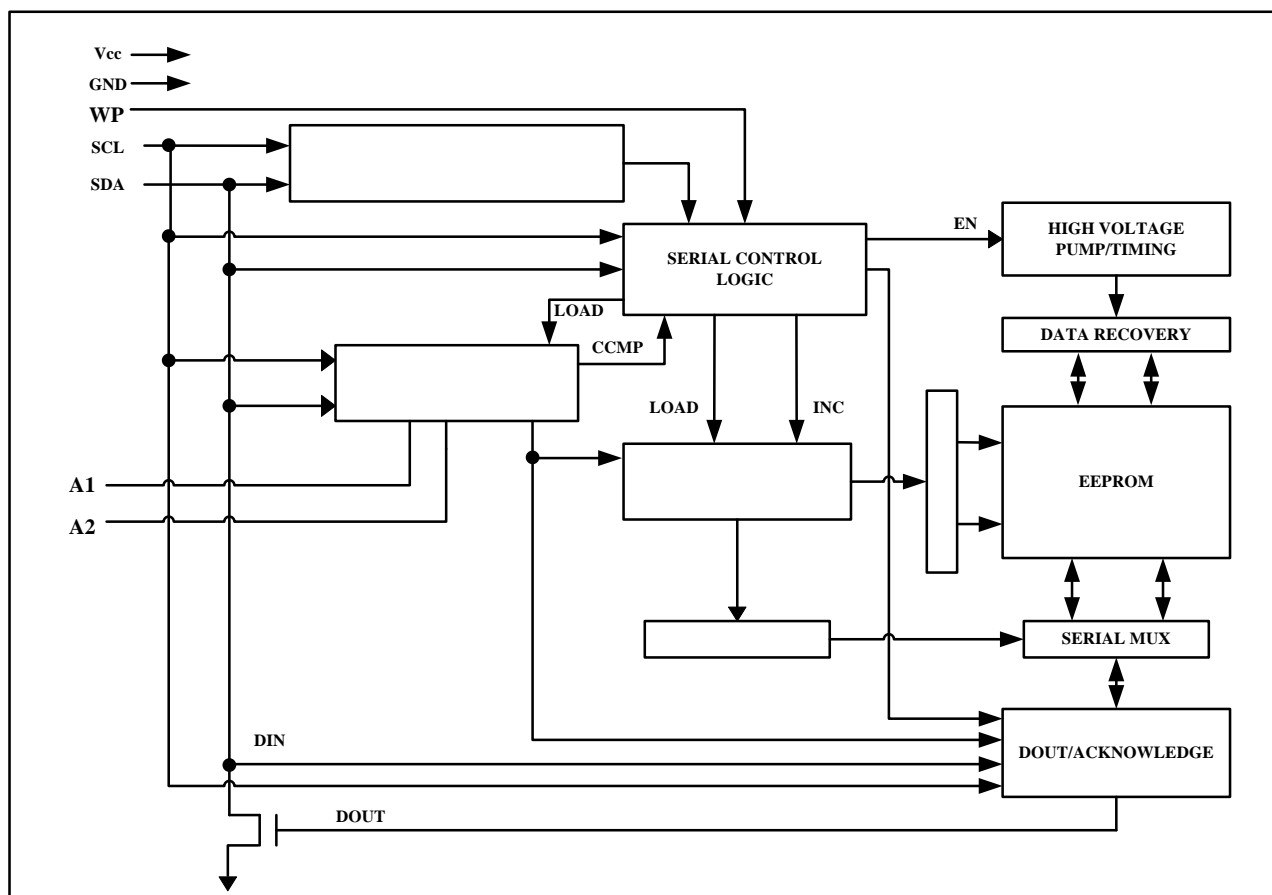


Figure 1

AT24C1024-G 1M bits (131,072×8)

Position	A	B	C
1	VCC	–	SDA
2	–	SCL	–
3	WP	–	A2
4	–	A1	–
5	NC	–	GND

Table 2

DEVICE/PAGE ADDRESSES (A2 and A1): The A2 and A1 pins are device address inputs that are hard wire for the AT24C1024. Four 1M devices may be addressed on a single bus system (device addressing is discussed in detail under the Device Addressing section).

SERIAL DATA (SDA): The SDA pin is bi-directional for serial data transfer. This pin is open-drain driven and may be wire-ORed with any number of other open-drain or open-collector devices.

SERIAL CLOCK (SCL): The SCL input is used to positive edge clock data into each EEPROM device and negative edge clock data out of each device.

WRITE PROTECT (WP): The 24C1024 has a Write Protect pin that provides hardware data protection. The Write Protect pin allows normal read/write operations when connected to ground (GND). When the Write Protection pin is connected to Vcc, the write protection feature is enabled and operates as shown in the following **Table 2**.

WP Pin Status	AT24C1024
At VCC	Full(1024K)Array
At GND	Normal Read/Write Operations

Table 3

Functional Description

1. Memory Organization

AT24C1024, 1M SERIAL EEPROM: Internally organized with 512 pages of 256 bytes each, the 1M requires a 17-bit data word address for random word addressing.

2. Device Operation

CLOCK and DATA TRANSITIONS: The SDA pin is normally pulled high with an external device. Data on the SDA pin may change only during SCL low time periods (see **Figure 2**). Data changes during SCL high periods will indicate a start or stop condition as defined below.

START CONDITION: A high-to-low transition of SDA with SCL high is a start condition which must precede any other command (see **Figure 3**).

STOP CONDITION: A low-to-high transition of SDA with SCL high is a stop condition. After a read sequence, the stop command will place the EEPROM in a standby power mode (see **Figure 3**).

ACKNOWLEDGE: All addresses and data words are serially transmitted to and from the EEPROM in 8-bit words. The EEPROM sends a "0" to acknowledge that it has received each word. This happens during the ninth clock cycle.

STANDBY MODE: The AT24C1024 features a low-power standby mode which is enabled: (a) upon power-up and (b) after the receipt of the STOP bit and the completion of any internal operations.

MEMORY RESET: After an interruption in protocol, power loss or system reset, any two-wire part can be reset by following these steps:

1. Clock up to 9 cycles.
2. Lock SDA high in each cycle while SCL is high.
3. Create a start condition and a stop condition.

AT24C1024 1M bits (131,072×8)

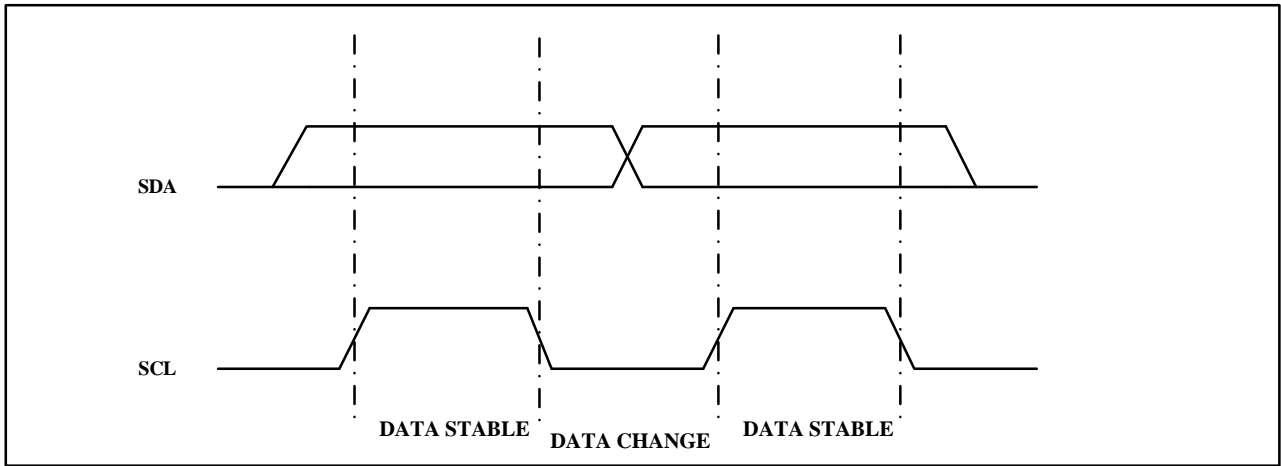


Figure 2. Data Validity

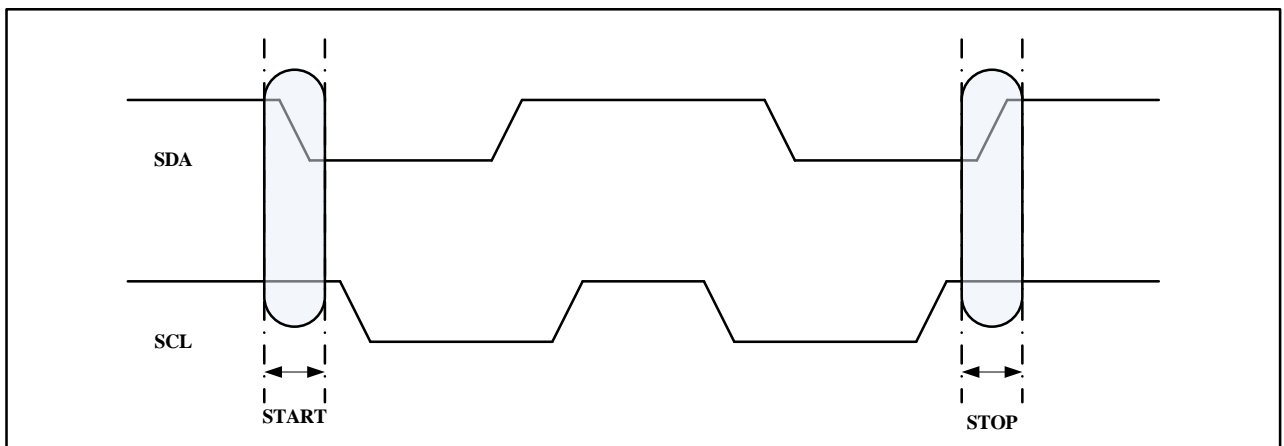


Figure 3. Start and Stop Definition

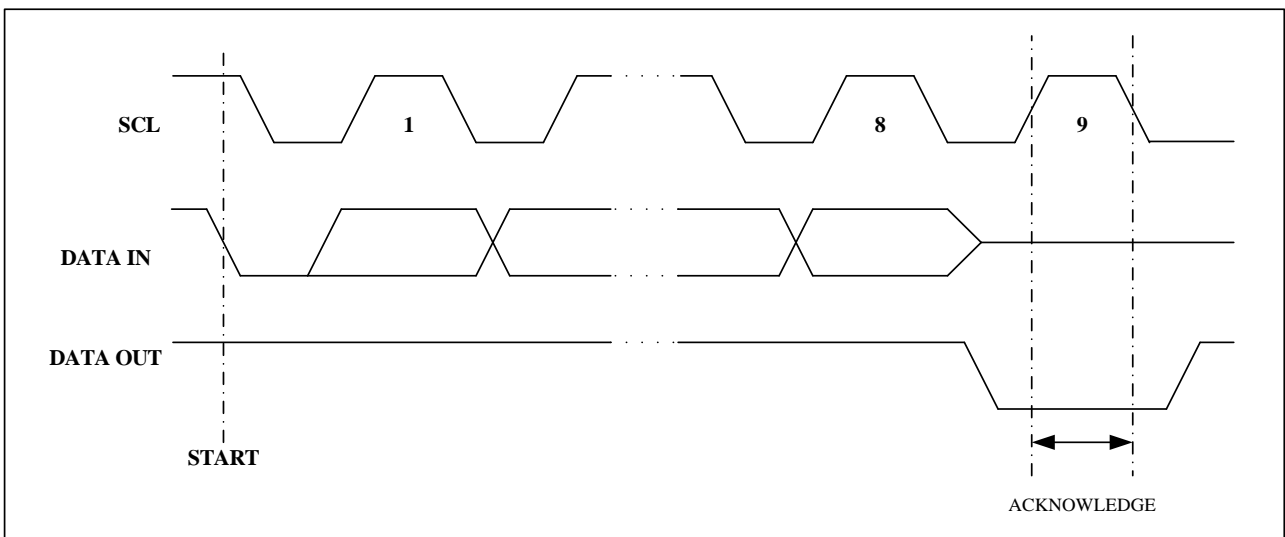


Figure 4. Output Acknowledge

AT24C1024 1M bits (131,072×8)

3. Device Addressing

The 1M EEPROM devices all require an 8-bit device address word following a start condition to enable the chip for a read or write operation (see **Figure 5**)

The device address word consists of a mandatory "1", "0" sequence for the first four most significant bits as shown. This is common to all the Serial EEPROM devices.

The 1M EEPROM uses A2 and A1 device address bits and one word address bit to allow as much as four devices on the same bus. These 2 device address bits must be compared to their corresponding hardwired input pins. The A2 and A1 pins use an internal proprietary circuit that biases them to a logic low condition if the pins are allowed to float.

The eighth bit of the device address is the read/write operation select bit. A read operation is initiated if this bit is high and a write operation is initiated if this bit is low.

Upon a compare of the device address, the EEPROM will output a "0". If a compare is not made, the chip will return to a standby state.

MSB				LSB			
1	0	1	0	A2	A1	B16	R/W
B15	B14	B13	B12	B11	B10	B9	B8
B7	B6	B5	B4	B3	B2	B1	B0

Figure 5. Device Address and two 8-bit data word address

DATA SECURITY: The AT24C1024 has a hardware data protection scheme that allows the user to write protect the entire memory when the WP pin is at VCC.

AT24C1024 1M bits (131,072×8)

4. Write Operations

BYTE WRITE: A write operation requires two 8-bit data word address following the device address word and acknowledgment. Upon receipt of this address, the EEPROM will again respond with a "0" and then clock in the first 8-bit data word. Following receipt of the 8-bit data word, the EEPROM will output a "0" and the addressing device, such as a microcontroller, must terminate the write sequence with a stop condition. At this time the EEPROM enters an internally timed write cycle, t_{WR} , to the nonvolatile memory. All inputs are disabled during this write cycle and the EEPROM will not respond until the write is complete (see **Figure 6**).

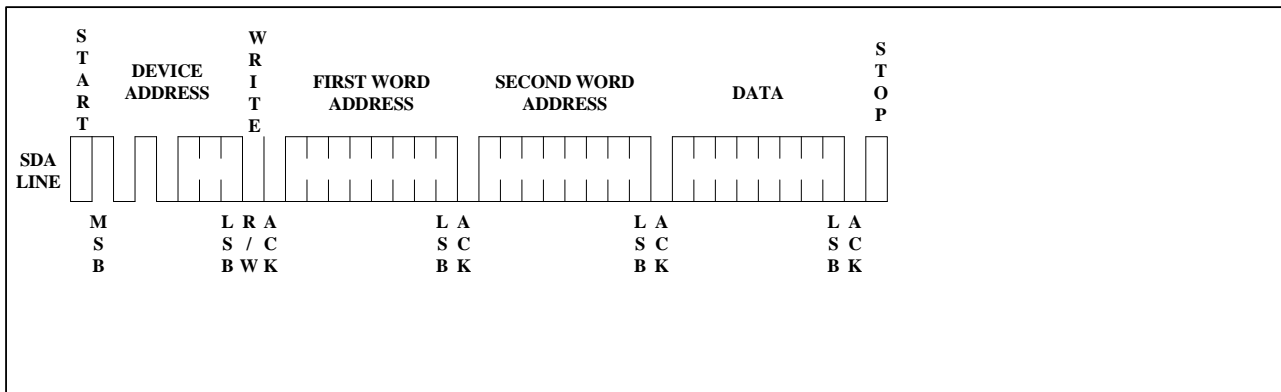


Figure 6. Byte Write

PAGE WRITE: The Page Write mode allows up to 256 bytes to be written in a single Write cycle. A page write is initiated the same as a byte write, but the microcontroller does not send a stop condition after the first data word is clocked in. Instead, after the EEPROM acknowledges receipt of the first data word, the microcontroller can transmit up to 255 more data words. The EEPROM will respond with a "0" after each data word received. The microcontroller must terminate the page write sequence with a stop condition (see **Figure 7**).

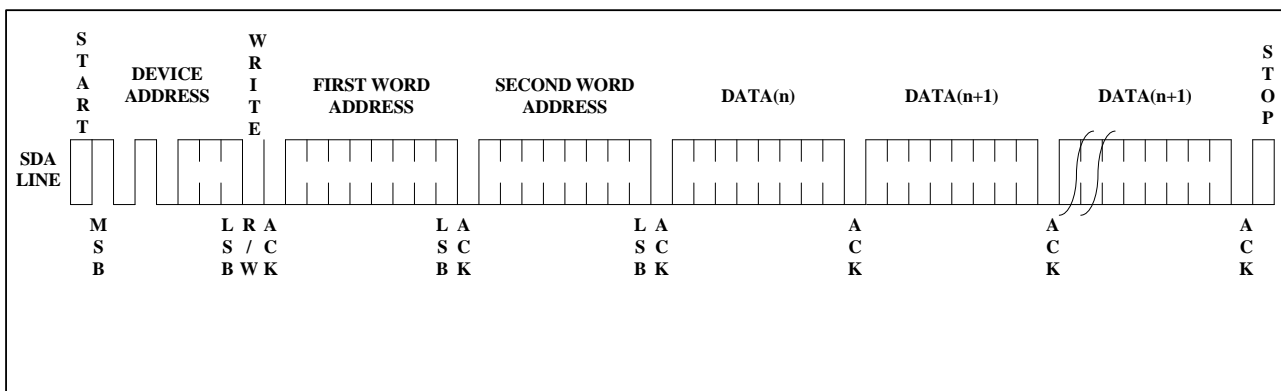


Figure 7. Page Write

The data word address lower eight bits are internally incremented following the receipt of each data word. The higher data word address bits are not incremented, retaining the memory page row location. When the word address, internally generated, reaches the page boundary, the following byte is placed at the beginning of the same page. If more than 256 data words are transmitted to the EEPROM, the data word address will "roll over" and previous data will be overwritten.

WRITE IDENTIFICATION PAGE: The Identification Page (256 bytes) is an additional page which can be written and (later) permanently locked in Read-only mode. It is written by issuing the Write Identification Page instruction. This instruction uses the same protocol and format as Page Write (into memory array), except for the following differences:

- Device type identifier = 1011b
- MSB address bits B16/B8 are don't care except for address bit B10 which must be "0".
LSB address bits B7/B0 define the byte address inside the Identification page.

AT24C1024 1M bits (131,072×8)

If the Identification page is locked, the data bytes transferred during the Write Identification Page instruction are not acknowledged (NoAck).

ACKNOWLEDGE POLLING: Once the internally timed write cycle has started and the EEPROM inputs are disabled, acknowledge polling can be initiated. This involves sending a start condition followed by the device address word. The read/write bit is representative of the operation desired. Only if the internal write cycle has completed will the EEPROM respond with a "0", allowing the read or write sequence to continue.

AT24C1024 1M bits (131,072×8)

5. Read Operations

Read operations are initiated the same way as write operations with the exception that the read/write select bit in the device address word is set to "1". There are three read operations: current address read, random address read and sequential read.

CURRENT ADDRESS READ:

The internal data word address counter maintains the last address accessed during the last read or write operation, incremented by one. This address stays valid between operations as long as the chip power is maintained. The address "roll over" during read is from the last byte of the last memory page to the first byte of the first page. The address "roll over" during write is from the last byte of the current page to the first byte of the same page. Once the device address with the read/write select bit set to "1" is clocked in and acknowledged by the EEPROM, the current address data word is serially clocked out. The microcontroller does not respond with an input "0" but does generate a following stop condition (see **Figure 8**).

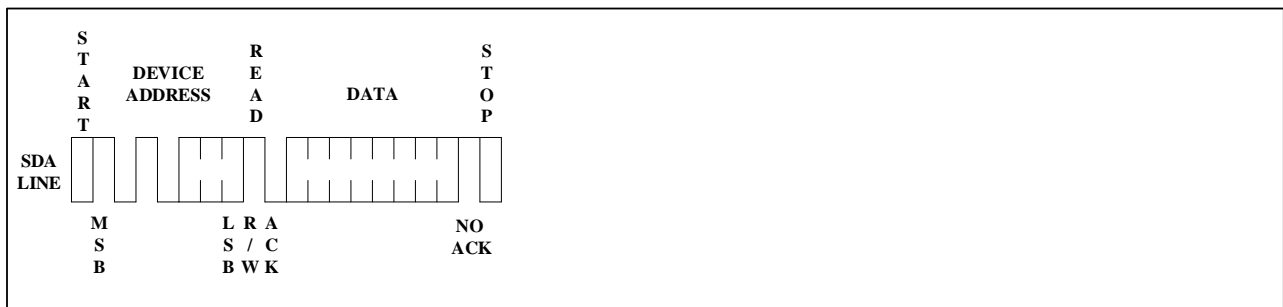


Figure 8. Current Address Read

RANDOM READ:

A random read requires a "dummy" byte write sequence to load in the data word address. Once the device address word and data word address are clocked in and acknowledged by the EEPROM, the microcontroller must generate another start condition. The microcontroller now initiates a current address read by sending a device address with the read/write select bit high. The EEPROM acknowledges the device address and serially clocks out the data word. The microcontroller does not respond with a "0" but does generate a following stop condition (see **Figure 9**).

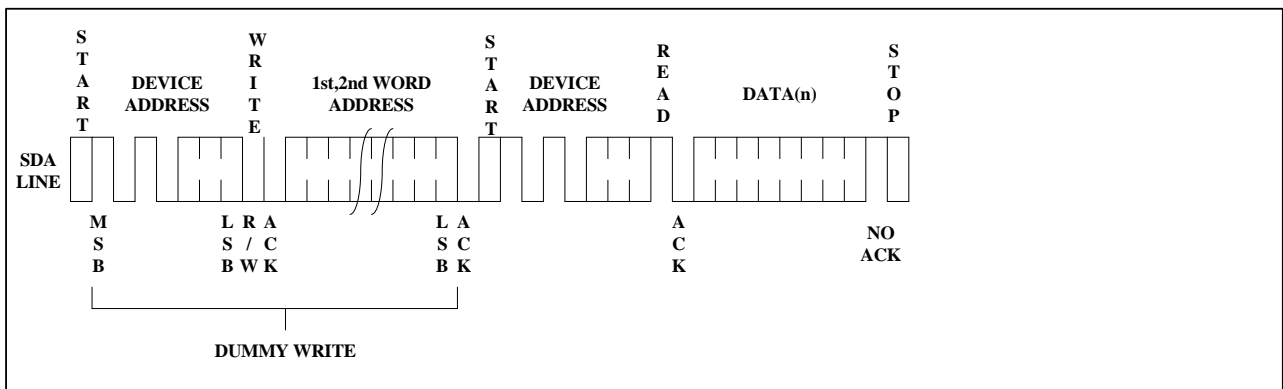


Figure 9. Random Read

AT24C1024 1M bits (131,072×8)

SEQUENTIAL READ: Sequential reads are initiated by either a current address read or a random address read. After the microcontroller receives a data word, it responds with an acknowledge. As long as the EEPROM receives an acknowledge, it will continue to increment the data word address and serially clock out sequential data words. When the memory address limit is reached, the data word address will "roll over" and the sequential read will continue. The sequential read operation is terminated when the microcontroller does not respond with a "0" but does generate a following stop condition (see **Figure 10**).

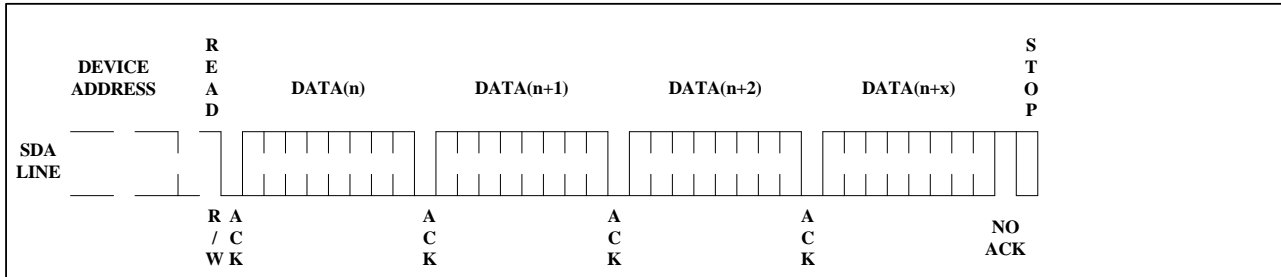


Figure 10. Sequential Read

READ IDENTIFICATION PAGE: The Identification Page (256 bytes) is an additional page which can be written and (later) permanently locked in Read-only mode.

The Identification Page can be read by issuing an Read Identification Page instruction. This instruction uses the same protocol and format as the Random Address Read (from memory array) with device type identifier defined as 1011b. The MSB address bits B16/B8 are don't care, the LSB address bits B7/B0 define the byte address inside the Identification Page. The number of bytes to read in the ID page must not exceed the page boundary (e.g.: when reading the Identification Page from location 10d, the number of bytes should be less than or equal to 246, as the ID page boundary is 256 bytes)

LOCK IDENTIFICATION PAGE: The Lock Identification Page instruction (Lock ID) permanently locks the Identification page in Read-only mode. The Lock ID instruction is similar to Byte Write (into memory array) with the following specific conditions:

Device type identifier = 1011b

Address bit B10 must be '1'; all other address bits are don't care

The data byte must be equal to the binary value xxxx xx1x, where x is don't care

AT24C1024 1M bits (131,072×8)

Electrical Characteristics

Absolute Maximum Stress Ratings:

- DC Supply Voltage -0.3V to +6.5V
- Input / Output Voltage GND-0.3V to VCC+0.3V
- Storage Temperature -65°C to +150°C
- Electrostatic pulse (Human Body model) 8000V

Comments:

Stresses above those listed under "Absolute Maximum Ratings" may cause permanent damage to this device. These are stress ratings only. Functional operation of this device at these or any other conditions above those indicated in the operational sections of this specification is not implied or intended. Exposure to the absolute maximum rating conditions for extended periods may affect device reliability.

DC Electrical Characteristics

Applicable over recommended operating range from (unless otherwise noted):

Parameter	Symbol	Min	Typ	Max	Unit	Condition
Supply Voltage	VCC1	1.7	-	5.5	V	-
Supply Current VCC=5.0V	ICC1	-	0.26	0.5	mA	READ at 400KHZ
Supply Current VCC=5.0V	ICC2	-	0.28	0.5	mA	WRITE at 400KHZ
Supply Current VCC=5.0V	ISB1	-	0.03	0.5	μA	VIN=VCC or VSS
Input Leakage Current	IL1	-	0.10	1.0	μA	VIN=VCC or VSS
Output Leakage Current	ILO	-	0.05	1.0	μA	VOUT=VCC or VSS
Input Low Level	VIL1	-0.3	-	VCC×0.3	V	VCC=1.7V to 5.5V
Input High Level	VIH1	VCC×0.7	-	VCC+0.3	V	VCC=1.7V to 5.5V
Output Low Level VCC=1.7V	VOL1	-	-	0.2	V	IOL=2.1mA
Output Low Level VCC=5.0V	VOL2	-	-	0.4	V	IOL=3.0mA

Table 4

Pin Capacitance

Applicable over recommended operating range from TA = 25°C, f =1MHz, VCC = +5.0V

Parameter	Symbol	Min	Typ	Max	Unit	Condition
Input/Output Capacitance(SDA)	C _{IO}	-	-	8	pF	V _{IO} =0V
Input Capacitance(A1,A2,SCL)	C _{IN}	-	-	6	pF	V _{IN} =0V

Table 5

AT24C1024 1M bits (131,072×8)

AC Electrical Characteristics

Applicable over recommended operating range from (unless otherwise noted):

Parameter	Symbol	1.7V ≤ VCC < 2.5V			2.5V ≤ VCC < 5.5V			Units
		Min	Typ	Max	Min	Typ	Max	
AT24C1024	TA = -40°C to +85°C	VCC = +1.7V to +5.5V CL=100 pF						
AT24C1024E1	TA = -40°C to +105°C							
AT24C1024E0	TA = -40°C to +125°C							
Clock Frequency, SCL	fSCL	-	-	400	-	-	1000	kHZ
Clock Pulse Width Low	tLOW	1.3	-	-	0.5	-	-	μs
Clock Pulse Width High	tHIGH	0.6	-	-	0.26	-	-	μs
Noise Suppression Time	tl	-	-	50	-	-	50	ns
Clock Low to Data Out Valid	tAA	-	-	0.9	-	-	0.45	μs
Time the bus must be free before a new transmission can start	tBUF	1.3	-	-	0.5	-	-	μs
Start Hold Time	tHD:STA	0.6	-	-	0.25	-	-	μs
Start Setup Time	tSU:STA	0.6	-	-	0.25	-	-	μs
Data In Hold Time	tHD:DAT	0	-	-	0	-	-	μs
Data in Setup Time	tSU:DAT	100	-	-	100	-	-	ns
Input Rise Time(1)	tR	-	-	0.3	-	-	0.12	μs
Input Fall Time(1)	tF	-	-	0.3	-	-	0.12	μs
Stop Setup Time	tSu:STO	0.6	-	-	0.25	-	-	μs
Data Out Hold Time	tDH	50	-	-	50	-	-	ns
Write Cycle Time	tWR	-	3.5	5	-	3.5	5	ms
5.0V, 25°C, Byte Mode(1)	Endurance	4M	-	-	4M	-	-	Write Cycle

Table 6

Notes:

- This parameter is characterized and is not 100% tested.
- AC measurement conditions:
 RL (connects to VCC): 1.3 k
 Input pulse voltages: 0.3 VCC to 0.7 VCC
 Input rise and fall time: 50 ns
 Input and output timing reference voltages: 0.5 VCC
 The value of RL should be concerned according to the actual loading on the user's system.

AT24C1024 1M bits

(131,072×8)Bus Timing

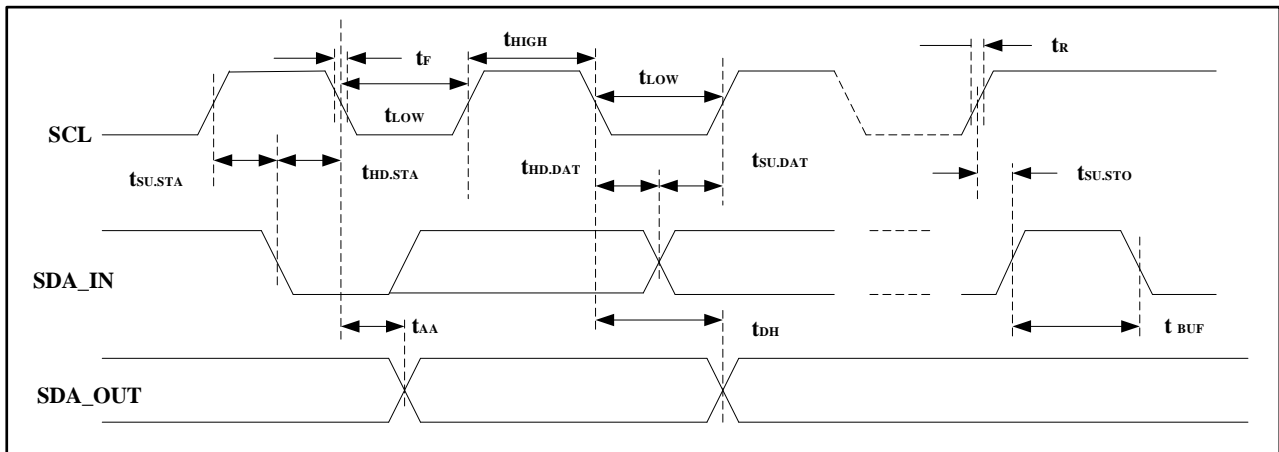


Figure 11. SCL: Serial Clock, SDA: Serial Data I/O

Write Cycle Timing

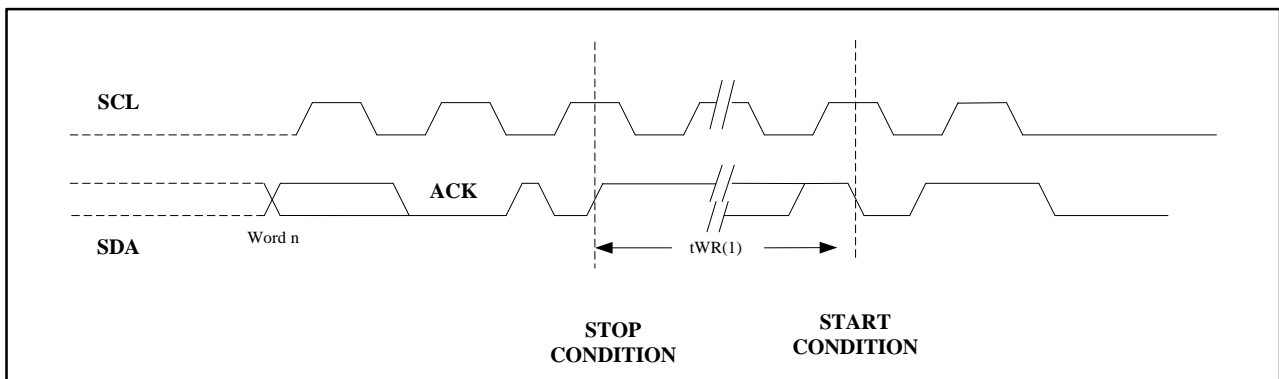


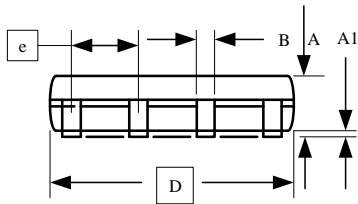
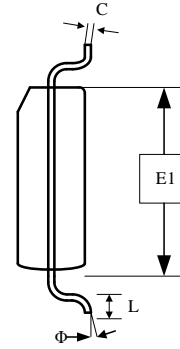
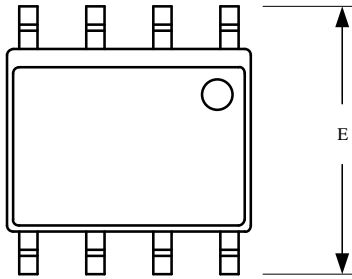
Figure 12. SCL: Serial Clock, SDA: Serial Data I/O

Notes:

The write cycle time t_{WR} is the time from a valid stop condition of a write sequence to the end of the internal clear/write cycle.

AT24C1024 1M bits

(131,072×8)Package

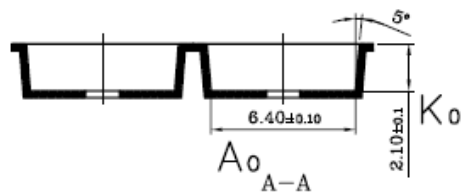
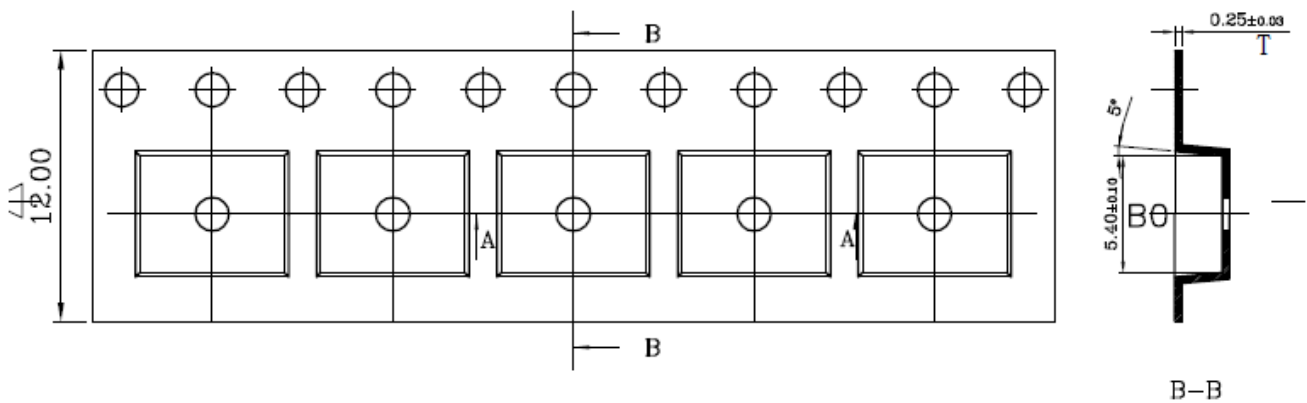
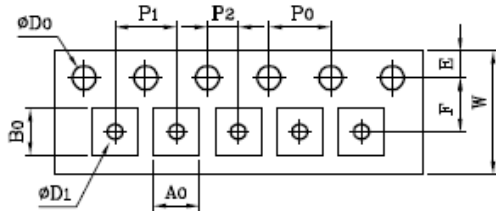
Information
SOP

COMMON DIMENSIONS
(Unit of Measure=mm)

SYMBOL	MIN	NOM	MAX
A	1.35	-	1.75
A1	0.10	-	0.23
B	0.39	-	0.48
C	0.21	-	0.26
D	4.70	4.90	5.10
E1	3.70	3.90	4.10
E	5.80	6.00	6.20
e	1.27BSC		
L	0.50	-	0.80
Φ	0"	-	8"

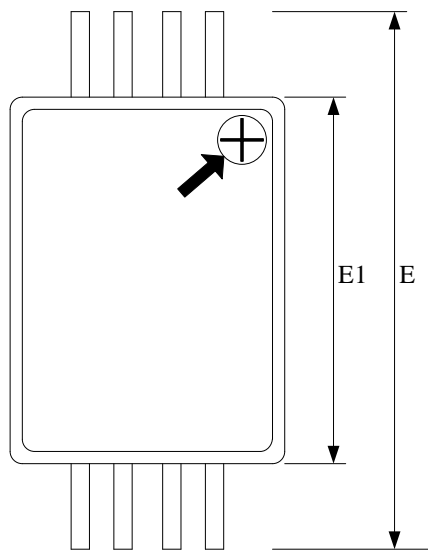
AT24C1024 1M bits (131,072×8)

產品尺寸規格 (UNIT:mm)

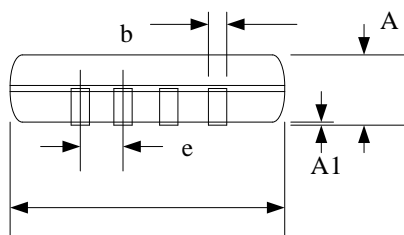
規格	W	P1	E	F	D0	D1	P0	P2	10P0
尺寸規格	12.0 ^{+0.30} _{-0.10}	8.0±0.1	1.75±0.1	5.5±0.05	1.5 ^{+0.10} ₋₀	1.5 ^{+0.25} ₋₀	4±0.1	2±0.05	40±0.2
尺寸	A0	A1	B0	B1	K0	K1	T		
尺寸	6.40±0.10		5.40±0.10		2.10±0.10		0.25±0.03		



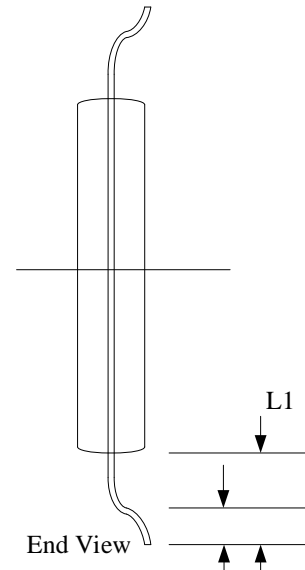
AT24C1024 1M bits (131,072×8)

TSSOP


Top View



Side View



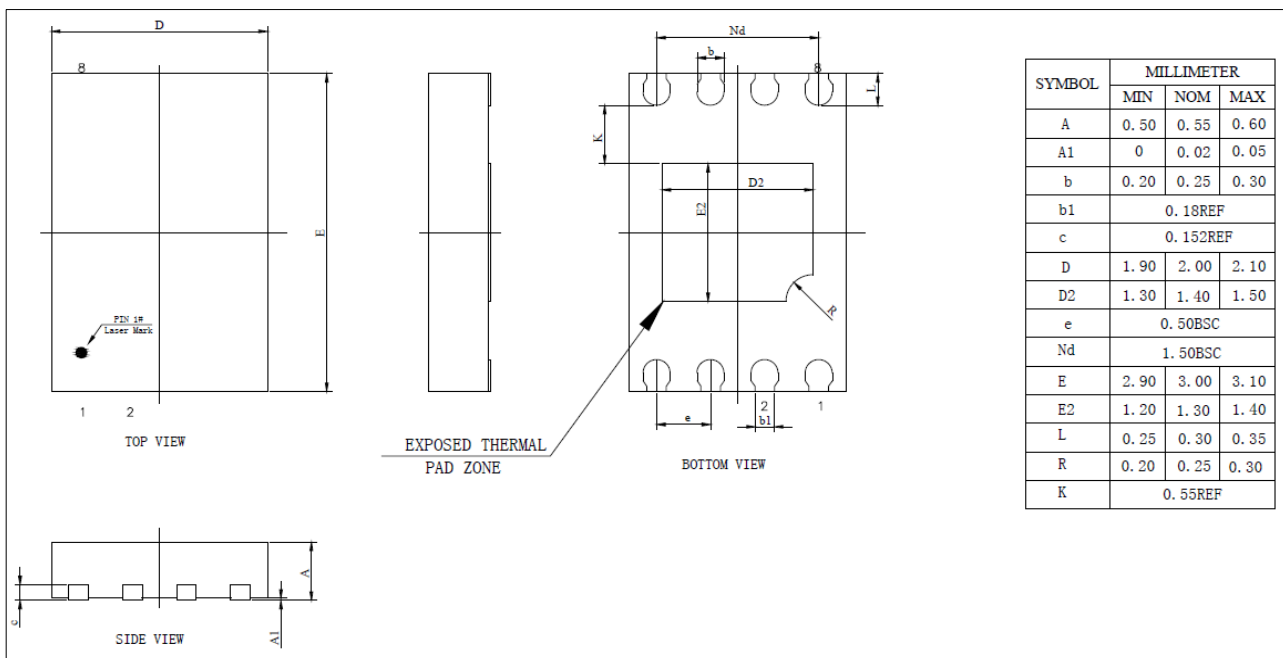
End View

COMMON DIMENSIONS
Unit of Measure=mm

SYMBOL	MIN	NOM	MAX
D	2.90	3.00	3.10
E	6.20	6.40	6.60
E1	4.30	4.40	4.50
A	-	-	1.20
A1	0.05	-	0.15
b	0.21	-	0.30
e	0.65BSC		
L	0.45	0.60	0.75
L1	1.00REF		

AT24C1024 1M bits

(131,072×8)UDFN

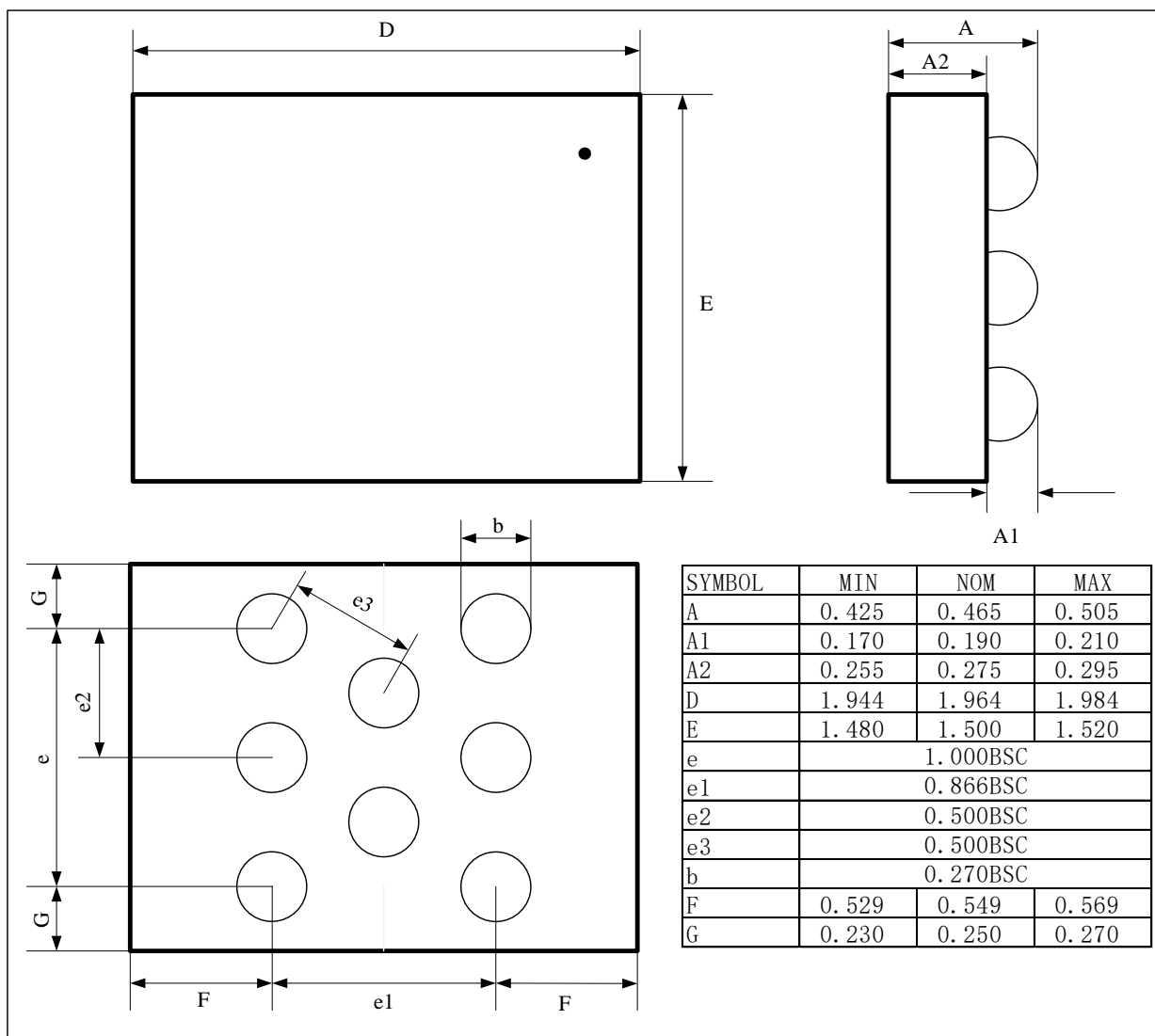


重要通知与免责声明

深圳市钨地半导体有限公司将准确可靠地提供技术和可靠性数据（包括数据表）、设计资源（包括参考设计）、应用或其他设计建议、WEB工具、安全信息和其他资源，但不保证任何缺陷，一切以实物测试为准，并且不作任何明示或暗示的保证，包括但不限于对适销性的暗示保证、对特定目的适用的暗示保证或不侵犯任何第三方知识产权的暗示保证。

这些资源旨在为使用钨地产品的熟练开发人员提供支持：（1）为您的应用程序选择合适的产品；（2）设计、验证和测试您的应用程序；（3）确保您的应用程序符合适用的标准和任何其他安全、安保或其他要求；（4）钨地和钨地标志是钨地半导体的注册商标。所有商标均为其各自所有者的财产；（5）有关更改详情，请查阅任何修订文件中包含的修订历史记录。资源可能会在不通知的情况下更改。我公司将不对使用此产品及其使用而导致的专利或第三方知识产权的侵权负责。

WLCSP



WLCSP

重要通知与免责声明

深圳市钜地半导体有限公司将准确可靠地提供技术和可靠性数据（包括数据表）、设计资源（包括参考设计）、应用或其他设计建议、WEB工具、安全信息和其他资源，但不保证任何缺陷，一切以实物测试为准，并且不作任何明示或暗示的保证，包括但不限于对适销性的暗示保证、对特定目的适用的暗示保证或不侵犯任何第三方知识产权的暗示保证。

这些资源旨在为使用钜地产品的熟练开发人员提供支持：（1）为您的应用程序选择合适的产品；（2）设计、验证和测试您的应用程序；（3）确保您的应用程序符合适用的标准和任何其他安全、安保或其他要求；（4）钜地和钜地标志是钜地半导体的注册商标。所有商标均为其各自所有者的财产；（5）有关更改详情，请查阅任何修订文件中包含的修订历史记录。资源可能会在不通知的情况下更改。我公司将不对使用此产品及其使用而导致的专利或第三方知识产权的侵权负责。